



BETTCHER Industries, Inc.

Operating Instructions & Parts List for the



Manual# 101300

Issued: April 16, 2013

TMC# 821

For Assistance:

e-mail: quantum@bettcher.com

BETTCHER INDUSTRIES INC.

6801 State Route 60

Birmingham, OH 44889

U.S.A.

Phone: 440/965-4422

Phone: 800/321-8763

Fax: (440) 328-4535

www.bettcher.com/quantum

Information in this document is subject to change without notice.

No part of this document may be reproduced or transmitted in any form or any means, electronic or mechanical, for any purpose, without the express written permission of Bettcher Industries Inc.

Written permission to reproduce in whole or part is herewith granted to the legal owners of the Whizard Quantum[®] Trimmers with which these Operating Instructions have been supplied.

Operating Instructions in other languages are available on request. Additional copies of Operating Instructions are available by calling or writing your Regional Manager, or by contacting:

BETTCHER INDUSTRIES, INC.
6801 State Route 60
Birmingham, OH 44889
U.S.A. Telephone: 440/965-4422
(In The U.S.A.): 800/321-8763
Fax: 440/328-4535

<http://www.bettcher.com>

The Information Provided In These Operating Instructions Is
Important To Your Health, Comfort And Safety.

For Safe And Proper Operation, Read This Entire Manual
Before Using This Equipment.



Copyright © 2013 By Bettcher Industries, Inc.
All Rights Reserved.
Original Instructions

Table of Contents

Section 1	<i>Safety</i>
Section 2	<i>Designated Use</i>
Section 3	<i>Installation</i>
Section 4	<i>Instructions for Operation</i>
Section 5	<i>Maintenance</i>
Section 6	<i>Cleaning</i>
Section 7	<i>Service Parts</i>
Section 8	<i>Contact and Document Information</i>

Section 1

Safety

CONTENTS OF THIS SECTION

Signal Words & Signal Word Panels	1-2
Safety Symbols	1-3
Safety Recommendations and Warnings	1-4
Safety Features	1-6
Ergonomic Features	1-6
Noise and Vibration Levels	1-6



The information provided in these operating instructions is important to your health, comfort and safety. For safe and proper operation, read this entire manual before using this equipment.

Please read and save these instructions. Read carefully before attempting to assemble, install, operate or maintain this product. Protect yourself, others and equipment by observing all safety information. Failure to comply with instructions could result in personal injury and/or damage to the equipment. Any use in applications other than those for which the equipment was designed and built may result in equipment damage and/or serious injuries.

Retain this manual for future reference. Be thoroughly familiar with the controls and proper use of this equipment.

The manufacturer assumes no liability for any unauthorized changes in operating procedures or for unauthorized changes or modifications made to the design of the machine or any factory-installed safety equipment, whether these changes are made by the owner of this equipment, by his employees, or by service providers not previously approved by Bettcher Industries, Inc.

SIGNAL WORDS & SIGNAL WORD PANELS



Indicates a hazardous situation that, if not avoided, will result in death or serious injury.
(The signal word **Danger** is in white letters on a safety red background)



Indicates a hazardous situation that, if not avoided, could result in death or serious injury.
(The signal word **WARNING** is in black letters on a safety orange background)



Indicates a hazardous situation that, if not avoided, could result in minor or moderate injury.
(The signal word **CAUTION** is in black letters on a safety yellow background)



NOTICE

Indicates information considered important, but not hazard-related (e.g. messages relating to property damage).
(The signal word **NOTICE** is in italicized, white letters on a safety blue background)

The signal word definitions provided, comply with the American National Standard for Product Safety Information in Product Manuals, Instructions, and Other Collateral Materials (ANSI Z535.6-2011).

This technical manual is printed in black and white.

SAFETY SYMBOLS



The safety alert symbol indicates a potential personal injury hazard. It is not used for messages related to property damage. The safety alert symbol may be used alone or in conjunction with a signal word in a signal word panel



Danger of electrical shock



Blade hazard, keep hands clear



Read operator's manual



Protective safety gloves must be worn

Symbols are harmonized with ANSI Z535.4 and ISO 3864-2 standards. Warning symbols are presented on a safety yellow background. Mandatory action symbols are presented on a safety blue background.

This technical manual is printed in black and white.

SAFETY RECOMMENDATIONS AND WARNINGS

 **WARNING**

The manufacturer assumes no liability for any unauthorized changes in operating procedures or for unauthorized changes or modifications made to the design of the machine or any factory-installed safety equipment, whether these changes are made by the owner of this equipment, by his employees, or by service providers not previously approved by Bettcher Industries, Inc.

Use only replacement parts manufactured by Bettcher Industries, Inc. Use of substitute parts will void the warranty and may cause injury to operators and damage to equipment.

The use of parts other than those listed in the parts list for the specific model may cause blade lock-up, resulting in an unsafe operating condition.

 **WARNING**

Sharp blades may cause cut injury!



For proper protection of hands, a protective glove should be used when operating this equipment and during the handling of blades. Metal mesh gloves are recommended for the free hand.

Keep hands away from moving blade.

 **WARNING**

To avoid personal injury, always disconnect the power cord before performing any adjustments, disassembly/assembly, troubleshooting or cleaning.

All electrical repairs should be completed by a qualified electrician or approved service provider.

Always turn off the Whizard Quantum[®] Drive Unit and place the handpiece in the hanger bracket. Never lay the handpiece down on the workstation or let it hang free by the Whizard Quantum[®] Driveline. Never place the handpiece in the hanger while the blade is still revolving.

Always disconnect the power and remove the tool from the driveline prior to servicing.

SAFETY RECOMMENDATIONS AND WARNINGS (CONTINUED)

 **WARNING**

If at any time this machine does not appear to operate normally or exhibits a marked change in performance, it should be immediately shut down, unplugged, and tagged as “UNSAFE” until such time as proper repairs are made and the machine again operates normally.

 **WARNING**

Avoid use of this machine in standing water.



 **WARNING**

Long or repeated use of various power tools vibrating excessively is suspected of contributing to certain hand, wrist or forearm disorders in susceptible individuals. If excessive vibration occurs, it is an indication that there are worn parts that need replacement.

If your Whizard Quantum[®] Trimmer develops unusual vibration, do not continue to use it without first undertaking corrective action as outlined in the troubleshooting guide in this operating instruction.

SAFETY FEATURES

All Whizard Quantum[®] tools have been designed for use with an optional disconnect which will stop blade rotation when the trigger/lever is released. This trigger/lever has been designed in such a way that minimal grip force is required for operation, using three fingers.

ERGONOMIC FEATURES

Small, Medium, and Large Handle sizes are available to help improve the operator's grip and comfort. Fitting the correct size handle to the worker's hand is a very important step. Whizard Quantum[®] tools can be configured in both right and left handed configurations.

Optional Thumb Support - An adjustable thumb support is available to ensure a proper and comfortable fit while providing added control and stability of the tool during use.

Whizard[®] Micro- Break Hand Strap - This strap has been designed to allow the user to relax the fingers between work cycles while maintaining control of the trimmer. This is beneficial to the operator to reduce exposure to mechanical stresses.

NOISE AND VIBRATION LEVELS

Forces applied by the worker are greatly reduced via the drive motor and limited to guiding the rotating knife blade.

The noise emission value is less than 70 dB(A)

Vibration of the handpiece is less than 1 m/sec²

No negative side effects have been reported

Section 2

Designated Use

CONTENTS OF THIS SECTION

Designated Use	2-2
Machine Specifications	2-2
Recommended Operation	2-3
Function	2-8



The manufacturer assumes no liability for any unauthorized changes in operating procedures or for unauthorized changes or modifications made to the design of the machine or any factory-installed safety equipment, whether these changes are made by the owner of this equipment, by his employees, or by service providers not previously approved by Bettcher Industries, Inc.

Use only replacement parts manufactured by Bettcher Industries, Inc. Use of substitute parts will void the warranty and may cause injury to operators and damage to equipment.

The use of parts other than those listed in the parts list for the specific model may cause blade lock-up, resulting in an unsafe operating condition.

DESIGNATED USE

The Whizard Quantum[®] Trimmers are specifically designed for use with the Whizard Quantum[®] Drive Unit. They are used for removal of fat and tissue, the recovery of lean meat from fat and as a universal cutting tool in the meat industry. **WARNING!** Any use in applications other than those for which the Whizard Quantum[®] Trimmer was designed and built may result in serious injuries.

MACHINE SPECIFICATIONS

Bettcher Quantum[®] Trimmers are highly effective for use in the meat industry, designed with the highest possible standards for safety, ergonomics and production. These versatile machines, with their carefully engineered and durable cutting edge, bring uniformity and consistent yield control to all operations. This Operating Instruction covers the following models:

MODEL	USE
Q350	Bone Trimmer
Q360	Bone Trimmer
Q440	Bone Trimmer
Q500	Bone Trimmer
Q505A	Bone Trimmer
Q505	Defatting Machine
Q620	Bone Trimmer
Q620A	Bone Trimmer
Q625	Defatting Machine
Q750	Bone Trimmer
Q850	Defatting Machine
Q880 (B & S)	Primal Fat Shaper
Q1850	Defatting Machine
Q1880	Primal Fat Shaper
Q1000	Defatting Machine
Q1300	Primal Fat Shaper
Q1400	Ham Finisher
Q1500	Skinning Machine

RECOMMENDED OPERATION

Whizard Quantum[®] Trimmers are made for several recommended operations. Ensure that you are using the correct tool for your specific application. The following recommendation list is not intended to be a total and comprehensive listing, but is offered as a guide. Additional applications are possible.

Model Q350 / Q360

BEEF KILL / OFFAL	POULTRY	PORK KILL / OFFAL
Cartilage removal Liver spotting Bone trimming Strip intestine	Turkey: breast, necks, thighs, cage Chicken backs Oil sacks	Button bones Bone trimming Spotting livers / Removing gall sacks

Model Q440

POULTRY
Chicken wing drop Chicken thigh deboning Turkey thigh/knuckle deboning

Model Q500 / Q500A

POULTRY	PORK KILL	PORK CUT
Turkey thigh knuckles INDUSTRIAL Foam Industry	Trim pork snouts Trim port trachea Trim pork heads	Remove lean from neck bones of heavy hogs Remove tails from heavy hogs Removing 99% picnic muscle from bellies Removing pork tenderloins

Model Q505

POULTRY	BEEF BONING/FABRICATION
Turkey thigh trim	Removing lean from fat generated in fabrication



RECOMMENDED OPERATION (CONTINUED)

Model Q620 / Q620A

BEEF KILL / OFFAL	POULTRY	PORK KILL / OFFAL
Removing lean from heads De-veining livers	Removing lean from turkey carcasses Removing lean from turkey necks Removing oil sacks	Removing eyelids Cleaning stick wounds Removing eardrums Removing lean from heads Spotting livers / removing gall sacks

BEEF BONING / FABRICATION	PORK CUT
Removing lean from bones, especially: Neck bones - atlas bones Chine bones from strips or rib eyes Pelvic bones / aitch bones Rib cages Blade bones Strip bones Feather bones	Trimming neck bones Removing lean from bones Removing tails

Model Q625

BEEF	POULTRY	PORK
Upgrading Retrim	Fat trimming of turkey thighs Trimming of turkey skins	Fat trimming of pork loins

RECOMMENDED OPERATION (CONTINUED)

Model Q750

FOAM INDUSTRY	PORK KILL	PORK CUT
Remove defects Flash trimming	Remove cheek meat Remove blood clots from jowls	Remove diaphragm lean Removal of picnic hearts

Model Q850/Q1850

BEEF	POULTRY	PORK PROCESSING
Recover lean from fat Trim lean from rib caps Trim beef tripe	Defatting turkey skins Defatting turkey thighs	External ham defatting Internal ham defatting Defat pork loins Remove oyster meat *PORK KILL Removing leaf lard

Model Q880-B/Q1880 With Adjustable Depth Gauge

BEEF BONING/FABRICATING
Removing dirt and hair Slaughter floor Prior to loading Upon receiving Prior to fabrication Final trim on primal fat shaping



RECOMMENDED OPERATION (CONTINUED)

Model Q880-S/Q1880 with adjustable depth gauge

HOG KILL / HOT CUT / HAM PROCESSING	TOP ROUNDS / BOTTOM ROUNDS / BRISKETS / CUBE STEAK MATERIAL	TURKEY
Remove skin or hair patches Trimming pork loins and Canadian backs Internal and external defatting of hams	Removing membranes and light fat covering	Defatting turkey thighs

Model Q1000

HOG CUT	BEEF SLAUGHTER
Defat hams, picnics and butts Removing lean from: Picnic Face - Fat Backs Clear Plates - Bootjack Jowls shoulder end of belly Belly (Wire muscle - Pickle pocket) Plate Trim	Defatting hot beef externally and internally Kidney fat, heart fat, pelvic fat and cod fat

Model Q1300

BEEF KILL	BEEF BONING / FABRICATION	HAM BONING
Pizzle cord removal Removing external fat	Primal Fat Shaping: Strips Sirloin Butts Ribs Defat navels (Pastrami)	External defat of hams External defat of pork shoulders

RECOMMENDED OPERATION (CONTINUED)

Model Q1400 with adjustable depth gauge

PORK PROCESSING	BEEF PROCESSING
Defatting: <ul style="list-style-type: none">- Whole hams- Shoulders- Canadian Backs Removing beater marks Scraping leaf lard	Carcass hair & dirt removal Defatting: <ul style="list-style-type: none">- New York strips & sirloin butts- Rounds and ribeyes

Model Q1500 with adjustable depth gauge

PORK PROCESSING	BEEF SLAUGHTER
Removing skin patches from bellies Defatting: <ul style="list-style-type: none">- Whole hams- Pork loins	Defatting hot beef externally Hair and dirt removal



FUNCTION

Whizard Quantum[®] Trimmers are durable and efficient, promoting higher yields for meat and poultry trimming. Whizard Quantum[®] Trimmers are superbly designed for ease of handling while reducing operator fatigue.

A vertically hung motor drives a flexible shaft. The flexible shaft drives a rotating blade in the handpiece via a gear and pinion. Forces applied by the worker are greatly reduced via the drive motor and limited to guiding the rotating knife blade.

Section 3

Unpacking and Installation

CONTENTS OF THIS SECTION

Contents	3-2
Work Station	3-3
Optional Thumb Support and Handle Adjustment	3-4
Optional Whizard® Micro-Break Hand Strap and Adjustment	3-7
Optional Disc Gauge or Depth Gauge Installation	3-8
Optional Post Handle Kit	3-9
Attaching Whizard Quantum® Trimmer to the Whizard Quantum® Driveline	3-10
The Disconnect Casing	3-10
Non-Disconnect Models	3-11
Attaching Whizard Quantum® Driveline to the Whizard Quantum® Drive Unit	3-12
Preparation for Operation	3-13

CONTENTS

The following parts are included with each Whizard Quantum[®] Trimmer. Please check when unpacking and advise your local Bettcher Industries representative if the delivery is incomplete.

Models Q350, Q360, Q440, Q500, Q500A, Q505, Q620, Q620A, Q625

PART NUMBER	DESCRIPTION	QTY
100641	Whizard [®] Special Steel	1
100655	Special Stone for Sharpening	1
102609	13.5 oz. Cartridge of Whizard Quantum [®] High Performance Grease	1
101300	Operating Instructions & Spare Parts List	1

Models Q750, Q850, Q880, Q1850, Q1880, Q1000, Q1300, Q1400 and Q1500

PART NUMBER	DESCRIPTION	QTY
100642	Whizard [®] Special Steel	1
100660	Special Stone for Sharpening	1
102609	13.5 oz. Cartridge of Whizard Quantum [®] High Performance Grease	1
101300	Operating Instructions & Spare Parts List	1

WORK STATION

NOTICE

Correct installation is extremely important to achieve maximum efficiency for both the Whizard Quantum[®] Trimmer unit being used and the operator. Incorrect installation may possibly hamper the operator's movements and cause undue wear or damage to the driveline and parts of the unit.

The work station for each operator should be designed so that the operator's movements in performing the job are natural and easy. A sideways sweeping motion with the Whizard Quantum[®] Trimmer is preferable to a reaching motion. Long reaching motions and high muscle strain should be avoided if possible. Also, a proper working height is needed to avoid excessive shoulder and back exertion.

CAUTION

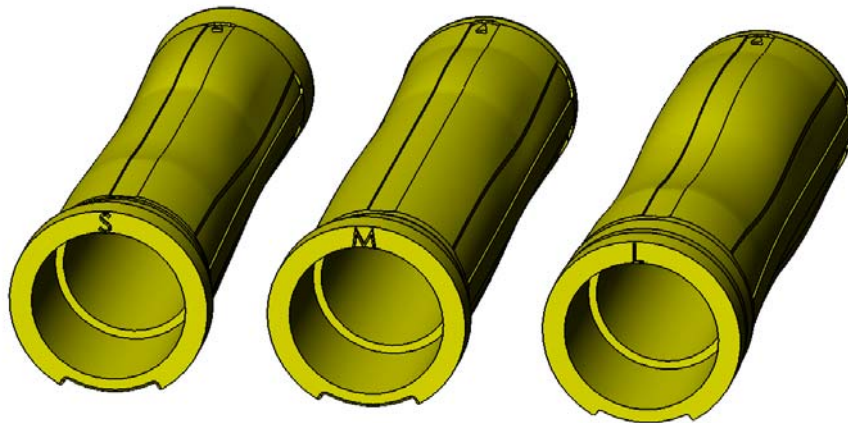
Improperly hung drive units may result in excessive operator effort & decrease in mobility. Increased fatigue & loss of efficiency may occur.

Refer to the Whizard Quantum[®] Drive Unit Manual for instructions on the proper placement and installation of the Whizard Quantum[®] Drive Unit.

OPTIONAL THUMB SUPPORT AND HANDLE ADJUSTMENT

Your Whizard Quantum[®] Trimmer has been supplied with a spacer ring or optional thumb support. If using the optional thumb support, the operator's thumb should be fully supported and rest comfortably in the support. The thumb support has been optimized to fit most hands comfortably.

Fitting the correct size handle to the grip of an operator's hand is a very important step when trying to reduce risks associated with cumulative trauma disorders. **NOTE:** *S, M, L markings on handle.*



Here is a very simple procedure to determine correct handle size:

STEP 1 - Assemble three (3) knives each with a different size handle.

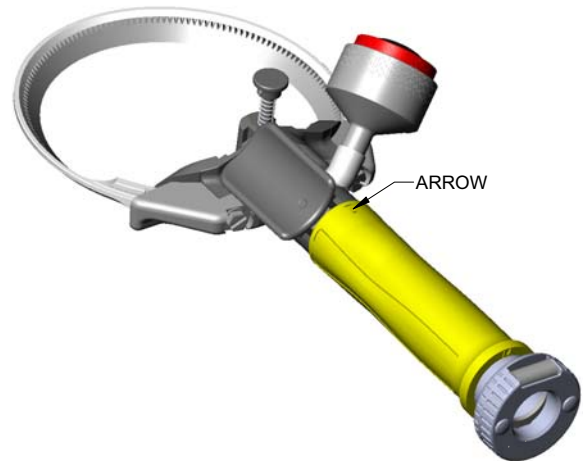
STEP 2 - Allow the user to hold the knife and apply the grip pressure normally used during the job operation.

NOTE: *If the operator normally wears a glove, this process should be done with all the gloves used in normal operation.*

The operator should choose the handle that is most comfortable. Allow the operator to work with this handle on a tool for several days. If the operator is not comfortable with the handle selection, allow the operator to try a different size.

OPTIONAL THUMB SUPPORT AND HANDLE ADJUSTMENT (CONTINUED)

The Whizard Quantum[®] Trimmers have been designed to allow the head of the tool and the thumb support to be rotated relative to the handle. In this way, the tool can be adjusted to position the blade properly to the product while the handle can be set to allow the operator to have a comfortable position for the wrist.



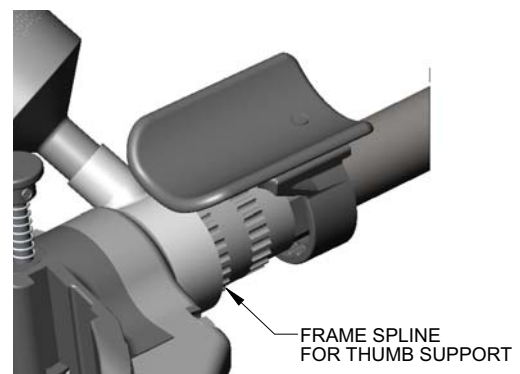
The position which is selected will vary based on the individual work station, product, and operator. To determine the proper position, it will be necessary to observe the operator while trying various positions. Select the position in which the operator's wrist appears to maintain the most neutral position and which is comfortable to the operator.

STEP 1

- Pick up the Whizard[®] Trimmer.
- Loosen the handle retaining knob enough to be able to pull the handle back far enough to disengage it from the frame splines.

STEP 2

- Pull the thumb support back to disengage it from the frame splines.
- Rotate the thumb support to a new position and push it forward to engage the frame splines.



OPTIONAL THUMB SUPPORT AND HANDLE ADJUSTMENT (CONTINUED)

NOTE: It may be necessary to rotate the grease cup to a new position to adjust the thumb support to the desired position.

- Rotate the handle to a new position and push it forward to engage the frame splines.

NOTE: The handle can be adjusted to suit the operator and the work station by pulling the handle back away from the frame and re-locating it on another set of notches on the frame tube.

STEP 3

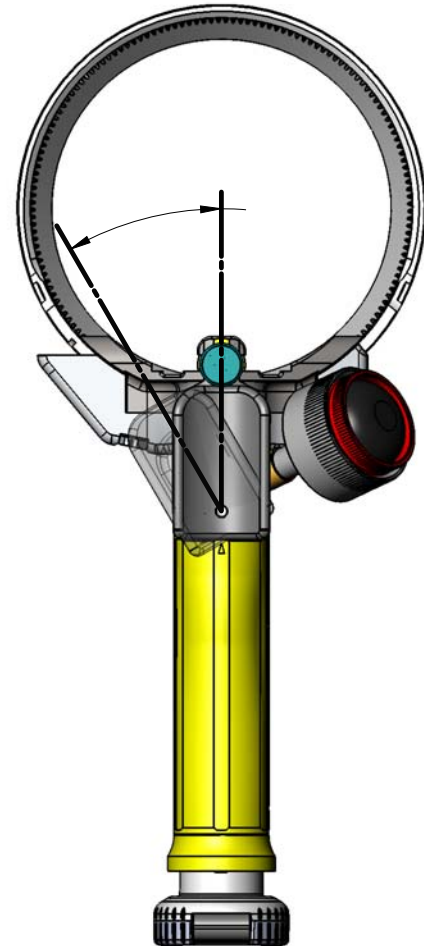
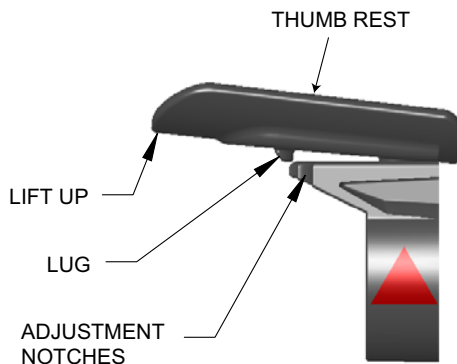
- Tighten the handle retaining knob.

NOTICE

Tighten firmly but take care not to overtighten or the handle will be damaged.

Thumb Support Angle Adjustment

- Lift up on the front of the thumb support until the lug comes out of the notch underneath the thumb support.
- Rotate the thumb rest to a new position.
- Push the thumb rest back down to seat the lug into a new notch.



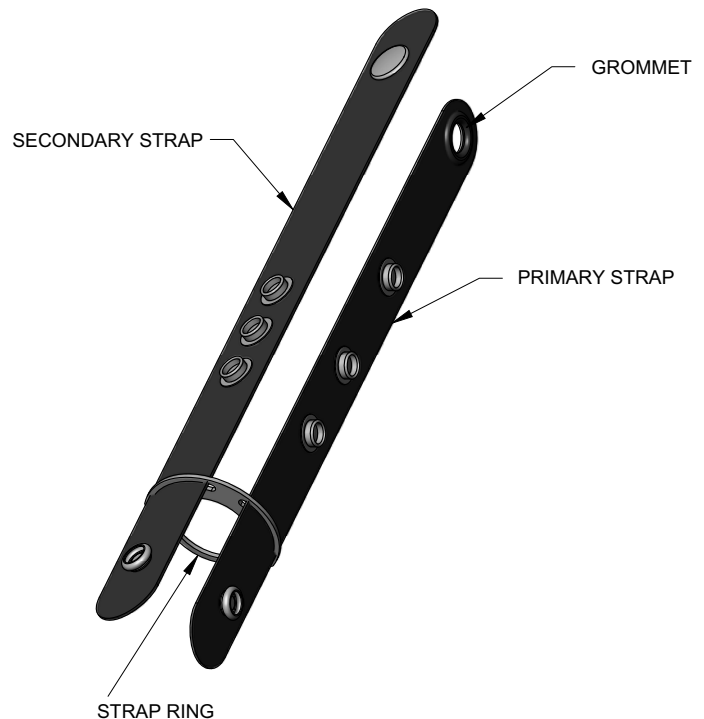
OPTIONAL WHIZARD[®] MICRO-BREAK HAND STRAP AND ADJUSTMENT

The Whizard[®] Micro-Break Hand Strap has been designed to allow the user to relax the fingers of the hand between work cycles while maintaining control of the trimmer, which can be beneficial and may reduce risks associated with stress.

The Whizard[®] Micro-Break Hand Strap comes complete with a primary and secondary strap. The straps can be adjusted for comfort by adjusting the strap length using the snap fasteners. If the secondary strap is not needed, it can be removed from the strap ring by cutting it off.

NOTE: *The primary strap has the grommet and will be placed over the threads on the grease cup.*

- Remove the grease cup and retaining knob from the tool.
- With the retaining knob removed from the handle, place the strap ring over the handle retaining knob.
- Screw on the handle retaining knob.



NOTICE

Tighten firmly but take care not to over tighten or the handle will be damaged.

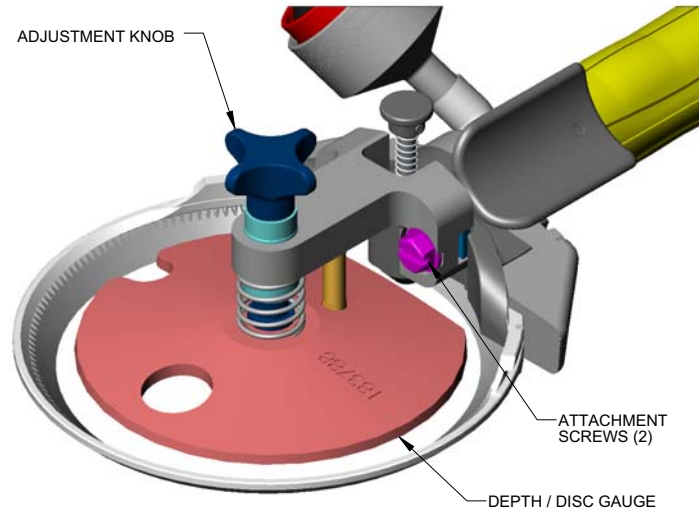
- Place the grommet of the primary strap over the threads on the grease cup.
- Thread the grease cup into the grease ring.
- Adjust the strap using the snap fasteners on the strap.
- Bring the loose end of the secondary strap across the tool and snap the secondary strap onto the snap closest to the grommet on the primary strap.

OPTIONAL DISC GAUGE OR DEPTH GAUGE INSTALLATION

Optional Disc Gauges for Models Q850, Q1850, Q1000 and Q1300

Optional adjustable disc gauges are available for the Q1000 and Q1300 trimmers. *Refer to Section 7, Service Parts to order.*

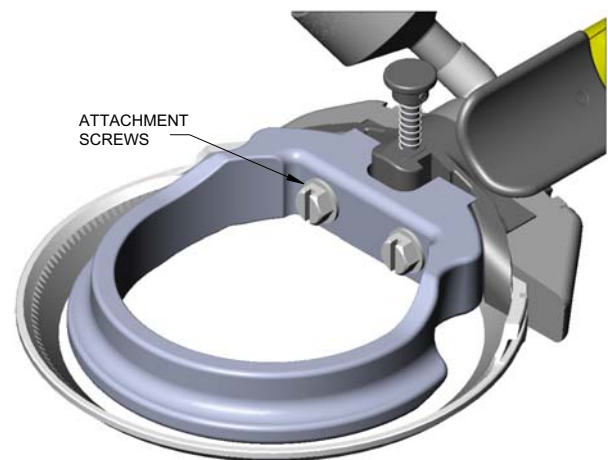
- Slide the disc gauge downward along the cover plate grooves until the disc gauge clamps catch in position.
- The final height adjustment can be made after the blade is installed.
- Tighten the two attachment screws.



Adjustable Depth Gauge for Models Q880 (S & B), Q1880, Q1400 and Q1500 Only

These tools come equipped with an adjustable depth gauge for setting a controlled product trim thickness. The depth gauge can be adjusted for cuts up to 1/4" thick. A depth gauge setting device is also available.

- Slide the depth gauge downward along the cover plate grooves until the depth gauge clamps catch in position.
- The final height adjustment can be made after the blade is installed.
- Tighten the two attachment screws.



OPTIONAL POST HANDLE KIT

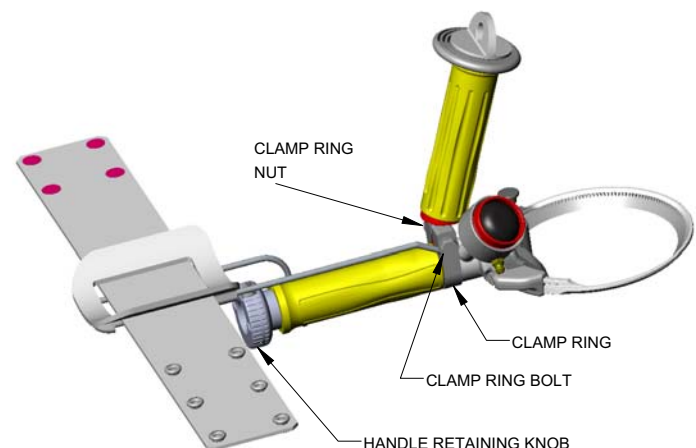
To reduce the possibility of cumulative trauma to the wrist caused by the excessive bending (Ulnar Deviation) necessary to perform certain trimming or defatting operations, a post handle option is available for all Whizard Quantum[®] Trimmers.

The post handle allows the operator to hold the tool with the wrist in a more natural, relaxed position. The operator holds this vertical handle in a more natural position for scraping-type trimming, and the assembly is also designed to let the operator relax his/her grip between cuts for added ergonomic benefit.

The universal post handle is custom-tailored to most any job by loosening a clamp ring, adjusting the vertical handle to its most comfortable position, then retightening this ring.

Side-to-Side Adjustment:

- Loosen handle retaining knob, clamp ring, bolt and nut.
- Pull the handle and clamp ring back to disengage the splines on the frame.
- Rotate the clamp ring and post handle to a new position.
- Push forward to engage the frame splines.
- Tighten the clamp ring bolt and nut and handle retaining knob.



Arm-Rest Strap Adjustment:

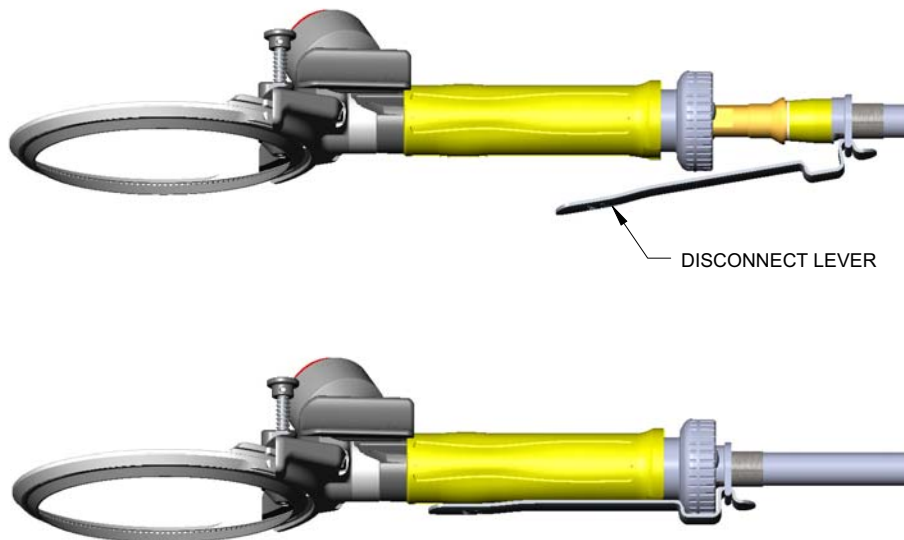
- Two adjustments are provided by the two pairs of snaps.
- Select the most comfortable position.

Contact your Regional Manager for pricing and suitability of the Post Handle for your particular application. *Refer to Section 7, Service Parts to order.*

ATTACHING WHIZARD QUANTUM[®] TRIMMER TO THE WHIZARD QUANTUM[®] DRIVELINE

The Disconnect Casing

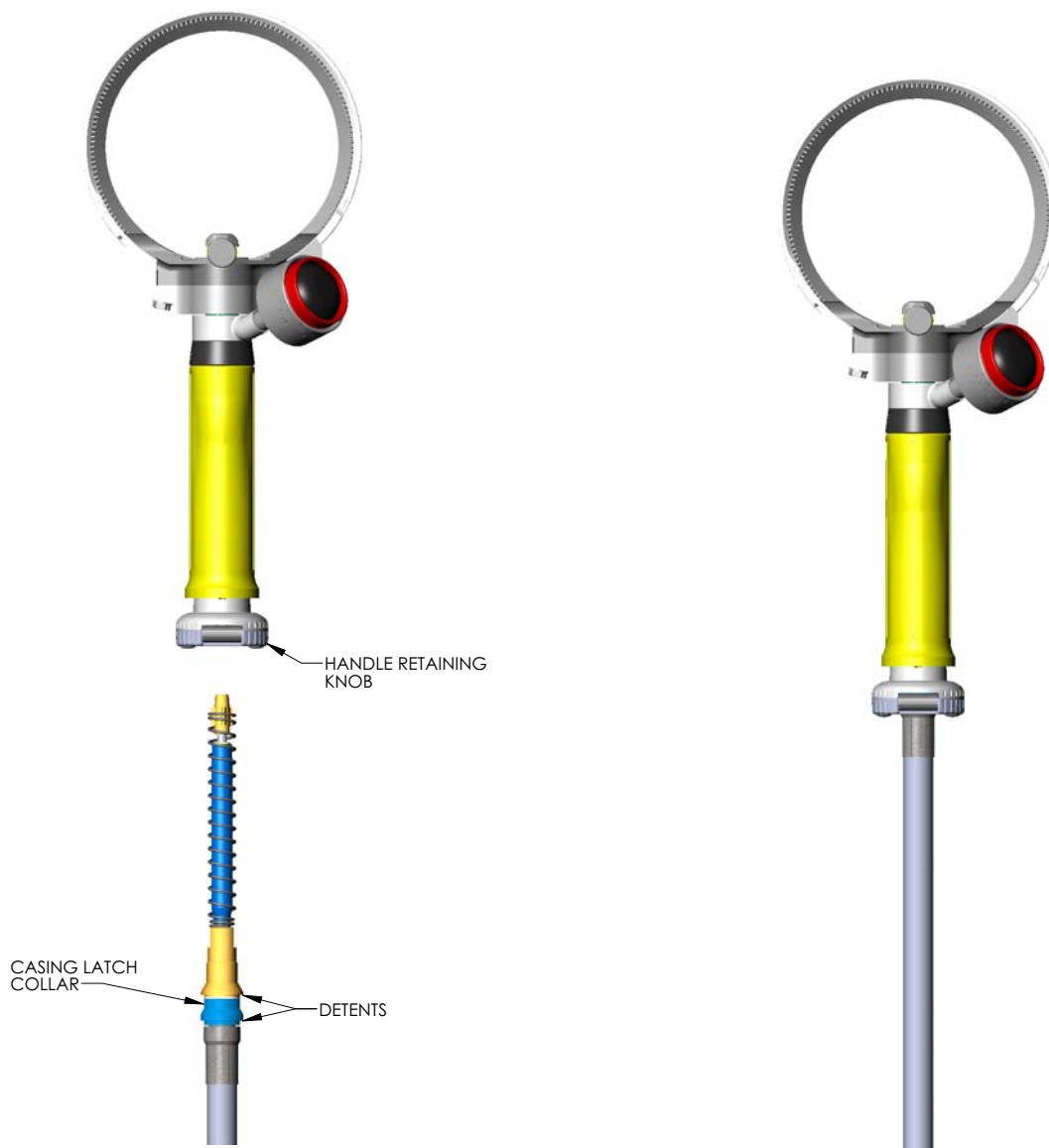
- Hold the trimmer in the hand you will use in operation, and with the other hand, grasp the casing and push it into the end of the tool through the handle retaining knob.
- Push the casing in until the latch catches the casing.
- The disconnect lever rotates freely around the handle.
- Align the disconnect lever in the notched-out area of the handle. Slightly open the fingers on the hand holding the trimmer. Push the casing inward and hold the lever down in the handle groove with the normal operating hand.
- Check to see that the lever is seated completely flat within the groove.
- Release the lever and the casing should pop out and stop the blade from turning. The motor will continue to operate.



ATTACHING WHIZARD QUANTUM[®] TRIMMER TO THE WHIZARD QUANTUM[®] DRIVELINE

Non-Disconnect Models

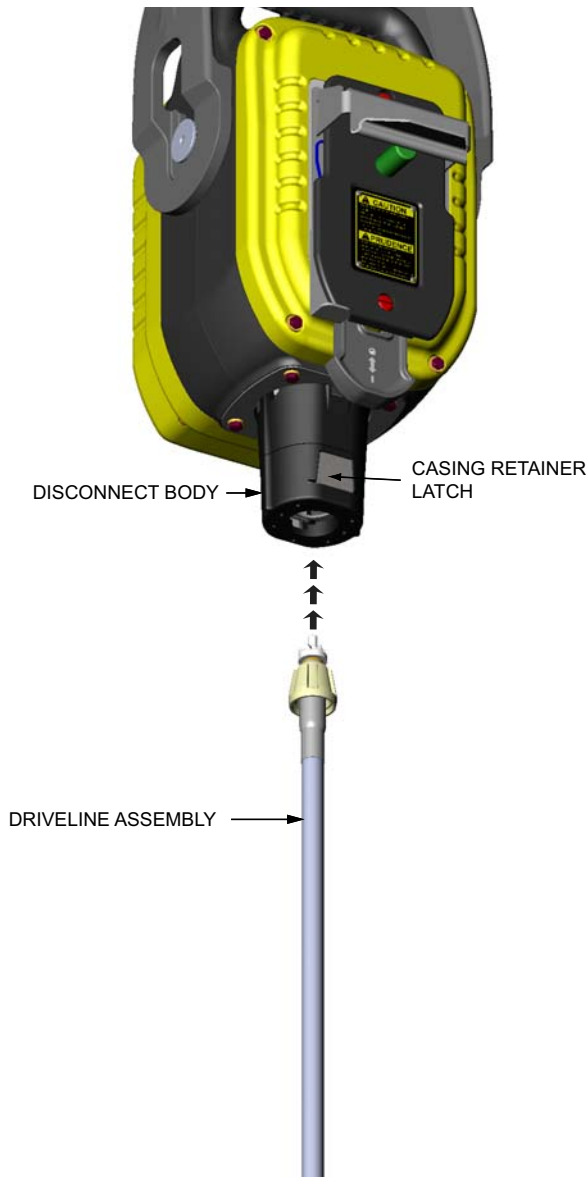
- Hold Whizard Quantum[®] Trimmer in the hand you will use in operation.
- With opposite hand, grasp the Whizard Quantum[®] Driveline and push it through handle retaining knob.
- Push driveline until both detents on casing latch collar are inserted. Two clicks (2) will be heard.



ATTACHING WHIZARD QUANTUM[®] DRIVELINE TO THE WHIZARD QUANTUM[®] DRIVE UNIT

Install Whizard Quantum[®] Driveline to Disconnect Body

Insert proper end of the Whizard Quantum[®] Driveline into disconnect body. The driveline will latch in place when fully inserted into disconnect body.



PREPARATION FOR OPERATION

 **WARNING**

Sharp blades may cause cut injury!



For proper protection of hands, a protective glove should be used when operating this equipment and during the handling of blades. Metal mesh gloves are recommended for the free hand.

ALWAYS check to ensure that the blade is free to rotate in the machine prior to starting. If the blade does not rotate, it may cause the handpiece to rotate in the hand.

Keep hands away from moving blade.

NEVER lay the handpiece down on the work station or let it hang by the driveline. Always turn off the Whizard Quantum[®] Drive Unit and place the handpiece in the hanger bracket. **NEVER** lay the handpiece down on the work station or let it hang free by the driveline. **NEVER** place the handpiece in the hanger while the blade is still revolving.

With the handpiece held in your operating hand, stand at your normal work position and move your hand and the handpiece over your normal work area to check that there are no binds or sharp bends in the Bettcher Quantum[®] Driveline.

With your other hand, turn on the Bettcher Quantum[®] Drive Unit by pulling down on the switch lever. While the blade is rotating, press the rubber cap of the grease cup on the handpiece with your thumb. Press only until a light coating of lubricant appears on the blade in the gear tooth area.

During daily use, the grease cup rubber cap should be depressed every 30 minutes. Refill when empty.

NOTICE

Whizard Quantum[®] High Performance Grease meets the standards required of previously approved H-1 lubricants for use in federally inspected meat and poultry plants. **DO NOT** use a substitute type lubricant. Use of substitute lubricants could result in damage to the unit.

THIS PAGE INTENTIONALLY LEFT BLANK

Section 4

Instructions for Operation

CONTENTS OF THIS SECTION

Operating Instructions	2
Optional Disc Gauges for Models Q850, Q1850, Q1000 and Q1300	3
Adjustable Depth Gauge for Models Q880 (S&B), Q1880, Q1400 and Q1500 Only	3
Steeling the Blade	4
Blade Changing.....	6

OPERATING INSTRUCTIONS

Always hold the handpiece of the Whizard Quantum[®] Trimmer with your thumb extended. Let the handpiece rest naturally in the palm of the hand in a relaxed manner. Each person should be allowed to hold the handpiece in a position that is most comfortable to them.

The most-used motion is a long sweeping or gliding stroke across the trimming surface. Hold the blade surface as flat to the trim surface as possible. A scooping action, such as dipping ice cream, should be used around the vertebra.

On flat bones, such as backbones or blades, use a long, quick gliding stroke.

During the cutting operation **DO NOT** try to pull the blade out of a cut. Let the blade do the work as you would any other cutting tool. Finding the proper angle for Whizard Quantum[®] Trimmer will become easy after experience and use of the tool.

As with any meat cutting tool, your speed and efficiency is only as good as the blade sharpness.

In order to achieve maximum unit and operator efficiency, it is recommended that sharp blades be installed at each shift break. For this reason, it is suggested that extra blades be kept on hand. For example, if 4 units are being used and there are 3 shift breaks, 16 blades would be required. This would provide a sharp blade for start up and one for each break.

When following this procedure, steeling of the blade is virtually eliminated, and blades need only be sharpened once a day. The blade should be stoned or sharpened on a Whizard[®] Model 210 Universal Blade Sharpener, Whizard[®] Model 214 Blade Sharpener, or Bettcher[®] AutoEdge at the end of each work day. *Refer to Section 5, Blade Sharpening.*

If blades are not changed at each shift break, it may be required to steel the blade. *Refer to Section 4, Steeling the Blade.*

OPERATING INSTRUCTIONS (CONTINUED)

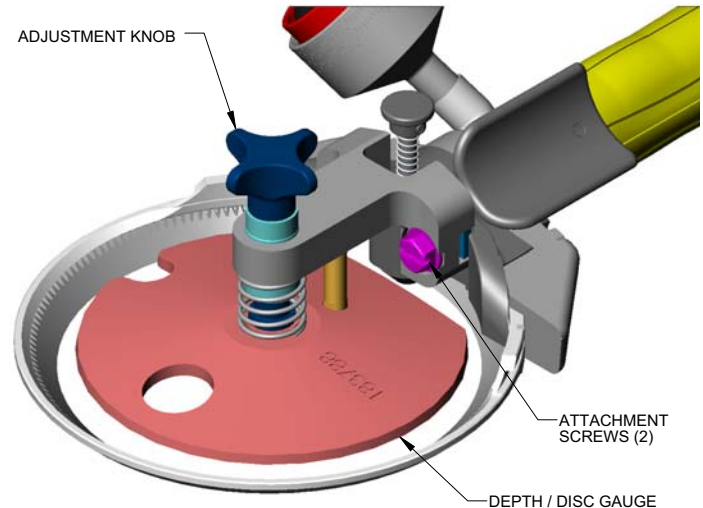
Optional Disc Gauges for Models Q850, Q1850, Q1000 and Q1300

Optional adjustable disc gauges are available for the Q1000 and Q1300 trimmers. Refer to Section 7, Service Parts to order.

To adjust depth:

- Hold the handpiece with the blade facing downward.
- Turn the adjustment knob clockwise for a thicker cut, or counterclockwise for a thinner cut.

NOTE: Take care not to turn too far as the depth control hub may disengage from the shaft.

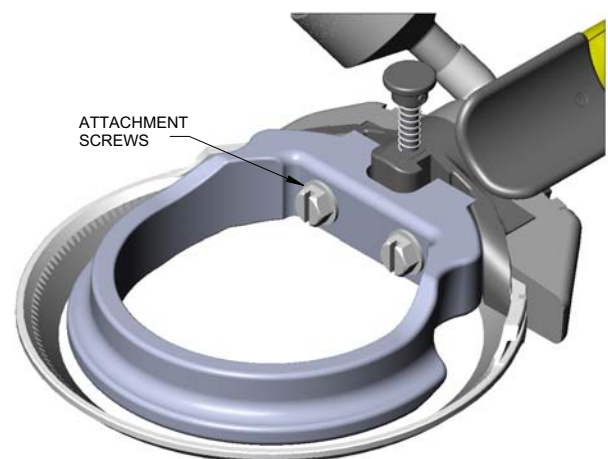


Adjustable Depth Gauge for Models Q880 (S&B), Q1880, Q1400 and Q1500 Only

These tools come equipped with an adjustable depth gauge for setting a controlled product trim thickness. The depth gauge can be adjusted for cuts up to ¼" thick. A depth gauge setting device is also available.

To adjust depth:

- Hold the handpiece with the blade facing downward.
- Loosen the attachment screws at the base of the plastic depth gauge.
- Adjust the gauge setting by sliding it up or down to the desired height.
- Retighten the attachment screws.



STEELING THE BLADE

Use the Whizard Special Steel anytime you feel the edge of the blade needs to be raised for better cutting action.

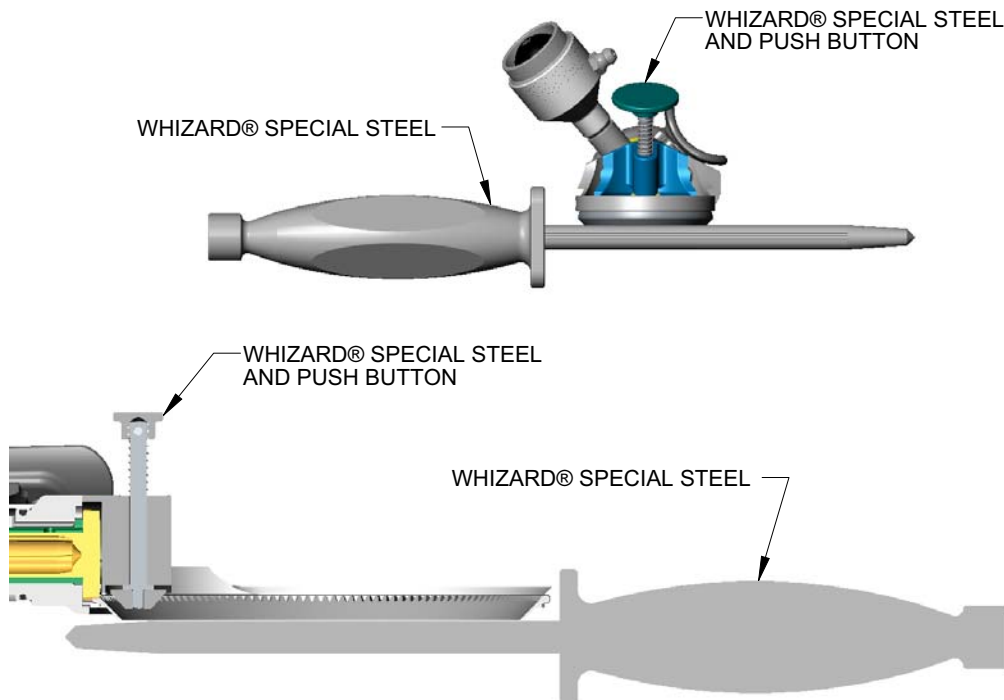
Steeling For Model Q360, Q505, Q625, Q850, Q880, Q1850, Q1880, Q1000, Q1300, Q1400 and Q1500

Use the Whizard® Special Steel against the flat ground surface on the outside surface of the blade. Be sure to hold the "steel" flat and across the centerline of the blade to prevent "rounding off" or rolling of the edge.

The **INSIDE** edge of the blade should be steeled only with the Special Steeling Device mounted on the inside diameter of the blade housing. This is accomplished as follows:

- Hold the Whizard Special Steel on the bottom edge of the blade and the handpiece in your normal operating hand with the blade down, or away from you.
- With your thumb, lightly push down on the push button of the steeling device. **DO NOT** hold the steeling device against the rotating blade steadily, but rather lightly contact the blade edge.

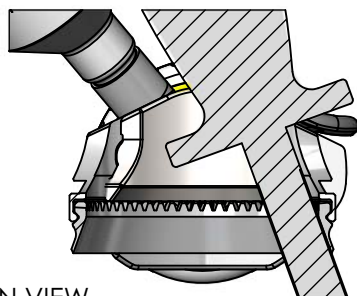
Replace or sharpen the blade if this procedure does not improve the cutting action.



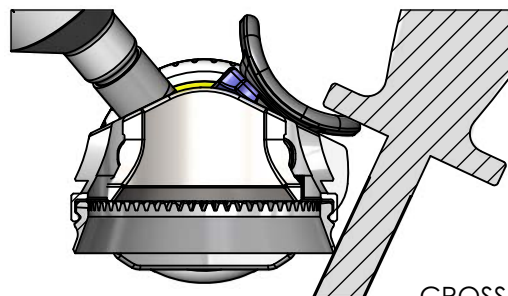
STEELING (CONTINUED)

Steeling For Models Q350, Q440, Q500, Q620, Q620A, Q750

Be sure to hold the steel at the actual angle of the blade edge. Running the steel at an angle greater than the factory ground angle will round over the edge and make resharpening more difficult.



CROSS-SECTION VIEW
OF STEELING INSIDE
BLADE EDGE



CROSS-SECTION VIEW
OF STEELING OUTSIDE
BLADE EDGE

Use the steel lightly and always make the last pass of the steel on the blade on the inside surface of the blade.

Steeling can be accomplished with much greater consistency with the use of the specially designed Whizard[®] Edge Master Steels. For more information contact your Sales Representative at Bettcher Industries. *Refer to Section 7, Blade Sharpening and Steeling Equipment.*

Replace or sharpen the blade if this procedure does not improve the cutting action. Blade running time can be extended with the use of Bettcher[®] EZ Edge sharpeners. The Bettcher[®] EZ Edge allows the operator to sharpen a blade at the work station. *Refer to Section 7, Blade Sharpening and Steeling Equipment.*

The Whizard Quantum[®] Trimmer has been designed in such a way as to allow the blades to be quickly removed and reinstalled. *Refer to Section 4, Blade Changing.*

BLADE CHANGING

 **WARNING**

Sharp blades may cause cut injury!

For proper protection of hands, a protective glove should be used when operating this equipment and during the handling of blades. Metal mesh gloves are recommended for the free hand.



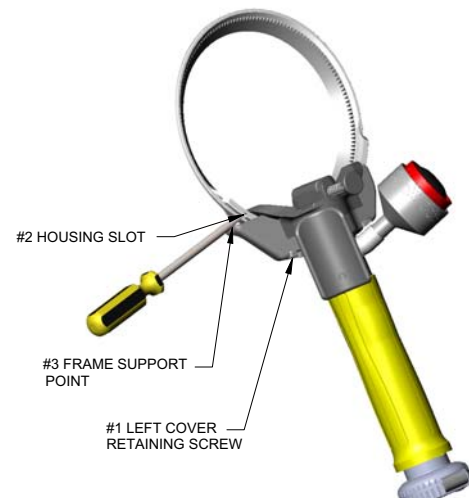
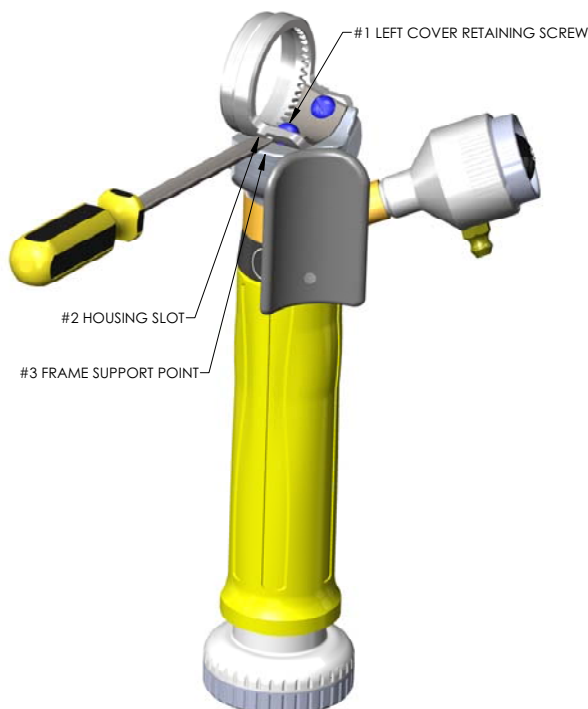
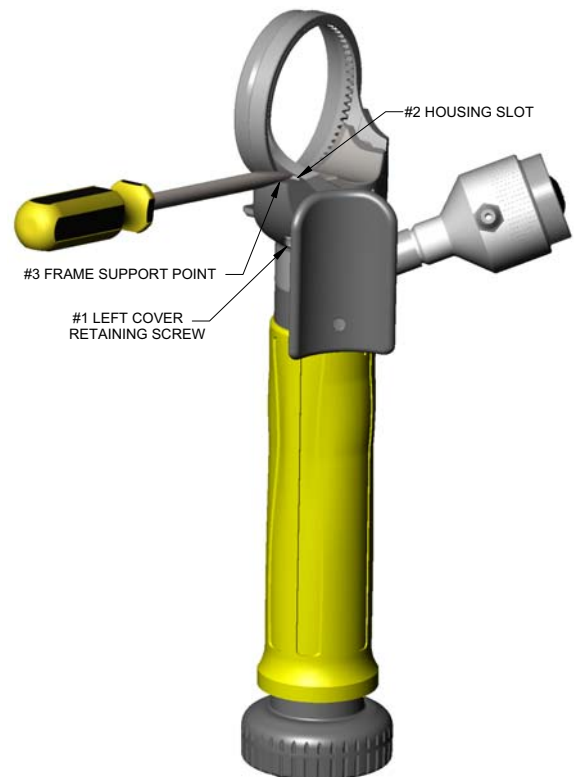
Keep hands away from moving blade.

Blade Removal

- Hold the tool in your hand.
- Loosen only the left cover retaining screw (Item #1).
- With a screwdriver held in the opposite hand, insert the screwdriver in the housing slot (Item #2). Using the frame as the support point (Item #3), spread open the housing. The blade should fall out.

NOTE: Some tools have 2 slots in the housing.

NOTE: A slight tension on the left cover screw will allow the blade housing to stay open on its own.



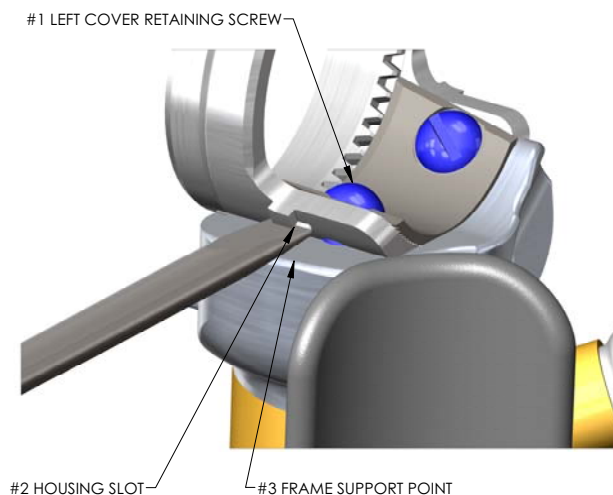
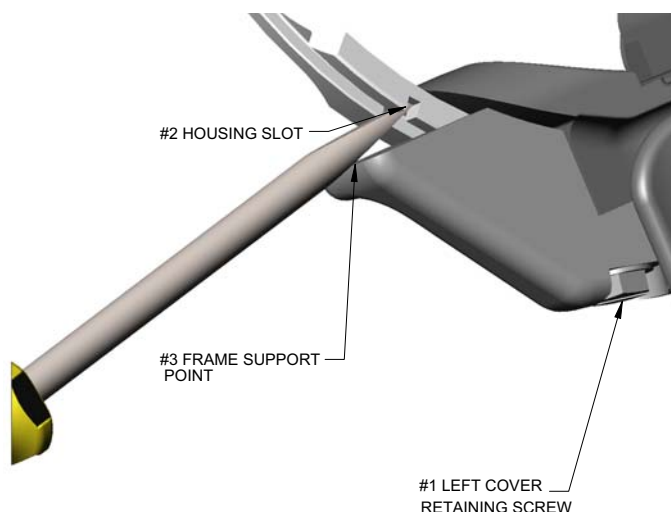
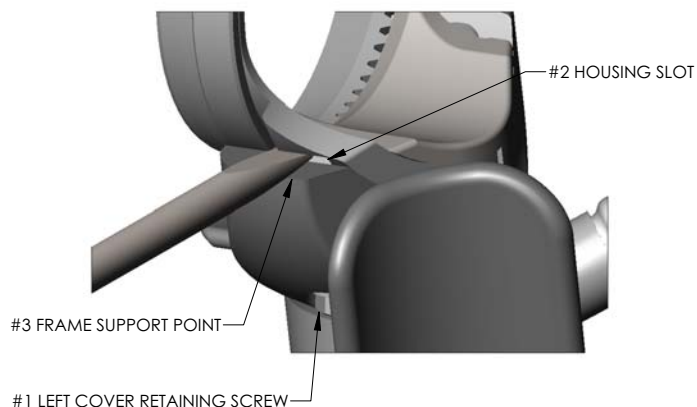
BLADE CHANGING (CONTINUED)

Blade Installation

- Turn the tool over so the blade side is up.
- Spread open the blade housing with a screwdriver.

NOTE: A slight tension on the left cover screw will allow the blade housing to stay open on its own.

- Insert a new blade in the housing.
- Loosen the left cover retaining screw so the housing will close.



BLADE CHANGING (CONTINUED)

Blade Installation (Continued)

- Adjust the housing for proper running clearance. The blade should turn freely with a slight side-to-side motion. This leaves room for the grease.

WARNING! Make certain that the blade is free to rotate in the housing. If the blade does not turn freely, it may cause the tool to rotate in the hand.

- Tighten the left cover screw to 35 in-lb. (4 N-m). Use of the Bettcher torque wrench kit is recommended.
- Re-check the running clearance.

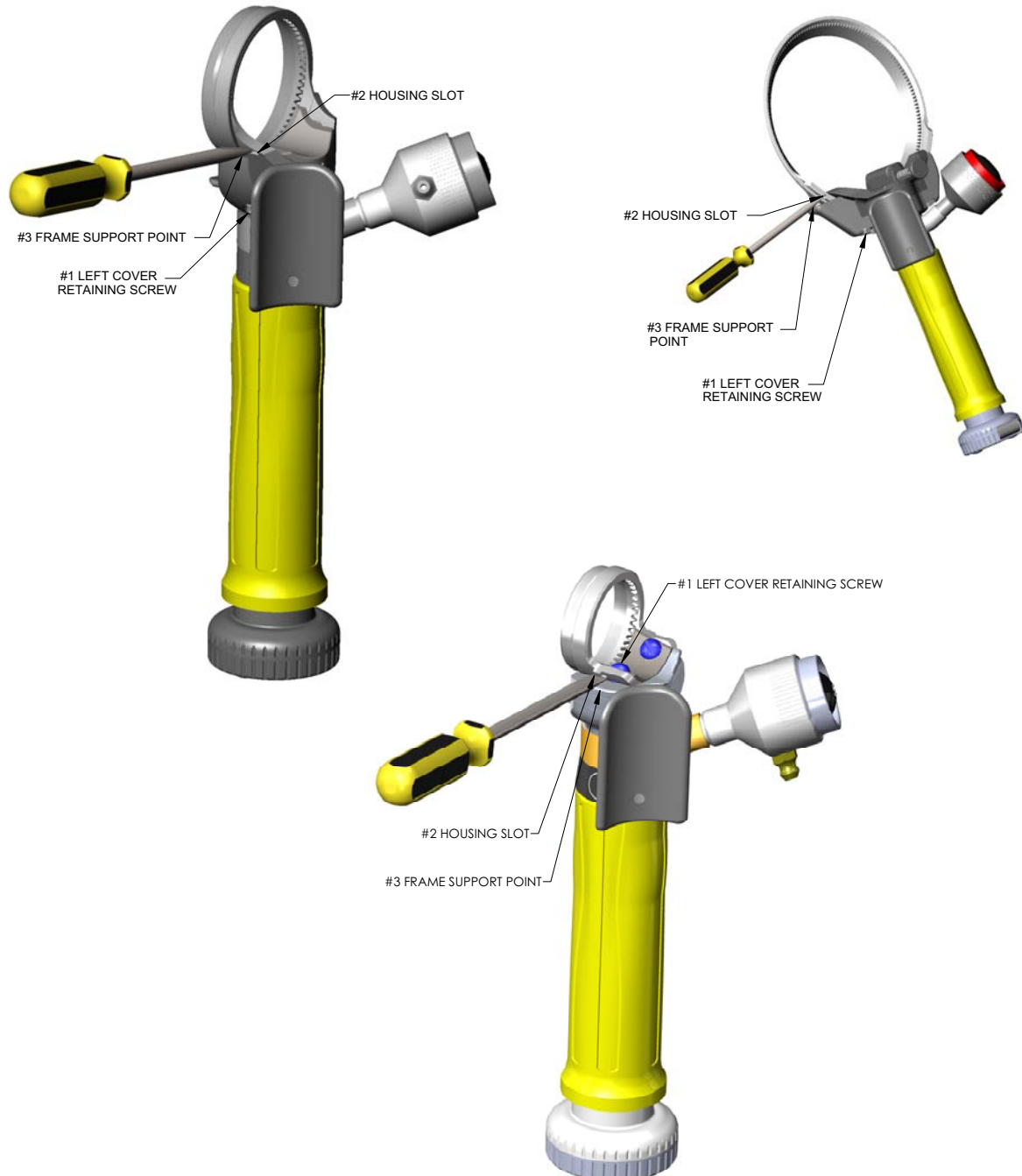
Blade is too tight

- If the blade is too tight in the housing, adjustments can be made by loosening the left cover retaining screw and slightly spreading open the housing.
- Check the housing for proper running clearance and retighten the left cover screw to 35 in-lb. (4 N-m). Use of the Bettcher torque wrench kit is recommended. *Refer to Section 7, Tools.*

BLADE CHANGING (CONTINUED)

Blade is too loose

- If the blade is too loose in the housing, adjustments can be made by slightly loosening the left cover retaining screw and squeezing the housing lightly. Check the housing for proper running clearance and retighten the left cover screw to 35 in-lb. (4 N-m). Use of the Bettcher® torque wrench kit is recommended. *Refer to Section 7, Tools.*



THIS PAGE INTENTIONALLY LEFT BLANK

Section 5

Maintenance

CONTENTS OF THIS SECTION

Remove Whizard Quantum® Driveline from disconnect body	2
Removing Whizard Quantum® Trimmer From the Whizard Quantum® Driveline	3
Non-Disconnect Models.....	3
Disconnect Models	3
Disassembly of Handpiece.....	4
Daily Inspections & Maintenance	8
Driver Assembly Inspection and Replacement	13
Blade Sharpening.....	15
Machine Sharpening	15
Hand Stoning - Models Q360, Q505, Q625, Q850, Q880, Q1850, Q1880, Q1000, Q1300, Q1400 and Q1500	15
Assembly of Handpiece	16
Optional Disc Gauge or Depth Gauge Installation and Adjustment	24
Optional Whizard® Micro-Break Hand Strap and Adjustment	26
Optional Post Handle Kit and Adjustment.....	27
Fault Detection and Correction	28

 **WARNING**



To avoid personal injury, always disconnect the power cord before performing any adjustments, disassembly/assembly, troubleshooting or cleaning.

Always turn off the Whizard Quantum® Drive Unit and place the handpiece in the hanger bracket. Never lay the handpiece down on the workstation or let it hang free by the Whizard Quantum® Driveline. Never place the handpiece in the hanger while the blade is still revolving.

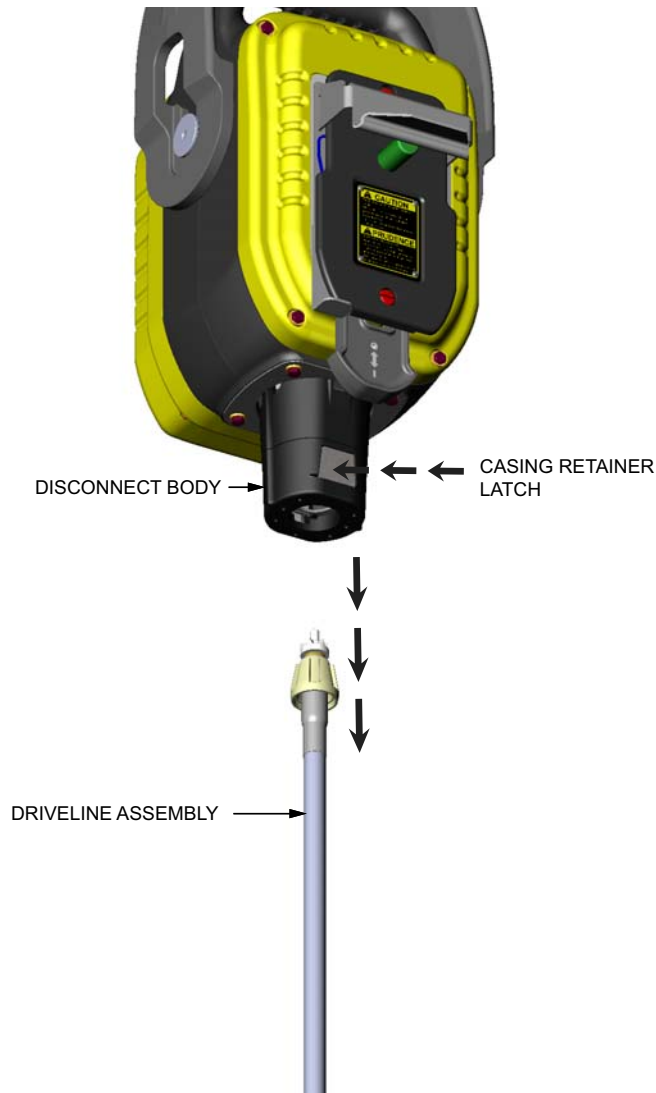
Always disconnect the power and remove the tool from the Whizard Quantum® Driveline prior to servicing.

All electrical repairs should be completed by a qualified electrician or approved service provider.

REMOVE WHIZARD QUANTUM[®] DRIVELINE FROM WHIZARD QUANTUM[®] DRIVE UNIT

Remove Whizard Quantum[®] Driveline from disconnect body

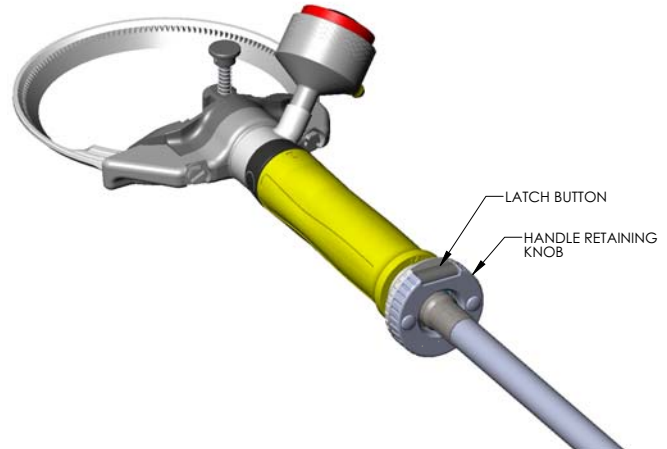
Hold driveline assembly around the top exposed portion, just below the disconnect body. Push casing retainer latch inward and pull driveline down and out of disconnect body.



REMOVING WHIZARD QUANTUM[®] TRIMMER FROM THE WHIZARD QUANTUM[®] DRIVELINE

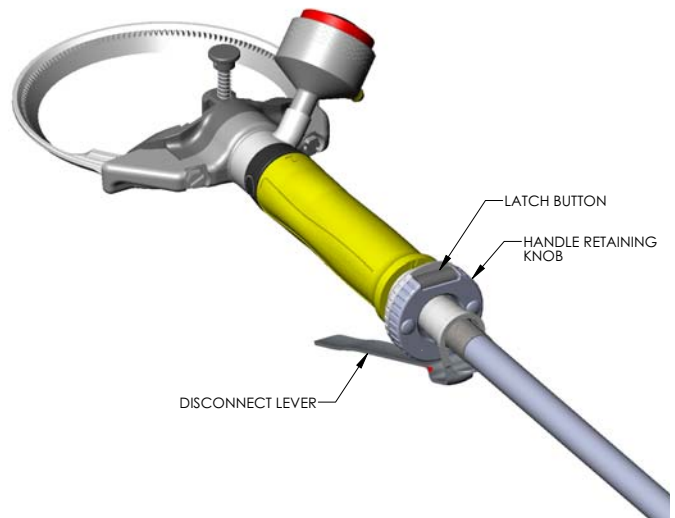
Non-Disconnect Models

- Hold Whizard Quantum[®] Trimmer in the hand you will use in operation.
- With opposite hand, press the latch button in the handle retaining knob.
- The driveline should eject from the handle.



Disconnect Models

- Release the disconnect lever and the driveline should partially eject from the handle.
- With the opposite hand, press the latch button in the handle retaining knob.
- The driveline should eject from the handle.

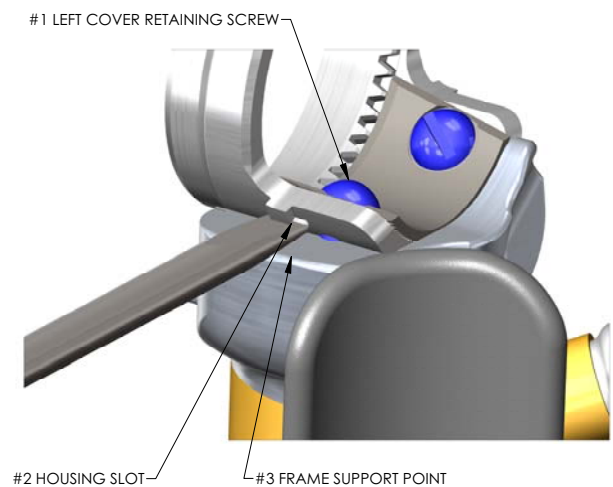
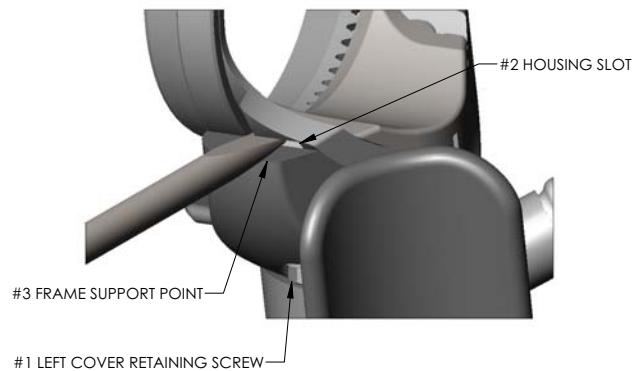
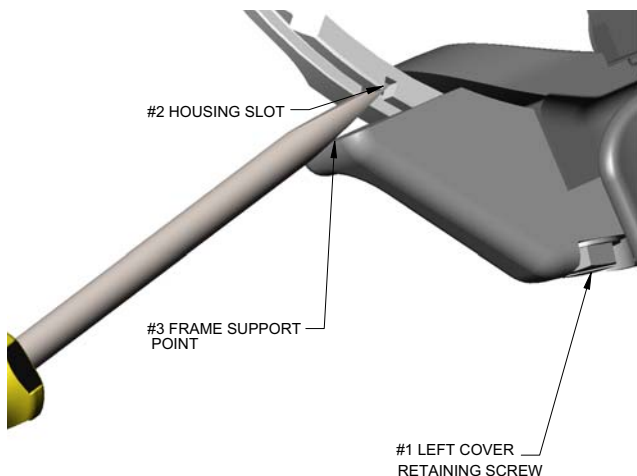


DISASSEMBLY OF HANDPIECE

Remove the Blade from the Tool

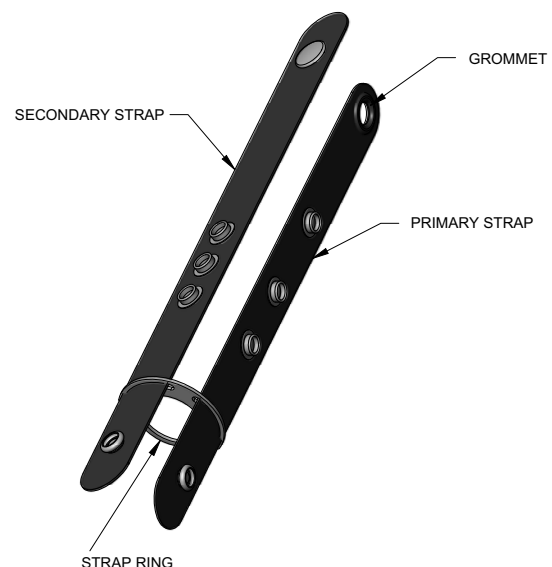
- Hold the tool in your hand.
- Loosen only the left cover retaining screw (Item #1).
- With a screwdriver held in your other hand, insert the screwdriver in the housing slot (Item #2). Using the frame as the support point (Item #3), spread open the housing. The blade can now be removed.

NOTE: Some tools have 2 slots in the housing.



Remove the Optional Whizard® Micro-Break Hand Straps

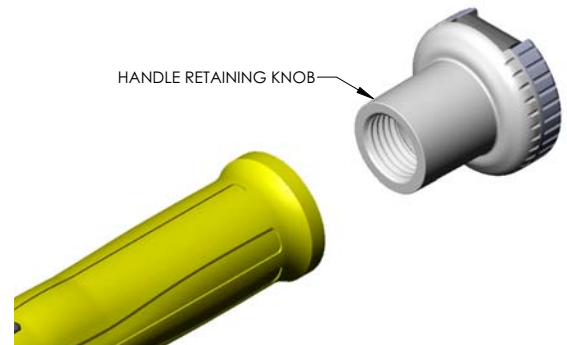
- Remove the grease cup and retaining knob to remove primary and secondary hand straps.



DISASSEMBLY OF HANDPIECE (CONTINUED)

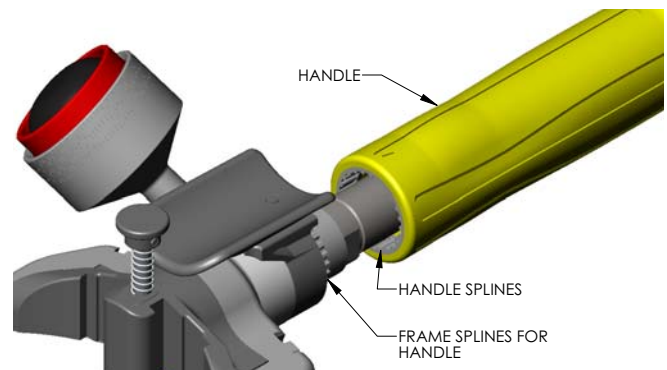
Remove the Handle Retaining Knob

- Turn retaining knob counterclockwise.



Remove the Handle from the Tool

- Pull the handle off the tube.
- Remove the handle spacer ring or optional thumb support.
- Remove the grease cup and ring.



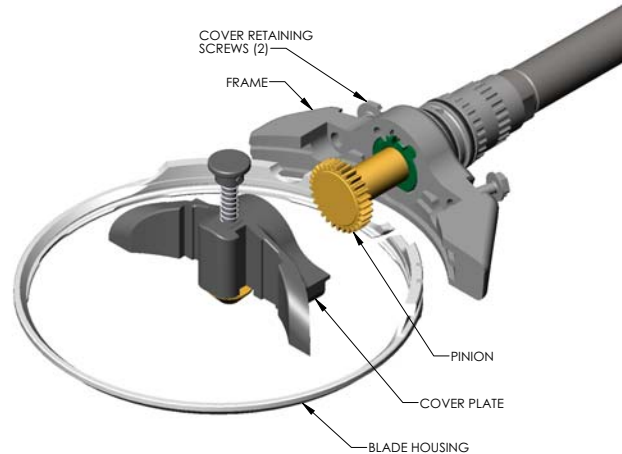
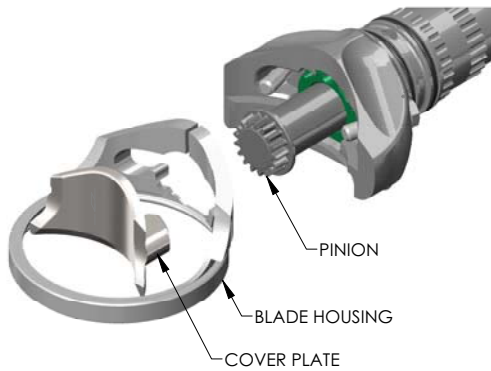
DISASSEMBLY OF HANDPIECE

Remove the Blade Housing and Cover Plate

- Loosen cover retaining screws until the cover is free.

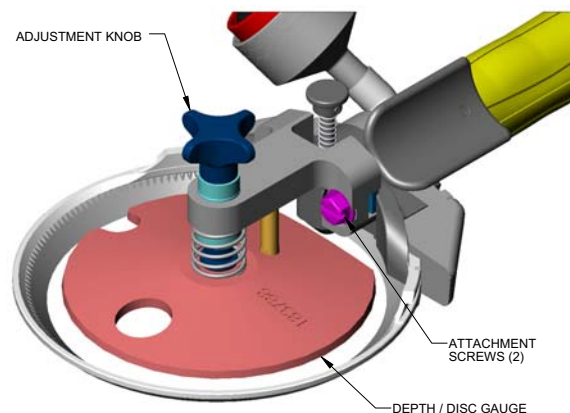
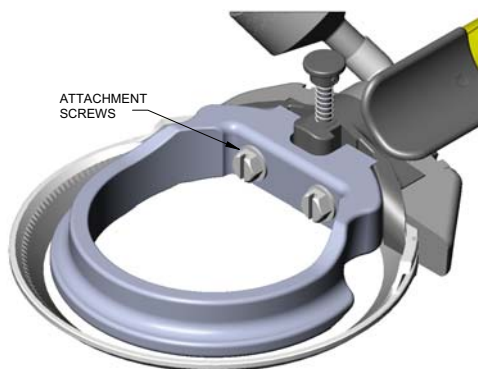
NOTE: *The screws will stay in the frame.*

- Remove the blade housing.
- Pull the pinion out of the frame.



Remove the Optional Depth Gauge / Disc Gauge from the Cover Plate

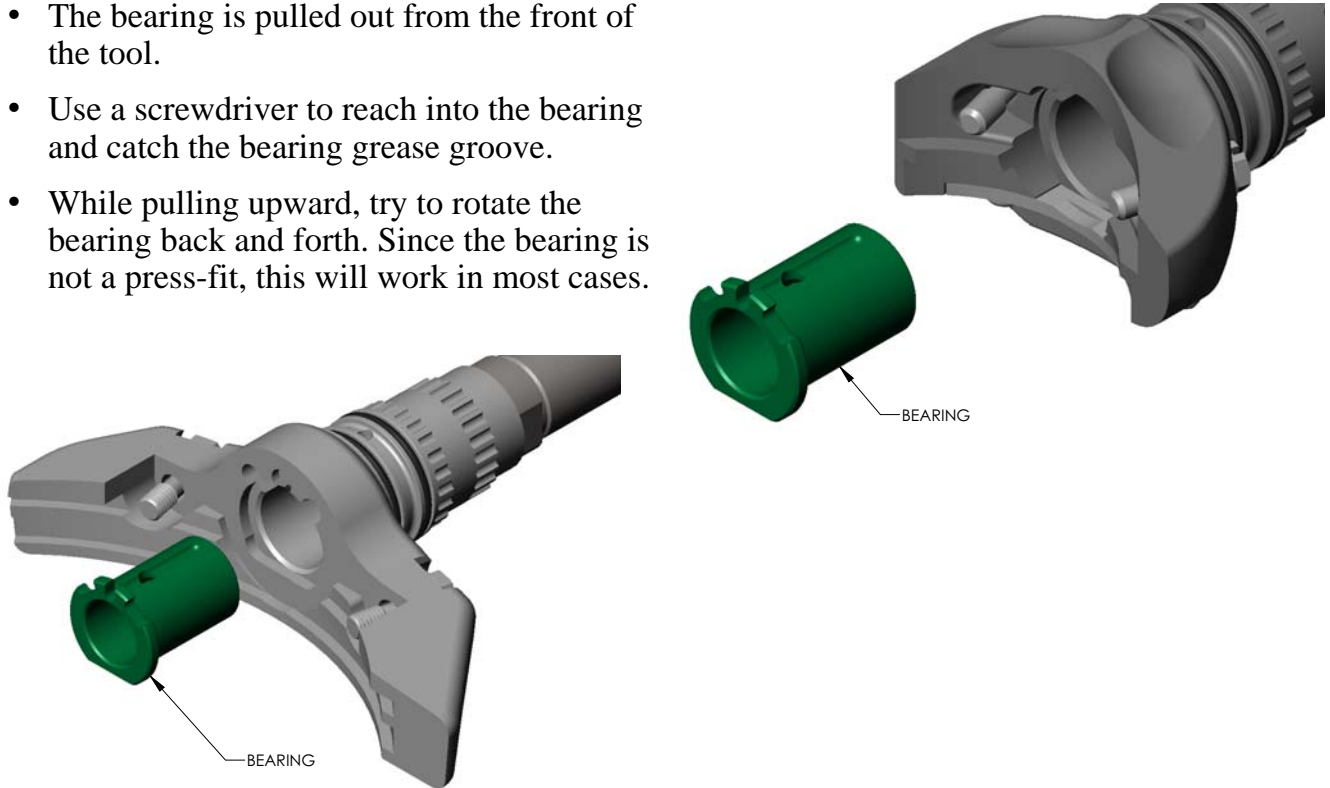
- Loosen the two attachment screws located inside the depth gauge. It is not necessary to remove the screws.
- Slide the gauge upward until the depth gauge clamps come out of the cover plate grooves.



DISASSEMBLY OF HANDPIECE (CONTINUED)

Remove the Bearing from the Frame

- The bearing is pulled out from the front of the tool.
- Use a screwdriver to reach into the bearing and catch the bearing grease groove.
- While pulling upward, try to rotate the bearing back and forth. Since the bearing is not a press-fit, this will work in most cases.



NOTICE

If the bearing will not come out, it may be necessary to run a tap into the bearing and pull on the tap. If this is done, then the bearing must be replaced due to damage.

A bearing removal tool is available. Order part number 184983.

The handpiece is now completely disassembled.

NOTE: *The cover retaining screws do not normally need removed. If they do need removal, turn the screw while pulling down to engage the thread in the frame.*

DAILY INSPECTIONS & MAINTENANCE

 **WARNING**

Inspection of all parts for excessive wear is critical to ensure proper and safe operation. Vibration or lock-up may occur as a result of the use of excessively worn parts.



Sharp blades may cause cut injury!

Always disconnect power and remove the tool from the Whizard Quantum[®] Driveline prior to servicing.

Do not adjust handle or thumb support with the trimmer running, or with blade installed.

After sharpening blade, all abrasive dust must be completely removed from the handpiece. Disassemble the unit and carefully wash each piece with hot, soapy water and a small brush.

Prior to assembly, be sure all parts are clean and have been inspected for wear.

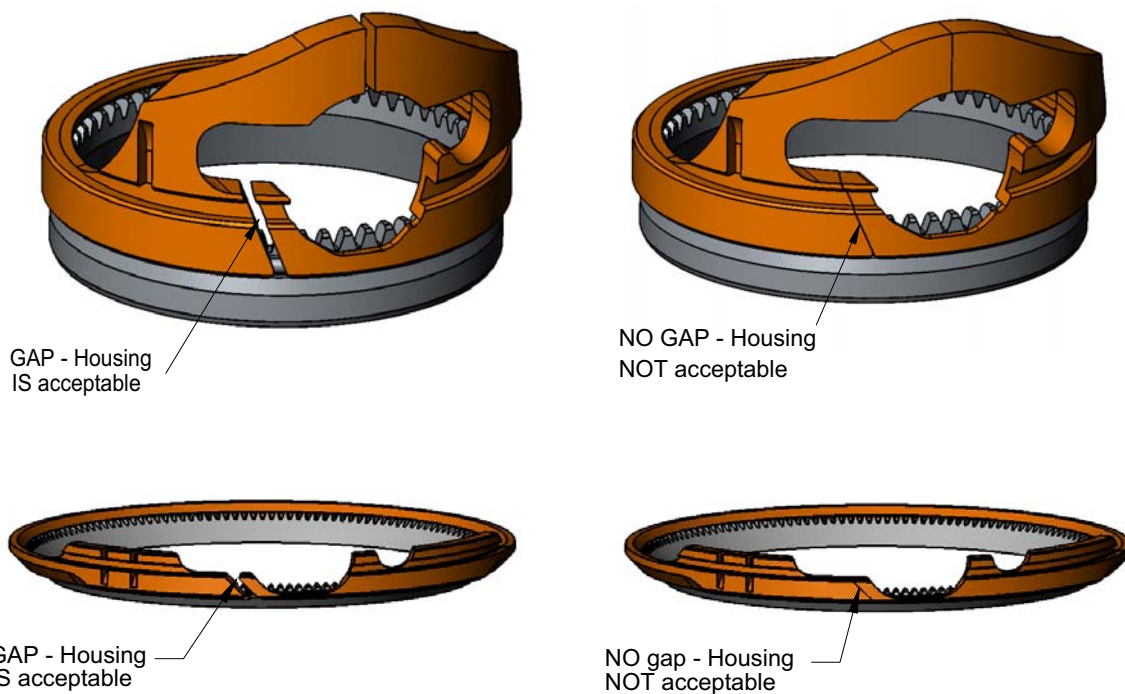
Blade

- Check for worn or chipped teeth.
- Check for damage to the cutting edge.

DAILY INSPECTIONS & MAINTENANCE (CONTINUED)

Blade Housing Wear

- Inspect the inner diameter of the housing for wear.
- Look for evidence of the blade rubbing the inner wall of the housing.
- When holding the housing with a new blade installed, if the split in the housing touches the other side, and the blade is still loose, the housing needs to be replaced. If a gap is seen, the housing is acceptable.



Pinion Gear

- Check for worn or chipped teeth. Worn out teeth are indicated by rounded off and pointed tops on the teeth.

Bearing

- Install a new pinion and move the pinion side to side.
- If the bearing feels egg-shaped, it should be replaced.
- The bearing should be replaced at 500 hours of use or sooner.

DAILY INSPECTIONS & MAINTENANCE (CONTINUED)

Cover Plate

- Look for signs of corrosion or wear on the cover.
- Pay special attention to the area covering the gear teeth.
- If the edge of the cover is worn, exposing the pinion and blade teeth, the cover should be replaced.

Whizard® Micro-Break Hand Straps

- Inspect the strap for hardening and cracks.
- If any fibers, cuts, or cracks are showing, the strap should be replaced.

Handle Retaining Knob

- Inspect for cracks.
- Make sure spring tension in the metal button is adequate.
- Make sure the metal button is clean and moves freely.

Frame

- Inspect the frame surfaces where the housing mounts.
- Look for corrosion and any nicks or burrs that may prevent proper housing seating.
- Inspect the housing locating key for damage.
- Inspect frame o-rings for cuts or other damage. Replace if necessary.

Steeling Device - Models Q505, Q625, Q850, Q880, Q1850, Q1880, Q1000, Q1300, Q1400 and Q1500

- Inspect the surface condition of the carbide steel. If chipped or cracked it should be replaced.
- Make sure the steeling device and the plunger are free to move.
- The plunger and steel should be cleaned and oiled with mineral oil in order to keep free movement and prevent build-up of dirt.

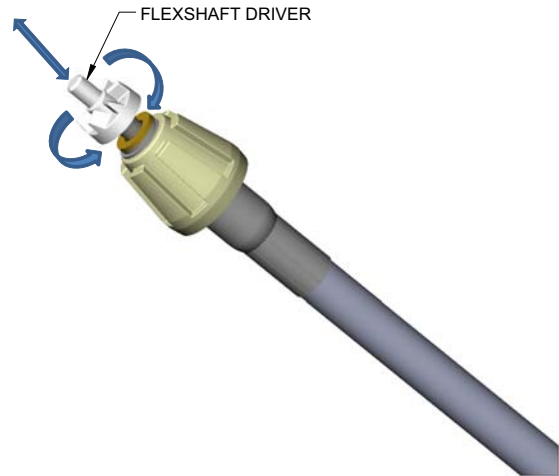
Depth Gauge / Disc Gauge Clamps - Models Q850, Q880, Q1850, Q1880, Q1000, Q1300, Q1400 and Q1500

- Inspect the depth gauge / disc for wear or damage.
- Make certain the depth gauge /disc clamps are not bent.

DAILY INSPECTIONS & MAINTENANCE (CONTINUED)

Whizard Quantum[®] Driveline

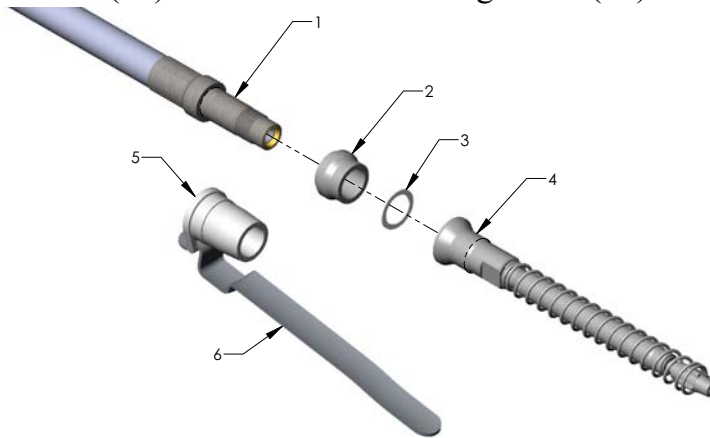
- The Whizard Quantum[®] Driveline includes a casing and flexible shaft that is factory lubricated and does not require ongoing maintenance lubrication.
- **NOTE:** *The flexible shaft is not removable from the casing.*
- Inspect the casing for any cracks, tears or other wear. If any damage is found, replace the Whizard Quantum[®] Driveline.
- Check to ensure that the flexshaft driver can freely rotate in the casing. If it will not rotate, replace the entire assembly.



DAILY INSPECTIONS & MAINTENANCE (CONTINUED)

Whizard Quantum® Driveline Replacement

- When the driveline needs to be replaced, the driver assembly may be retained and reused.
- Hold the driveline (#1) in a vise.
- Unscrew the driver assembly (#4) by turning counterclockwise using the wrench flats on the drive end assembly.
- Remove the nylon washer (#3), casing latch collar (#2) or lever mounting collar (#5) from the casing.
- Discard the driveline but retain and reuse the driver assembly (#4), the nylon washer (#3), the casing latch collar (#2) - or the lever mounting collar (#5) and disconnect lever (#6).



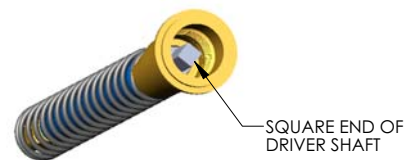
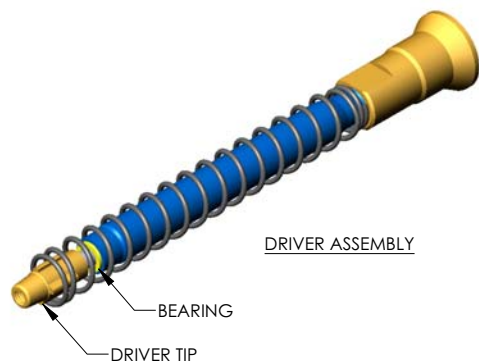
To Reassemble the Drive End Assembly to a new Whizard Quantum® Driveline

- If using the driveline disconnect, place the disconnect lever (#6) onto the lever mounting collar (#5).
- Slip the driveline latch collar (#2) or lever mounting collar (#5) with disconnect lever (#6) onto the new driveline.
- Slip the nylon washer (#3) onto the new driveline.
- Clean the threads of the new driveline assembly and apply 2-4 drops of Loctite #222 thread locker or equivalent.
- Screw the driver assembly (#4) on the new driveline.
- Tighten by hand and then with a wrench while holding the driveline by hand. **NOTICE: DO NOT** hold the new driveline in a vise or use pliers as damage will occur. It is not necessary to over-tighten this joint.

DRIVER ASSEMBLY INSPECTION AND REPLACEMENT

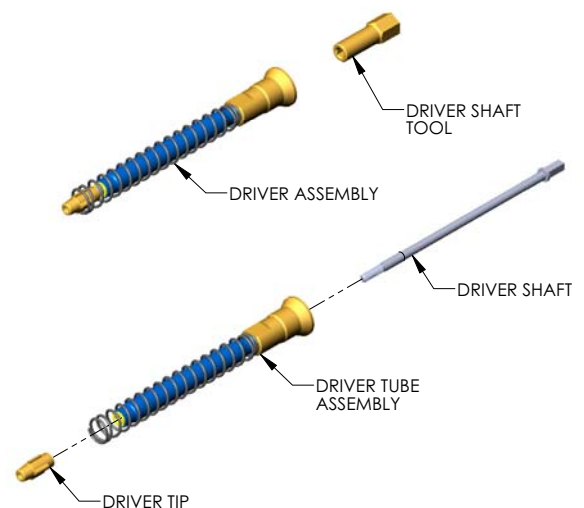
Inspection of the Driver Assembly

- Make certain the driver shaft and tip rotate freely and also that they can slide back and forth freely.
- Check for wear on the bearing at the end of the tube assembly. If the bearing flange is excessively worn, replace the tube assembly.
- Inspect the flutes of the driver tip. If they are excessively worn, replace the driver tip.
- Inspect the square end of the driver shaft. If the corners are rounded, replace the driver shaft.



Removal of the Driver Tip and Driver Shaft

- Grip the driver shaft tool (Part #101252) in a vice and place the driver assembly over the tool so that the square end of the driver shaft fits into the square hole of the tool.
- Pull the spring back and use a crescent wrench to grip the driver tip.
- Turn the driver tip **CLOCKWISE**. Continue to turn the driver tip **CLOCKWISE** until it is free from the driver shaft.
- Pull the driver shaft out of the tube.



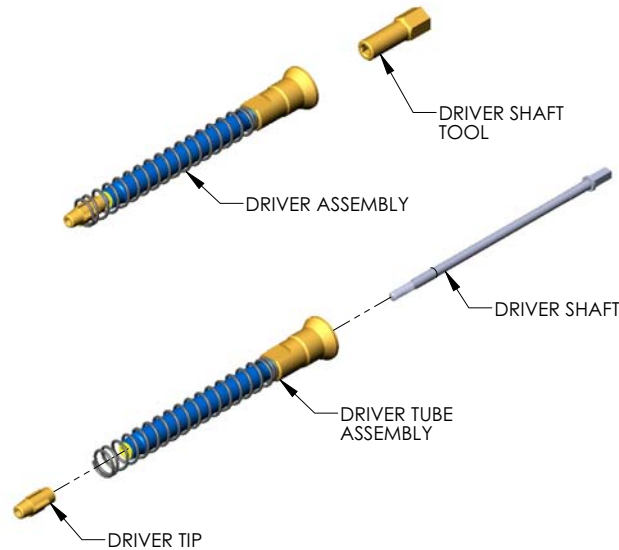
DRIVER ASSEMBLY INSPECTION AND REPLACEMENT (CONTINUED)

Assembly of the Driver Assembly

NOTICE

Do not overtighten the driver tip. Doing so could break the driver shaft.

- Apply Max-Z-lube to the 2 bearing areas of the driver shaft.
- Insert the driver shaft into the tube assembly.
- Grip the driver shaft tool in a vice and place the driver assembly over the tool so that the square end of the driver shaft fits into the square hole of the tool.
- Clean the threads of the driver shaft and apply 2-4 drops of Loctite #222 thread locker.
- Pull back the spring with one hand then thread the driver tip onto the threads with a COUNTER-CLOCKWISE motion. Turn by hand until the driver tip bottoms out.
- Using a crescent wrench, apply a small amount of torque (25 in-lbs max) to snug the driver tip.



BLADE SHARPENING

WARNING

Sharp blades may cause cut injury!



For proper protection of hands, a protective glove should be used when operating this equipment and during the handling of blades.

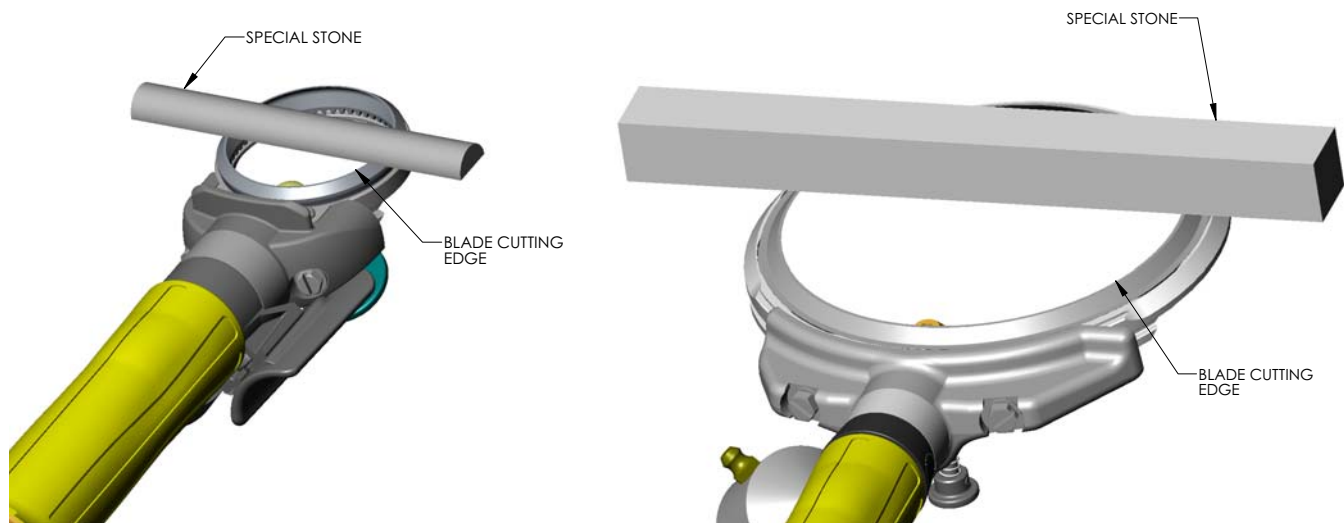
After sharpening, all abrasive dust must be completely removed from the handpiece. Disassemble the unit and carefully wash each piece with hot, soapy water and a small brush.

Machine Sharpening

The blade should be stoned or sharpened on a Whizard® Model 210 Universal Blade Sharpener, Whizard® Model 214 Blade Sharpener (International Only), or Bettcher® AutoEdge at the end of each work day. Be sure to clean the blade first to remove all grease or meat particles which could coat the stone and greatly reduce its effectiveness. In the event the stone becomes coated, simply scrub it using hot, soapy water.

Hand Stoning - Models Q360, Q505, Q625, Q850, Q880, Q1850, Q1880, Q1000, Q1300, Q1400 and Q1500

With the trimmer running, apply the flat side of the stone to the outside of the blade as shown in the illustration. The stone should be applied with the flat part of the stone resting on the flat part of the blade edge to be ground, using a "back and forth" motion.



Use the Special Whizard® Steel to finish sharpening the blade. *Refer to Section 4, Steeling the Blade.*

ASSEMBLY OF HANDPIECE

 **WARNING**

Sharp blades may cause cut injury!



For proper protection of hands, a protective glove should be used when operating this equipment and during the handling of blades. Metal mesh gloves are recommended for the free hand.

Keep hands away from moving blade.

 **WARNING**

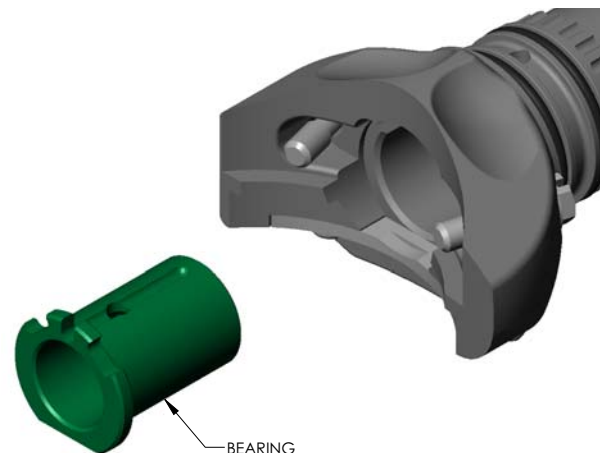
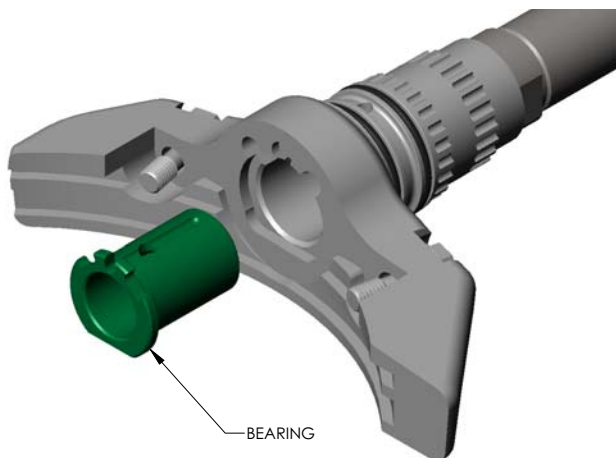
Inspection of all parts for excessive wear is critical to ensure proper and safe operation. Vibration or lock-up may occur as a result of the use of excessively worn parts. Prior to assembly, be sure all parts are clean and have been inspected for wear.

Handpiece Bearing Installation

- Push the handpiece bearing in the frame bore and align the bearing flat with the frame flat.
- The bearing should go in with minimal effort and not require pressing.

 **NOTICE**

DO NOT force the bearing in. If it does not go in, check frame and bearing for damage or build-up.



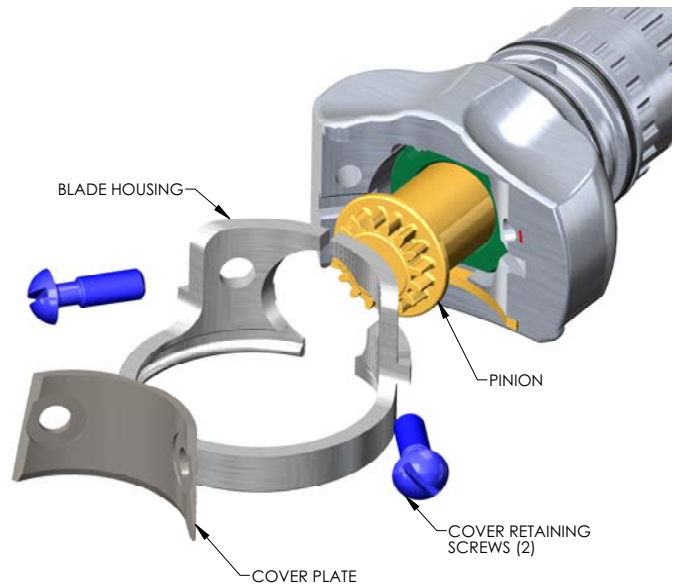
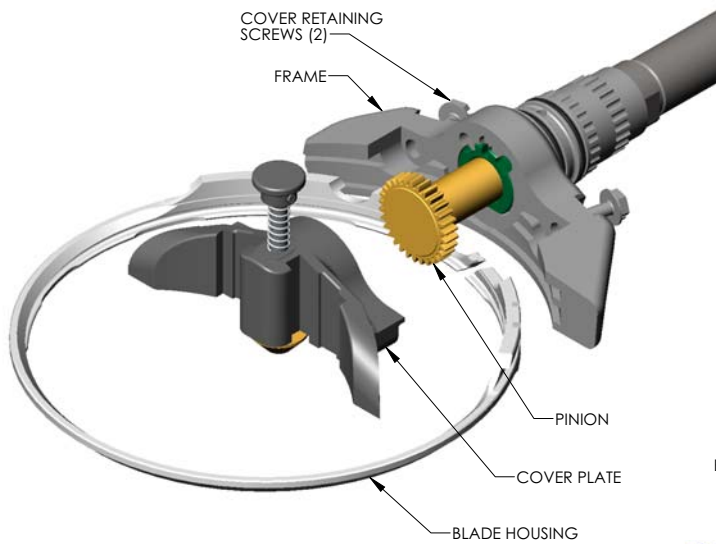
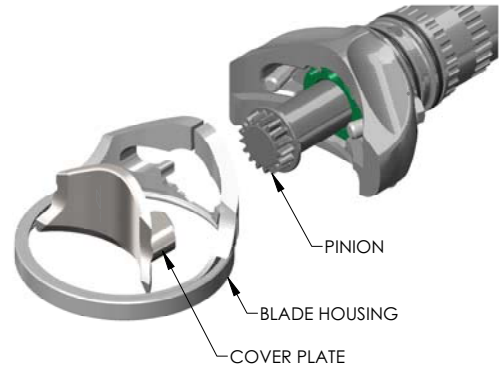
ASSEMBLY OF HANDPIECE (CONTINUED)

Pinion Installation

- The pinion should fit freely into the bearing.

Blade Housing and Cover Plate Installation

- Set the blade housing on the frame and put the cover plate on.
- While holding the cover plate firmly against the housing and frame start the two cover retaining screws.
- Tighten the screws lightly.



ASSEMBLY OF HANDPIECE (CONTINUED)

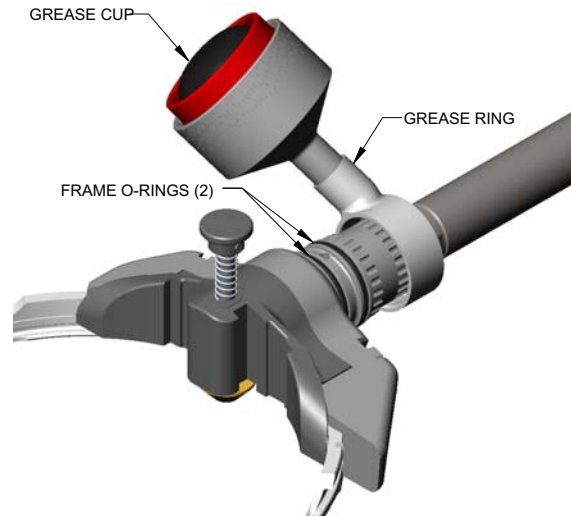
Grease Cup and Ring

- Pick up the Whizard® Trimmer.
- Pick up the grease cup and ring. Apply a small amount of Whizard Quantum® High Performance Grease to the frame o-rings.
- With a twisting motion, install the grease ring onto the frame over the o-rings.

NOTICE

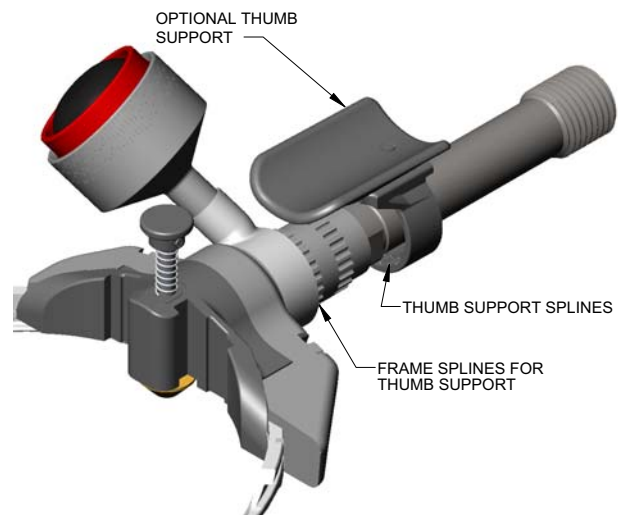
Be careful not to squeeze the o-rings out of their grooves, or they could be trapped and damaged.

- Rotate the grease cup to the desired position.



Optional Thumb Support

- Pick up a spacer ring or optional thumb support.
- If the optional thumb support is used, align the thumb support splines with the frame splines.
- The optional thumb support should be located on the opposite side of the grease cup.

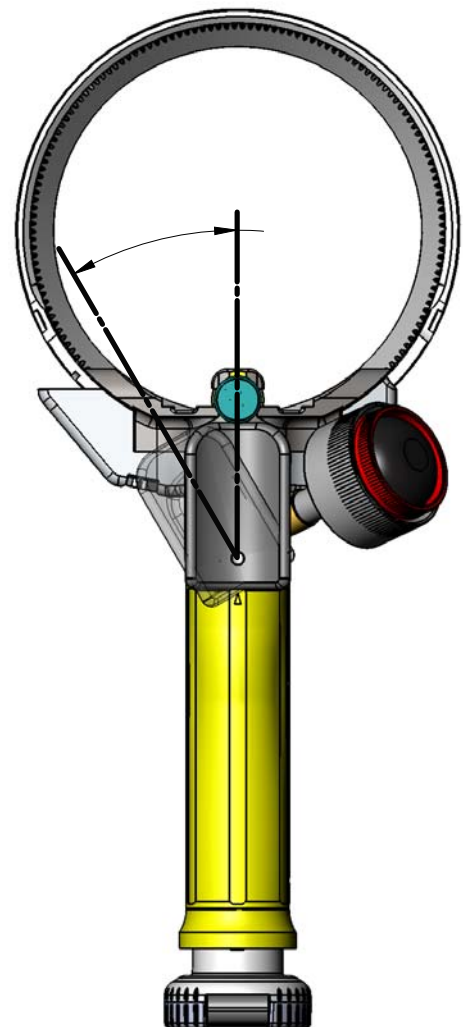
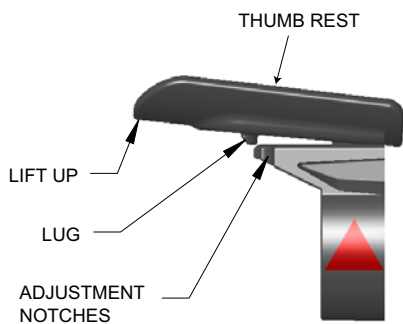


ASSEMBLY OF HANDPIECE (CONTINUED)

Thumb Support Angle Adjustment

- Lift up on the front of the thumb support until the lug comes out of the notch underneath the thumb support.
- Rotate the thumb rest to a new position.
- Push the thumb rest back down to seat the lug into a new notch.

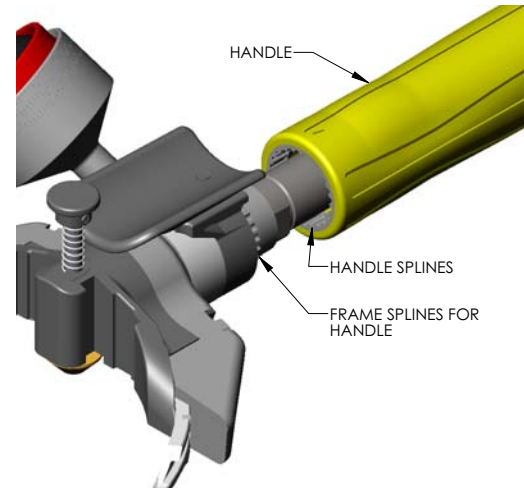
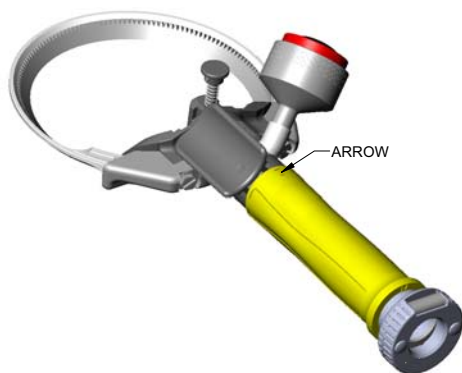
NOTE: *It may be necessary to rotate the grease cup to a new position to adjust the thumb support to the desired position.*



ASSEMBLY OF HANDPIECE (CONTINUED)

Handle

- While holding the trimmer, pick up a handle.
- Firmly push the handle towards the bottom of the spacer ring or optional thumb support. Align the handle spline with the splines on the front of the tube.
- For the initial adjustment position, the arrow on the handle should be on top *as shown*.

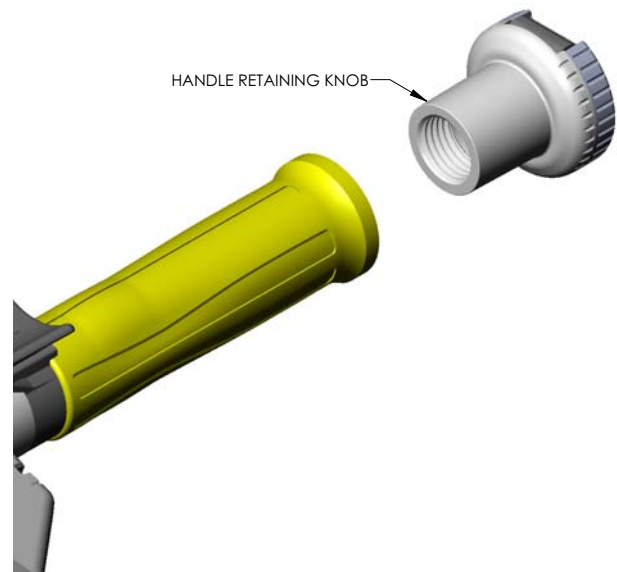


NOTE: *The handle can be adjusted to suit the operator and the work station by pulling the handle back away from the frame and re-locating it on another set of notches on the frame tube.*

- Screw on the handle retaining knob by turning clockwise.

NOTICE

Tighten firmly but take care not to overtighten or the handle will be damaged.



ASSEMBLY OF HANDPIECE (CONTINUED)

Blade Installation



Sharp blades may cause cut injury!



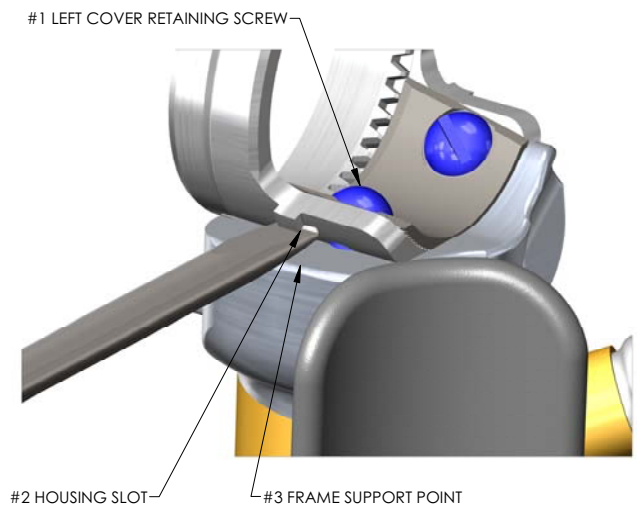
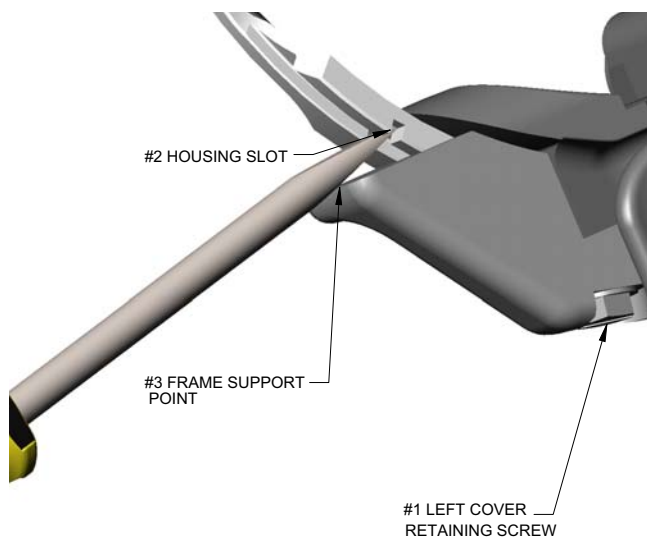
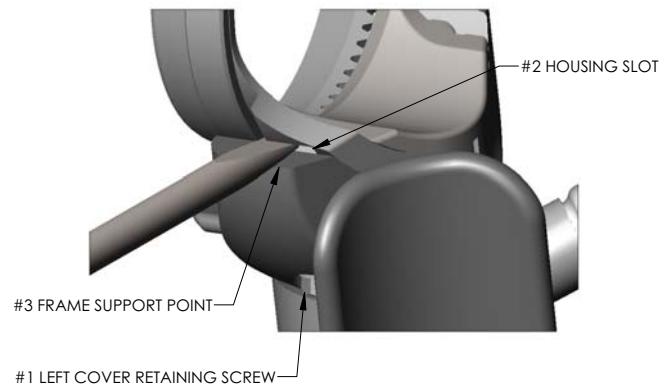
For proper protection of hands, a protective glove should be used when operating this equipment and during the handling of blades. Metal mesh gloves are recommended for the free hand.

Be certain that the blade is free to rotate in the housing. If the blade does not turn freely, it may cause the tool to rotate in the hand.

- Turn the tool over so the blade side is up.
- Spread open the blade housing with a screwdriver.

NOTE: A slight tension on the left cover screw will allow the blade housing to stay open on its own.

- Insert a new blade in the housing.
- Loosen the left cover retaining screw so the housing will close.



ASSEMBLY OF HANDPIECE (CONTINUED)

Blade Installation (Continued)

- Adjust the housing for proper running clearance. The blade should turn freely with a slight side-to-side motion. This leaves room for the grease

WARNING! Make certain that the blade is free to rotate in the housing. If the blade does not turn freely, it may cause the tool to rotate in the hand.

- Tighten the left cover screw to 35 in-lb. (4 N-m). Use of the Bettcher torque wrench kit is recommended. *Refer to Section 7, Tools.*
- Re-check the running clearance.

Blade is too tight

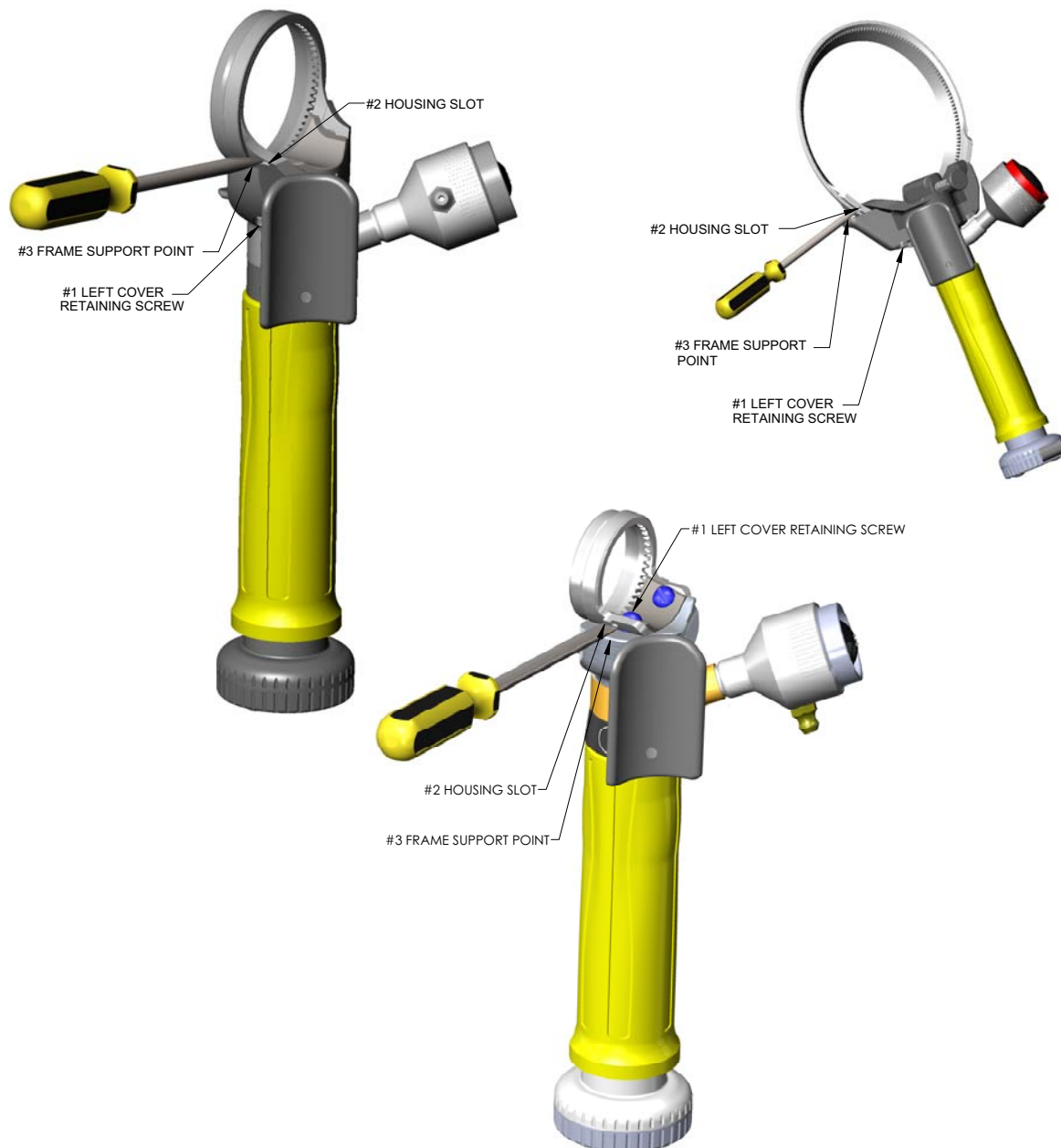
- If the blade is too tight in the housing, adjustments can be made by loosening the left cover retaining screw and slightly spreading open the housing.
- Check the housing for proper running clearance and retighten the left cover screw to 35 in-lb. (4 N-m). Use of the Bettcher[®] torque wrench kit is recommended. *Refer to Section 7, Tools.*

ASSEMBLY OF HANDPIECE (CONTINUED)

Blade Installation (Continued)

Blade is too loose

- If the blade is too loose in the housing, adjustments can be made by slightly loosening the left cover retaining screw and squeezing the housing lightly. Check the housing for proper running clearance and retighten the left cover screw to 35 in-lb. (4 N-m). Use of the Bettcher® torque wrench kit is recommended. *Refer to Section 7, Tools.*

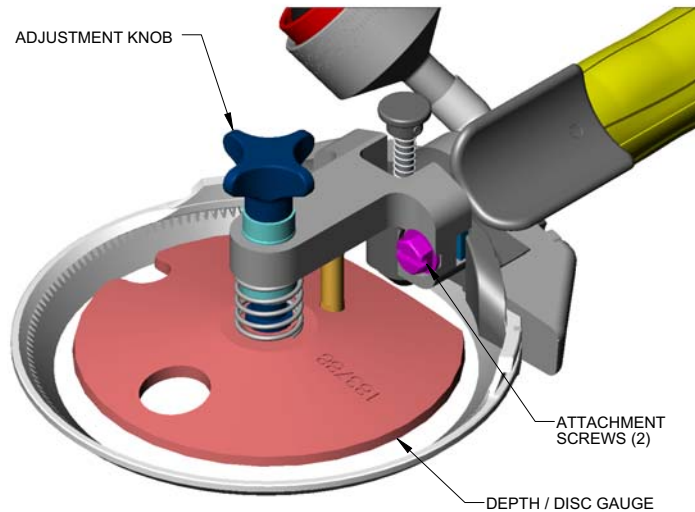


OPTIONAL DISC GAUGE OR DEPTH GAUGE INSTALLATION AND ADJUSTMENT

Optional Disc Gauges for Models Q850, Q1850, Q1000 and Q1300

Optional adjustable disc gauges are available for the Q850, Q1850, Q1000 and Q1300 trimmers. *Refer to Section 7, Service Parts to order.*

- Slide the disc gauge downward along the cover plate grooves until the disc gauge clamps catch in position.
- The final height adjustment can be made after the blade is installed.
- Tighten the two attachment screws.



Adjustment

- Hold the handpiece with the blade facing downward.
- Turn the adjustment knob clockwise for a thicker cut, or counterclockwise for a thinner cut.

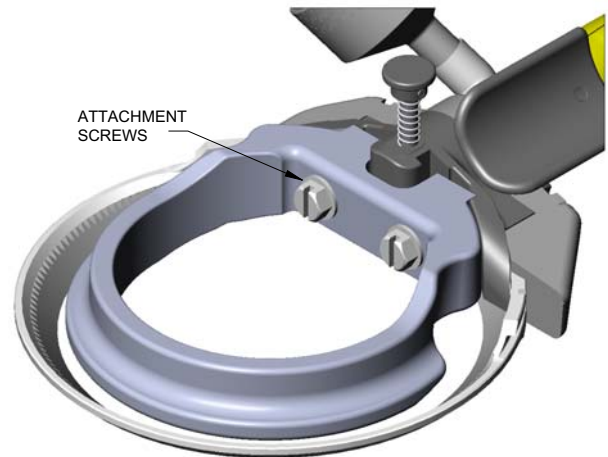
NOTE: *Take care not to turn too far as the depth control hub may disengage from the shaft.*

OPTIONAL DISC GAUGE OR DEPTH GAUGE INSTALLATION AND ADJUSTMENT (CONTINUED)

Adjustable Depth Gauge for Models Q880 (B&S), Q1880, Q1400 and Q1500 Only

These tools come equipped with an adjustable depth gauge for setting a controlled product trim thickness. The depth gauge can be adjusted for cuts up to ¼” thick. A depth gauge setting device is also available.

- Slide the depth gauge downward along the cover plate grooves until the depth gauge clamps catch in position.
- The final height adjustment can be made after the blade is installed.
- Tighten the two attachment screws.



Adjustment

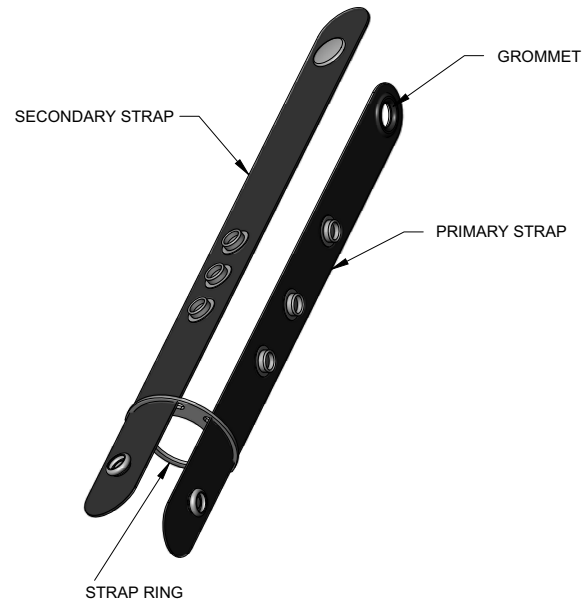
- Hold the handpiece with the blade facing downward.
- Loosen the attachment screws at the base of the plastic depth gauge.
- Adjust the gauge setting by sliding it up or down to the desired height.
- Retighten the attachment screws.

OPTIONAL WHIZARD® MICRO-BREAK HAND STRAP AND ADJUSTMENT

The Whizard® Micro-Break Hand Strap has been designed to allow the user to relax the fingers of the hand between work cycles while maintaining control of the trimmer, which can be beneficial and may reduce risks associated with stress.

The Whizard® Micro-Break Hand Strap comes complete with a primary and secondary strap. The straps can be adjusted for comfort by adjusting the strap length using the snap fasteners. If the secondary strap is not needed, it can be removed from the strap ring by cutting it off.

NOTE: *The primary strap has the grommet and will be placed over the threads on the grease cup.*



- Remove the grease cup and retaining knob from the tool.
- With the retaining knob removed from the handle, place the strap ring over the handle retaining knob.
- Screw on the handle retaining knob.

NOTICE

Tighten firmly but take care not to over tighten or the handle will be damaged.

- Place the grommet of the primary strap over the threads on the grease cup.
- Thread the grease cup into the grease ring.
- Adjust the strap using the snap fasteners on the strap.
- Bring the loose end of the secondary strap across the tool and snap the secondary strap onto the snap closest to the grommet on the primary strap.

OPTIONAL POST HANDLE KIT AND ADJUSTMENT

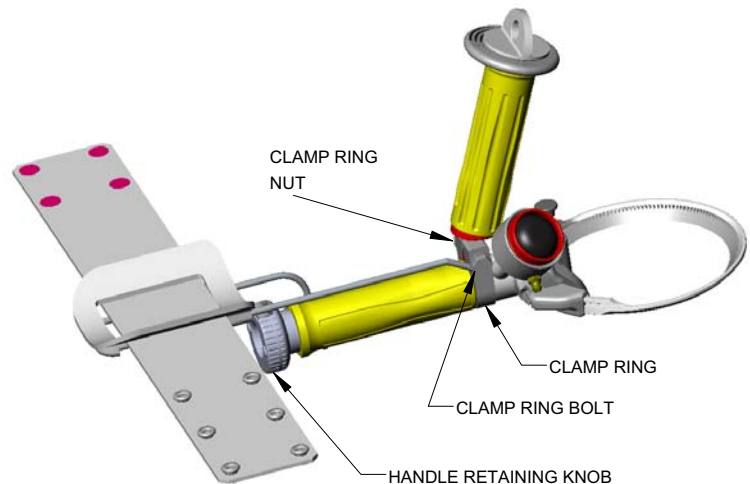
To reduce the possibility of cumulative trauma to the wrist caused by the excessive bending (Ulnar Deviation) necessary to perform certain trimming or defatting operations, a post handle option is available for all Whizard Quantum[®] Trimmers.

The post handle allows the operator to hold the tool with the wrist in a more natural, relaxed position. The operator holds this vertical handle in a more natural position for scraping-type trimming, and the assembly is also designed to let the operator relax his/her grip between cuts for added ergonomic benefit.

The universal post handle is custom-tailored to most any job by loosening a clamp ring, adjusting the vertical handle to its most comfortable position, then retightening this ring.

Side-to-Side Adjustment:

- Loosen handle retaining knob, clamp ring, bolt and nut.
- Pull the handle and clamp ring back to disengage the splines on the frame.
- Rotate the clamp ring and post handle to a new position.
- Push forward to engage the frame splines.
- Tighten the clamp ring and handle retaining knob.



Arm-Rest Strap Adjustment:

- Two adjustments are provided by the two pairs of snaps.
- Select the most comfortable position.

FAULT DETECTION AND CORRECTION

PROBLEM	PROBABLE CAUSE	REMEDY
Handpiece Vibration	Inside bore of handpiece frame worn out.	Replace frame.
	Worn handpiece bearing.	Replace.
	Worn pinion gear.	Replace.
	Worn teeth on blade or pinion gear.	Replace.
	Blade too loose in blade housing.	Adjust blade housing. If still too loose, try a new blade in the housing.
	Blade too tight in the housing.	Adjust blade housing.
	Whizard Quantum [®] Driveline is worn.	Replace.
Handpiece Hot	Pinion gear tight in handpiece bearing.	Clean corrosion from the handpiece bearing and lubricate.
	Blade tight in blade housing.	Adjust blade housing.
	Handpiece bearing not installed correctly - (No clearance between face of pinion gear and blade housing) causing mechanical bind.	Reinstall bearing correctly. With handpiece removed from Whizard Quantum [®] Driveline, you should be able to rotate the blade freely by hand.
Rapid Whizard Quantum[®] Driveline Wear or Breakage	Mechanical bind in handpiece.	With handpiece removed from driveline, blade should rotate freely by hand. Correct any mechanical bind.
	Whizard Quantum [®] Drive Unit not installed at proper height or location.	Install per instructions in Whizard Quantum [®] Drive Unit manual.

FAULT DETECTION AND CORRECTION (CONTINUED)

PROBLEM	PROBABLE CAUSE	REMEDY
Dull Blade	Improperly sharpened blades will cause loss of production, increase wear of parts, and operator fatigue.	Sharpening can best be accomplished by use of a Whizard® Model 210 Universal Blade Sharpener, or Bettcher® AutoEdge. Blades can also be sharpened by hand.
	Blade not steeled properly.	Refer to Section 4, Steeling the Blade.
Optional Thumb Support	Anti-rotation splines have worn.	Replace.
Spring Lost from Driveline	Improper assembly.	Refer to Section 5, Driver Assembly Inspection and Replacement.
Blade Skips or Will Not Rotate	Handpiece bearing worn.	Check / Replace Bearing.
	Casing not fully engaged or inserted.	Make certain the casing is fully inserted to the drive position.
	Broken flexshaft in the Whizard Quantum® Driveline.	Replace Whizard Quantum® Driveline.



THIS PAGE INTENTIONALLY LEFT BLANK

Section 6

Cleaning

CONTENTS OF THIS SECTION

Cleaning Solutions	2
Cleaning Prior to Assembly	2
Periodic Cleaning During Use	2
Cleaning After Daily Use	2
Cleaning after Blade Sharpening	2



To avoid personal injury, always disconnect the power cord before performing any adjustments, disassembly / assembly, trouble shooting or cleaning.



Always disconnect the power and remove the tool from the Whizard Quantum® Driveline prior to cleaning or servicing.



The recommended cleaning solution for the Whizard Quantum® Trimmer is eXtra© Heavy Duty Cleaner.



eXtra© Heavy Duty Cleaner, (PN: 184332), is a concentrated cleaner and degreaser for food processing equipment. Contact Bettcher Industries, Inc. for details.

CLEANING SOLUTIONS

NOTICE

Avoid the use of aggressive cleaning products as they will damage the aluminum handle assembly.

Do not use hydrocarbon solvents on the Whizard Quantum® Driveline. This will cause driveline to shrink in length and become brittle.

CLEANING PRIOR TO ASSEMBLY

Prior to assembly, be sure all parts are clean and have been inspected for wear.

PERIODIC CLEANING DURING USE

Remove meat particles and rinse with warm soapy water. Wash the trimmer with warm cleaning solution. For best results, clean the Whizard Quantum® Trimmer with EXTRA© Heavy Duty Cleaner, diluted according to the directions on the container. Rinse thoroughly with water. *Refer to Section 7, Cleaning Solution.*

CLEANING AFTER DAILY USE

Disassemble and clean thoroughly daily.

Remove the blade and blade housing and clean them with a brush and cleaner. For best results, clean the Whizard Quantum® Trimmer with EXTRA© Heavy Duty Cleaner, diluted according to the directions on the container. Rinse thoroughly with water and dry. *Refer to Section 7, Cleaning Equipment.*

Remove the hand straps from the handpiece. *Refer to Section 5, Remove the Optional Whizard® Micro-Break Hand Straps.* Clean the straps in warm, soapy water.

Before assembly, rinse well with clean water, dry, and assemble. *Refer to Section 5, Assembly of Handpiece.*

CLEANING AFTER BLADE SHARPENING

After sharpening blade, all abrasive dust must be completely removed from the handpiece. Disassemble the unit and carefully wash each piece with hot, soapy water and a small brush.

Section 7

Service Parts

CONTENTS OF THIS SECTION

Whizard Q350 Assembly	7-4
Whizard Q360 Assembly	7-6
Whizard Q440 Assembly	7-8
Whizard Q500 Assembly	7-10
Whizard Q500A Assembly	7-12
Whizard Q505 Assembly	7-14
Whizard Q620 Assembly	7-16
Whizard Q620A Assembly	7-18
Whizard Q625 Assembly	7-20
Whizard Q750 Assembly	7-22
Whizard Q850 Assembly	7-24
Whizard Q880-B Assembly	7-28
Whizard Q880-S Assembly	7-30



The manufacturer assumes no liability for any unauthorized changes in operating procedures or for unauthorized changes or modifications made to the design of the machine or any factory-installed safety equipment, whether these changes are made by the owner of this equipment, by his employees, or by service providers not previously approved by Bettcher Industries, Inc.

Use only replacement parts manufactured by Bettcher Industries, Inc. Use of substitute parts will void the warranty and may cause injury to operators and damage to equipment.

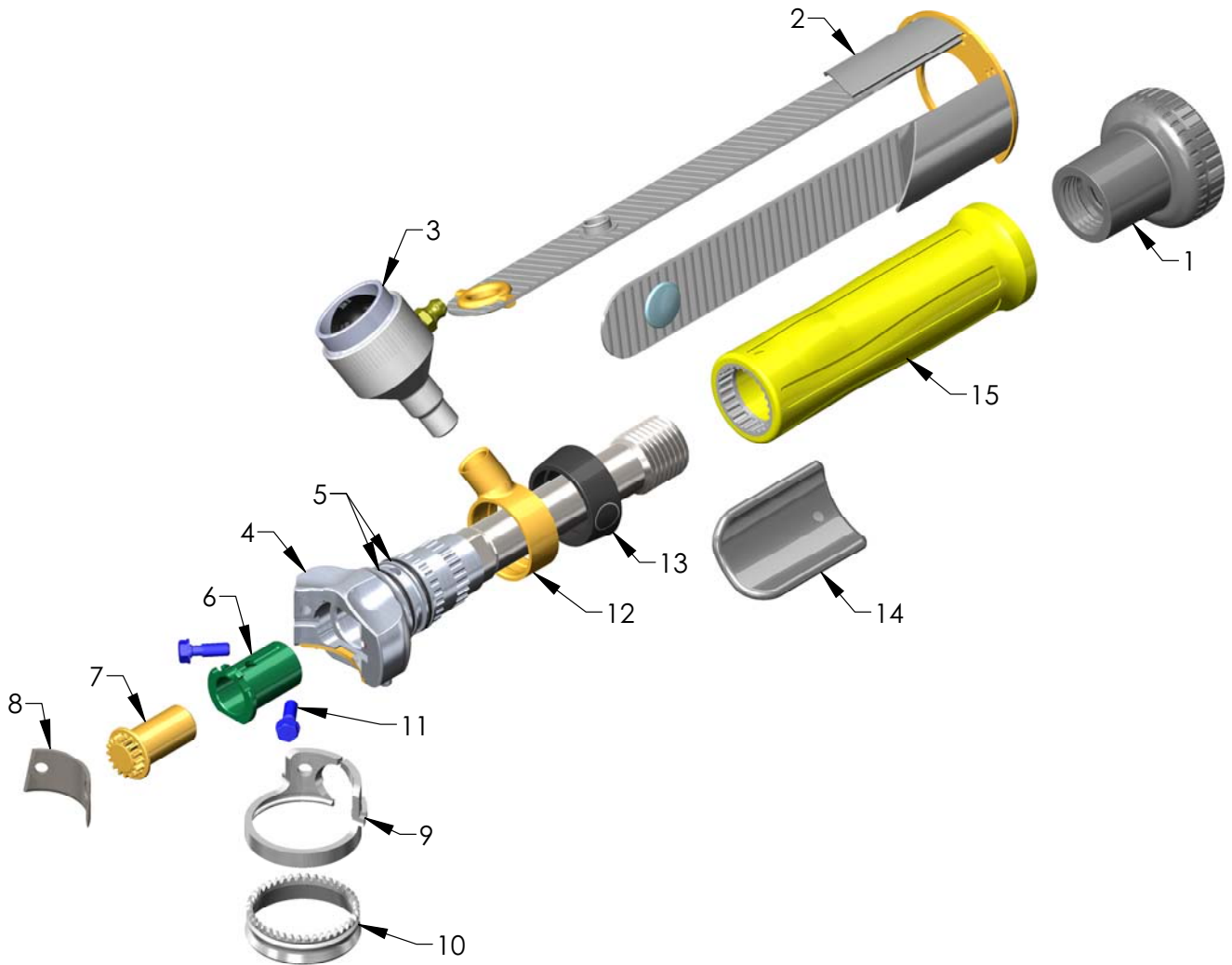
The use of parts other than those listed in the parts list for the specific model may cause blade lock-up, resulting in an unsafe operating condition.

CONTENTS OF THIS SECTION (CONTINUED)

Whizard Q1850 Assembly	7-32
Whizard Q1880 Assembly	7-36
Whizard Q1000 Assembly	7-38
Whizard Q1300 Assembly	7-42
Whizard Q1400 Assembly	7-46
Whizard Q1500 Assembly	7-48
Whizard Quantum® Driveline Assembly	7-50
Optional Post Handle	7-52
Cleaning Solution	7-54
Cleaning Equipment	7-54
Also Available (Continued)	7-55
Optional Blades	7-55
Blade Sharpening and Steeling Equipment	7-56
Covers and Depth Gauges	7-57
Tools	7-57

THIS PAGE INTENTIONALLY LEFT BLANK

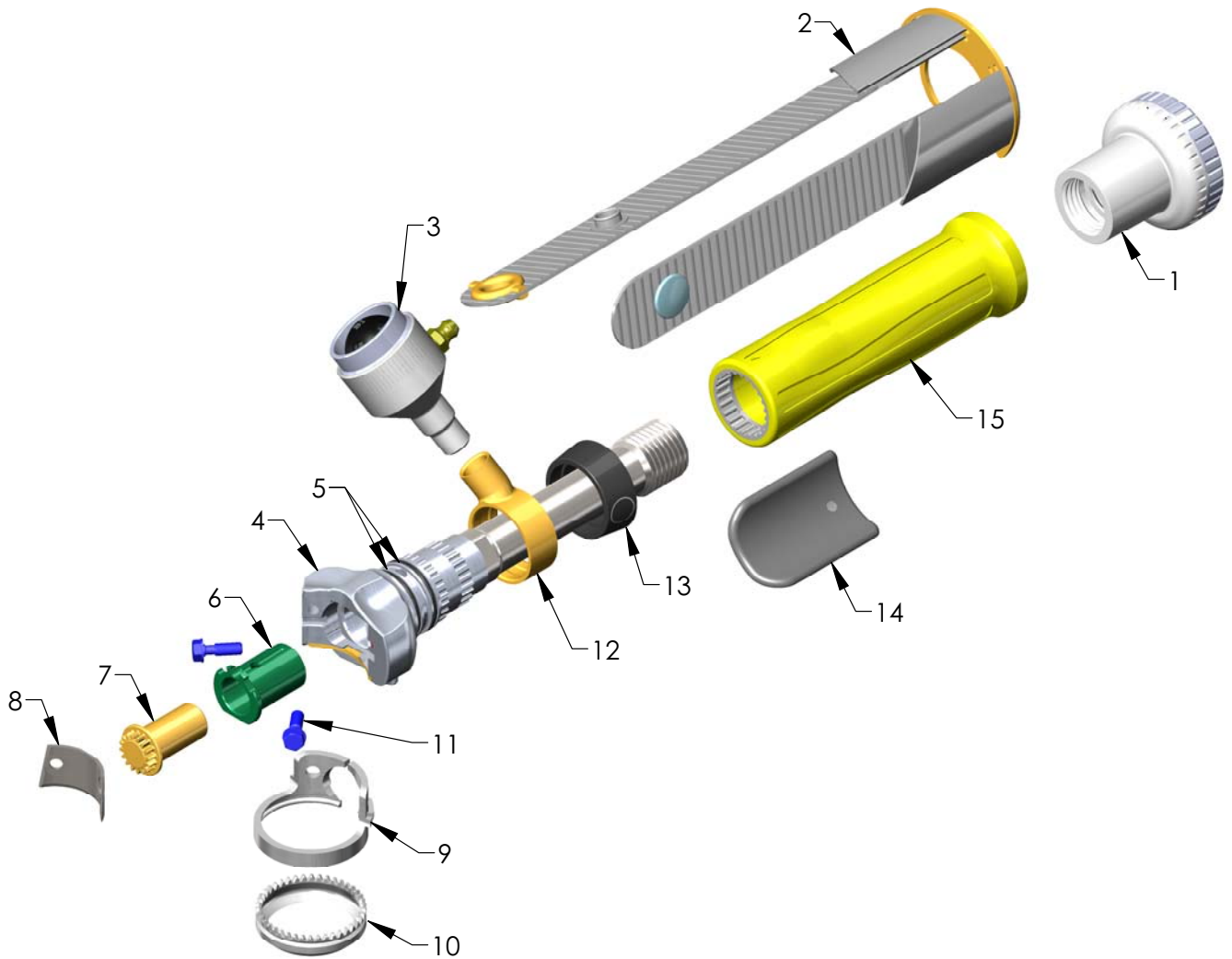
WHIZARD Q350 ASSEMBLY



WHIZARD Q350 ASSEMBLY (CONTINUED)

ITEM	DESCRIPTION	PART NUMBER
1	Handle Retaining Knob	100649
2	Whizard® Strap Assembly	103060
3	Grease Cup	101090
	Parts for Grease Cup	--
	Washer	123523
	Retainer Ring Only	101576
	Bulb	163265
	Base and Fitting	101089
4	Frame Assembly	101640
5	Frame o-rings (2 required)	103388
6	Bearing	100996
7	Pinion	183651
8	Cover	183648
9	Blade Housing	102075
10	Blade	102076
11	Cover Retaining Screw (2 required)	103758
12	Grease Ring	100961
13	Handle Spacer Ring (Small Handle)	101030
	Handle Spacer Ring (Medium and Large Handles)	101130
14	Thumb Support Assembly	101021
15	Handle (Small)	100639
	Handle (Medium)	100693
	Handle (Large)	100694

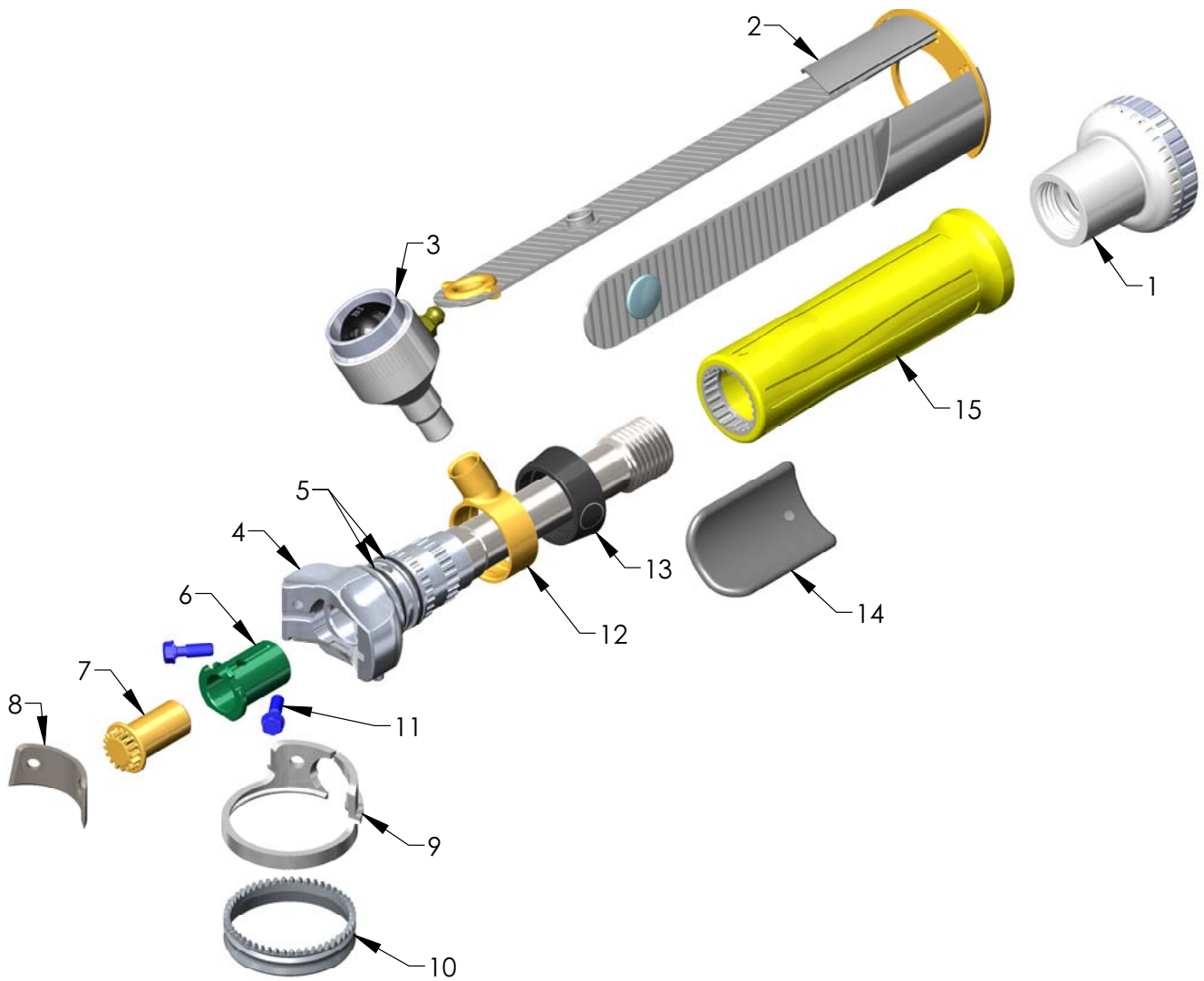
WHIZARD Q360 ASSEMBLY



WHIZARD Q360 ASSEMBLY (CONTINUED)

ITEM	DESCRIPTION	PART NUMBER
1	Handle Retaining Knob	100649
2	Whizard® Strap Assembly	103060
3	Grease Cup	101090
	Parts for Grease Cup	--
	Washer	123523
	Retainer Ring Only	101576
	Bulb	163265
	Base and Fitting	101089
4	Frame Assembly	101640
5	Frame o-rings (2 required)	103388
6	Bearing	100996
7	Pinion	183651
8	Cover	183648
9	Blade Housing	102075
10	Blade	102077
11	Cover Retaining Screw (2 required)	103758
12	Grease Ring	100961
13	Handle Spacer Ring (Small Handle)	101030
	Handle Spacer Ring (Medium and Large Handles)	101130
14	Thumb Support Assembly	101021
15	Handle (Small)	100639
	Handle (Medium)	100693
	Handle (Large)	100694

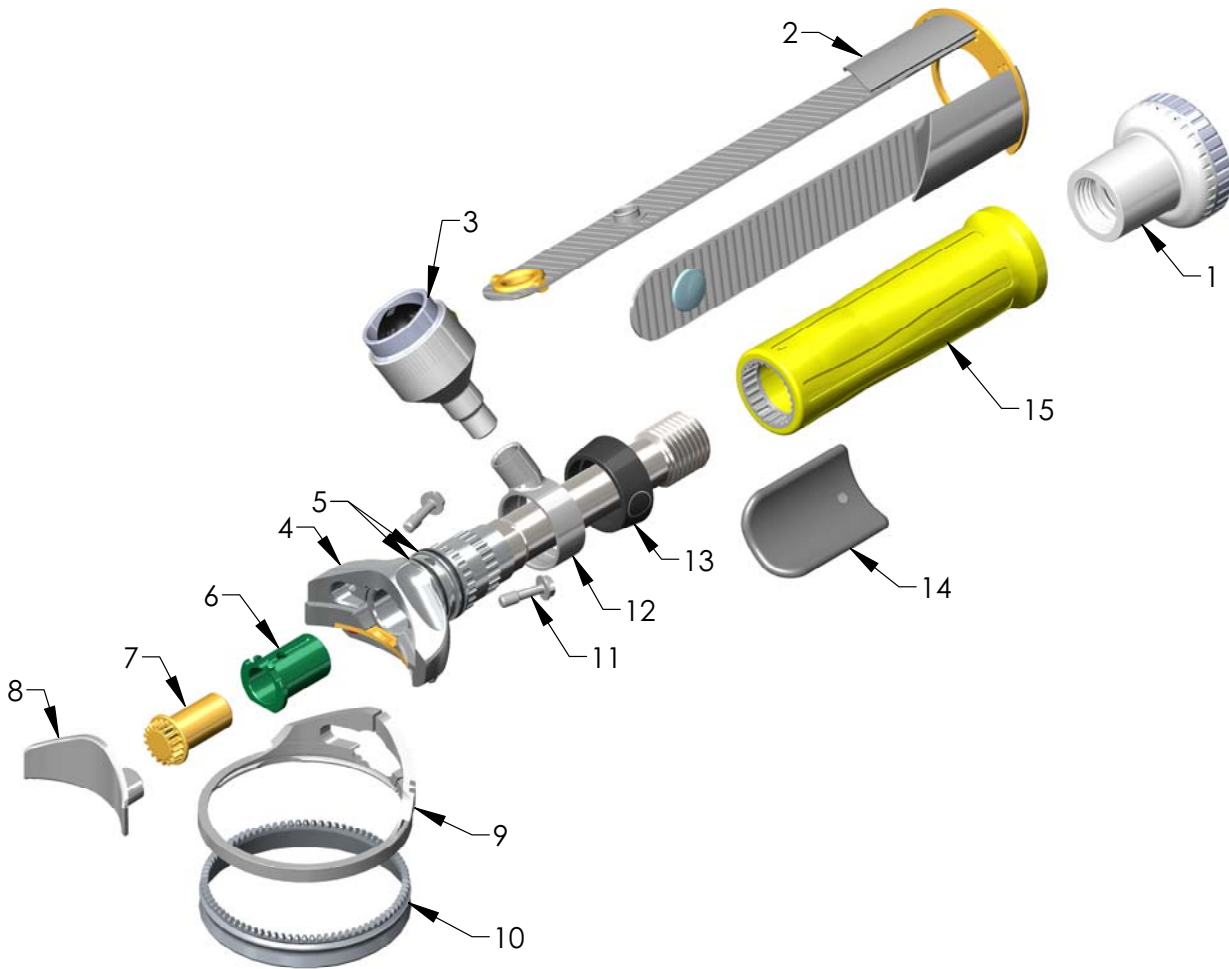
WHIZARD Q440 ASSEMBLY



WHIZARD Q440 ASSEMBLY (CONTINUED)

ITEM	DESCRIPTION	PART NUMBER
1	Handle Retaining Knob	100649
2	Whizard® Strap Assembly	103060
3	Grease Cup	101090
	Parts for Grease Cup	--
	Washer	123523
	Retainer Ring Only	101576
	Bulb	163265
	Base and Fitting	101089
4	Frame Assembly	101677
5	Frame o-rings (2 required)	103388
6	Bearing	100996
7	Pinion	183651
8	Cover	183870
9	Blade Housing	102080
10	Blade	102081
11	Cover Retaining Screw (2 required)	103758
12	Grease Ring	100961
13	Handle Spacer Ring (Small Handle)	101030
	Handle Spacer Ring (Medium and Large Handles)	101130
14	Thumb Support Assembly	101021
15	Handle (Small)	100639
	Handle (Medium)	100693
	Handle (Large)	100694

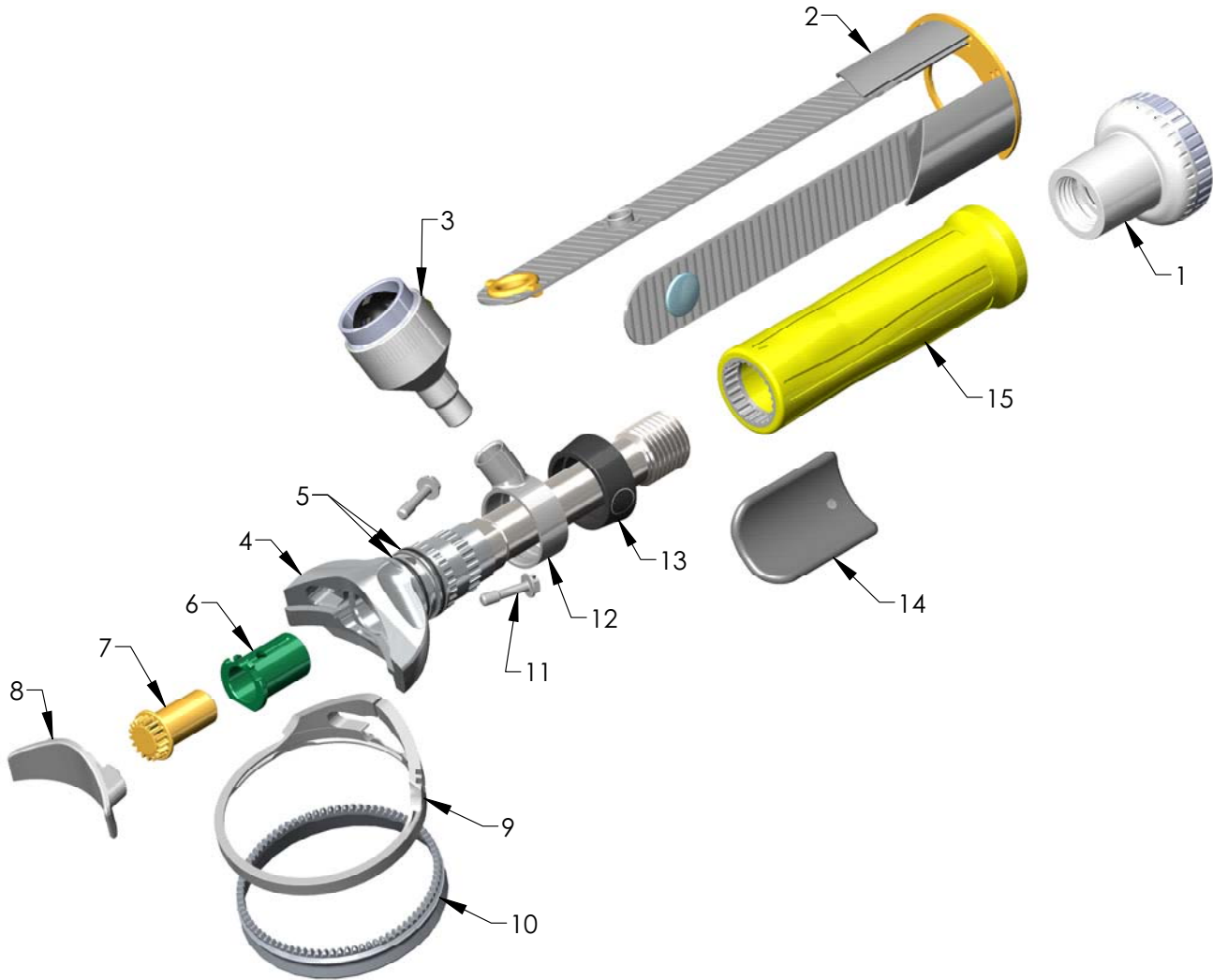
WHIZARD Q500 ASSEMBLY



WHIZARD Q500 ASSEMBLY (CONTINUED)

ITEM	DESCRIPTION	PART NUMBER
1	Handle Retaining Knob	100649
2	Whizard® Strap Assembly	103060
3	Grease Cup	101090
	Parts for Grease Cup	--
	Washer	123523
	Retainer Ring Only	101576
	Bulb	163265
	Base and Fitting	101089
4	Frame Assembly	101615
5	Frame o-rings (2 required)	103388
6	Bearing	100996
7	Pinion	183365
8	Cover	101585
9	Blade Housing	102090
10	Blade	102083
11	Cover Retaining Screw (2 required)	183376
12	Grease Ring	100961
13	Handle Spacer Ring (Small Handle)	101030
	Handle Spacer Ring (Medium and Large Handles)	101130
14	Thumb Support Assembly	101021
15	Handle (Small)	100639
	Handle (Medium)	100693
	Handle (Large)	100694

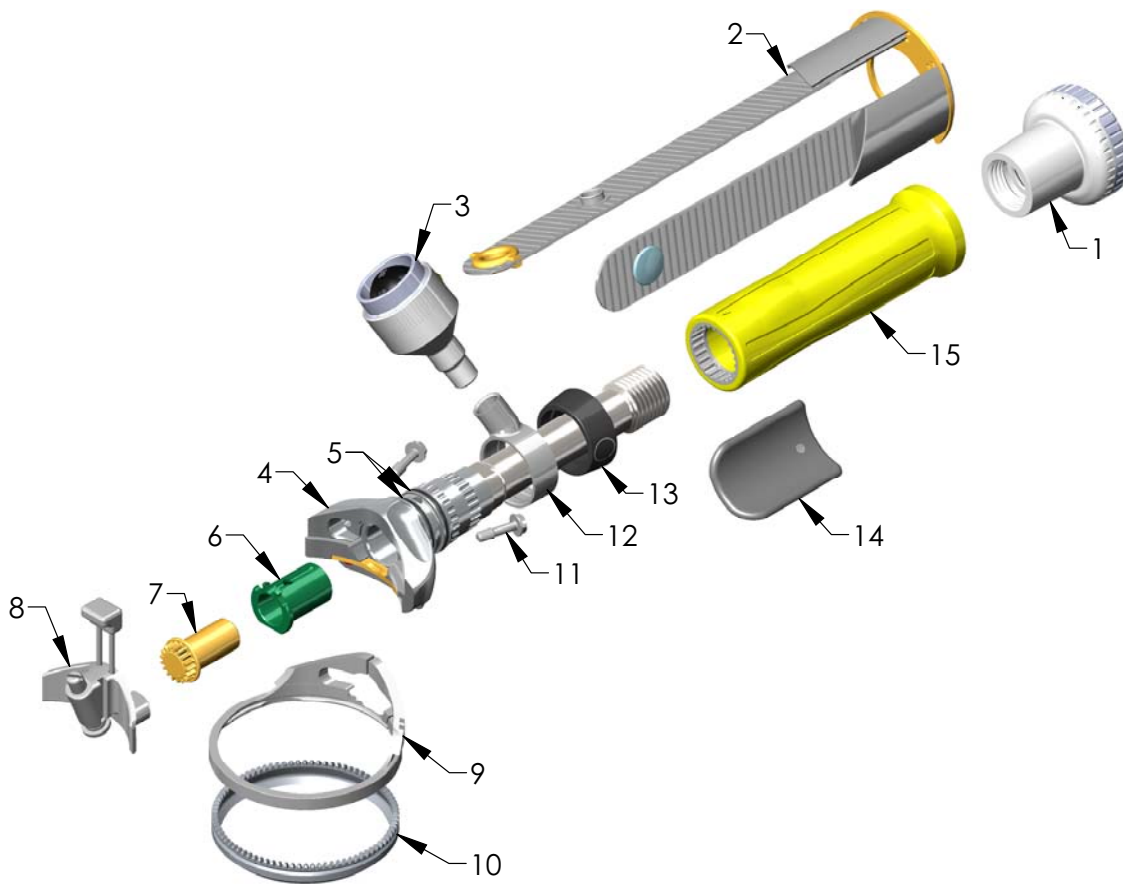
WHIZARD Q500A ASSEMBLY



WHIZARD Q500A ASSEMBLY (CONTINUED)

ITEM	DESCRIPTION	PART NUMBER
1	Handle Retaining Knob	100649
2	Whizard® Strap Assembly	103060
3	Grease Cup	101090
	Parts for Grease Cup	--
	Washer	123523
	Retainer Ring Only	101576
	Bulb	163265
	Base and Fitting	101089
4	Frame Assembly	101616
5	Frame o-rings (2 required)	103388
6	Bearing	100996
7	Pinion	183367
8	Cover	101586
9	Blade Housing	102090
10	Blade	102083
11	Cover Retaining Screw (2 required)	183377
12	Grease Ring	100961
13	Handle Spacer Ring (Small Handle)	101030
	Handle Spacer Ring (Medium and Large Handles)	101130
14	Thumb Support Assembly	101021
15	Handle (Small)	100639
	Handle (Medium)	100693
	Handle (Large)	100694

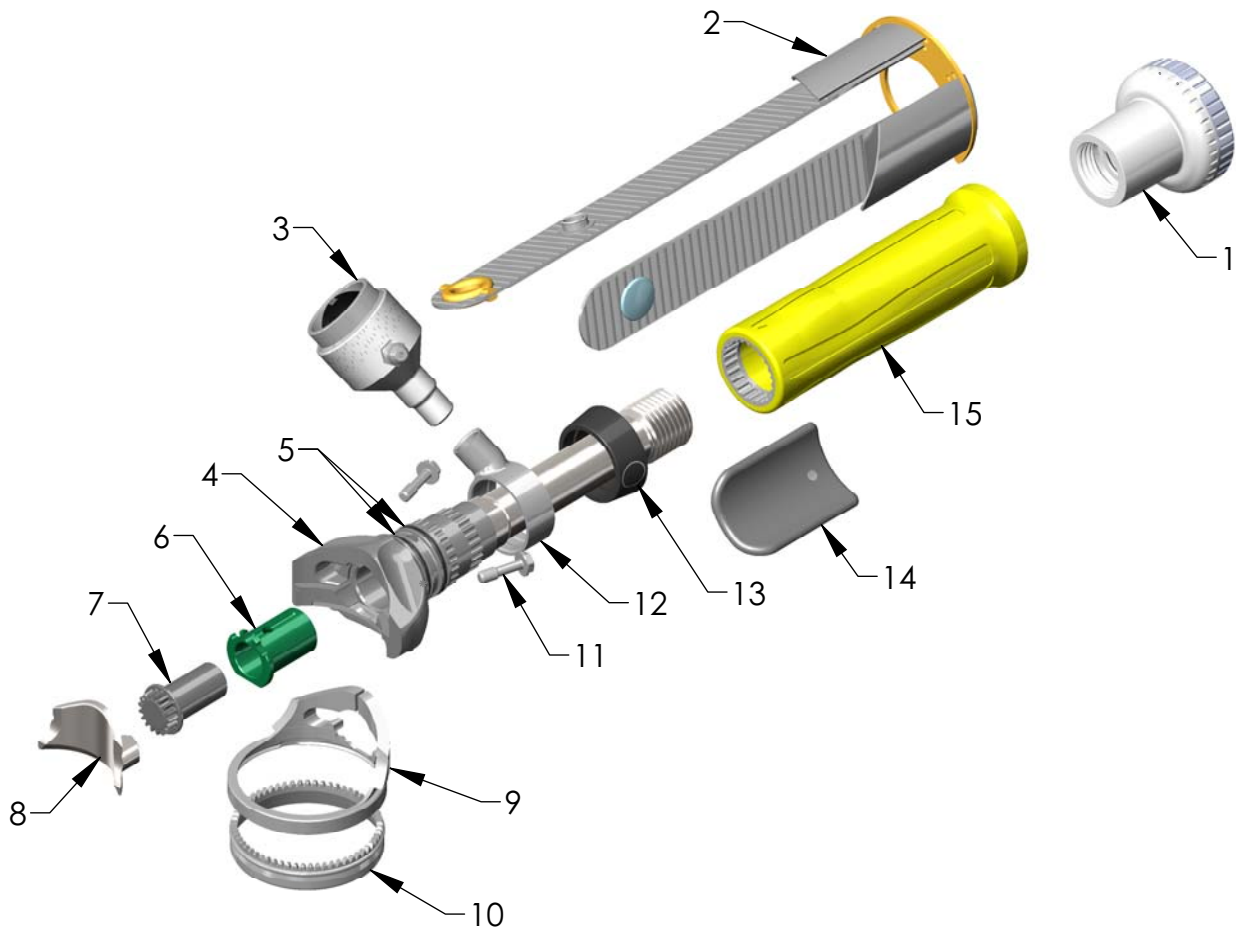
WHIZARD Q505 ASSEMBLY



WHIZARD Q505 ASSEMBLY (CONTINUED)

ITEM	DESCRIPTION	PART NUMBER
1	Handle Retaining Knob	100649
2	Whizard® Strap Assembly	103060
3	Grease Cup	101090
	Parts for Grease Cup	--
	Washer	123523
	Retainer Ring Only	101576
	Bulb	163265
	Base and Fitting	101089
4	Frame Assembly	101615
5	Frame o-rings (2 required)	103388
6	Bearing	100996
7	Pinion	183365
8	Cover with special Steeling Device	101597
	Repair Kit for Steeling Device (Not Shown)	183655
9	Blade Housing	102090
10	Blade	102086
11	Cover Retaining Screw (2 required)	183376
12	Grease Ring	100961
13	Handle Spacer Ring (Small Handle)	101030
	Handle Spacer Ring (Medium and Large Handles)	101130
14	Thumb Support Assembly	101021
15	Handle (Small)	100639
	Handle (Medium)	100693
	Handle (Large)	100694

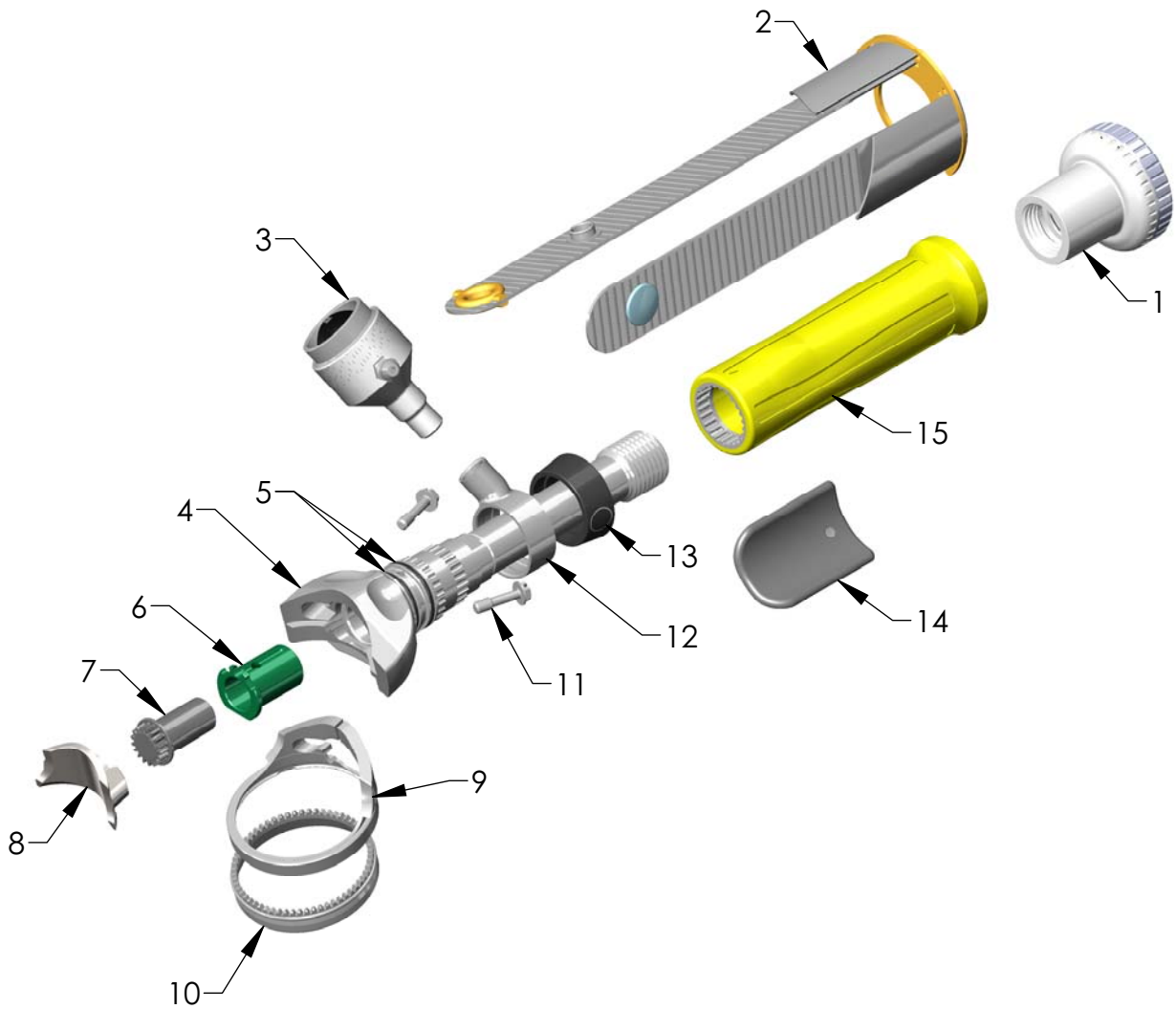
WHIZARD Q620 ASSEMBLY



WHIZARD Q620 ASSEMBLY (CONTINUED)

ITEM	DESCRIPTION	PART NUMBER
1	Handle Retaining Knob	100649
2	Whizard® Strap Assembly	103060
3	Grease Cup	101090
	Parts for Grease Cup	--
	Washer	123523
	Retainer Ring Only	101576
	Bulb	163265
	Base and Fitting	101089
4	Frame Assembly	101086
5	Frame o-rings (2 required)	103388
6	Bearing	100996
7	Pinion	183365
8	Cover	101039
9	Blade Housing	102074
10	Blade	102078
11	Cover Retaining Screw (2 required)	183376
12	Grease Ring	100961
13	Handle Spacer Ring (Small Handle)	101030
	Handle Spacer Ring (Medium and Large Handles)	101130
14	Thumb Support Assembly	101021
15	Handle (Small)	100639
	Handle (Medium)	100693
	Handle (Large)	100694

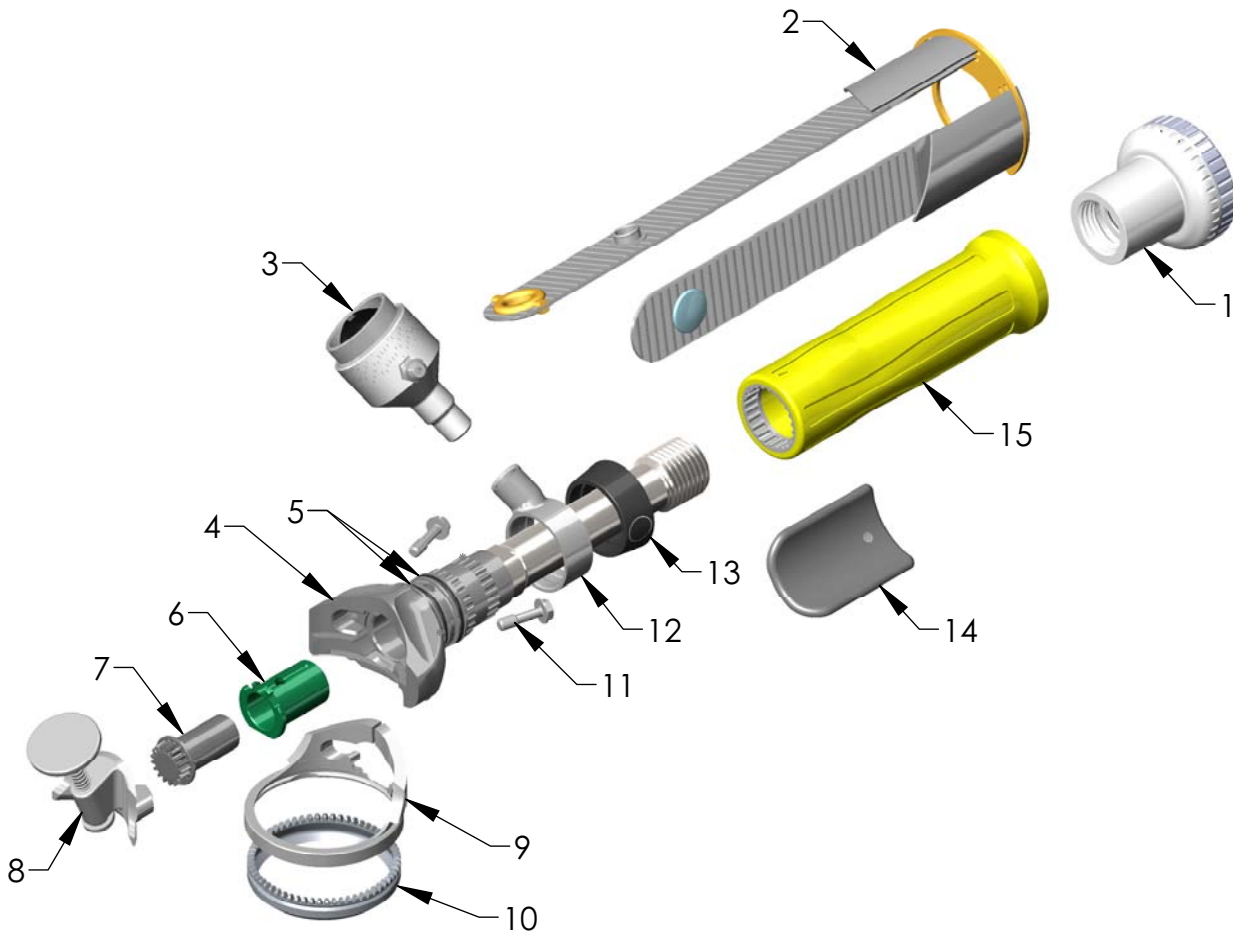
WHIZARD Q620A ASSEMBLY



WHIZARD Q620A ASSEMBLY (CONTINUED)

ITEM	DESCRIPTION	PART NUMBER
1	Handle Retaining Knob	100649
2	Whizard® Strap Assembly	103060
3	Grease Cup	101090
	Parts for Grease Cup	--
	Washer	123523
	Retainer Ring Only	101576
	Bulb	163265
	Base and Fitting	101089
4	Frame Assembly	101127
5	Frame o-rings (2 required)	103388
6	Bearing	100996
7	Pinion	183367
8	Cover	101114
9	Blade Housing	102074
10	Blade	102078
11	Cover Retaining Screw (2 required)	183377
12	Grease Ring	100961
13	Handle Spacer Ring (Small Handle)	101030
	Handle Spacer Ring (Medium and Large Handles)	101130
14	Thumb Support Assembly	101021
15	Handle (Small)	100639
	Handle (Medium)	100693
	Handle (Large)	100694

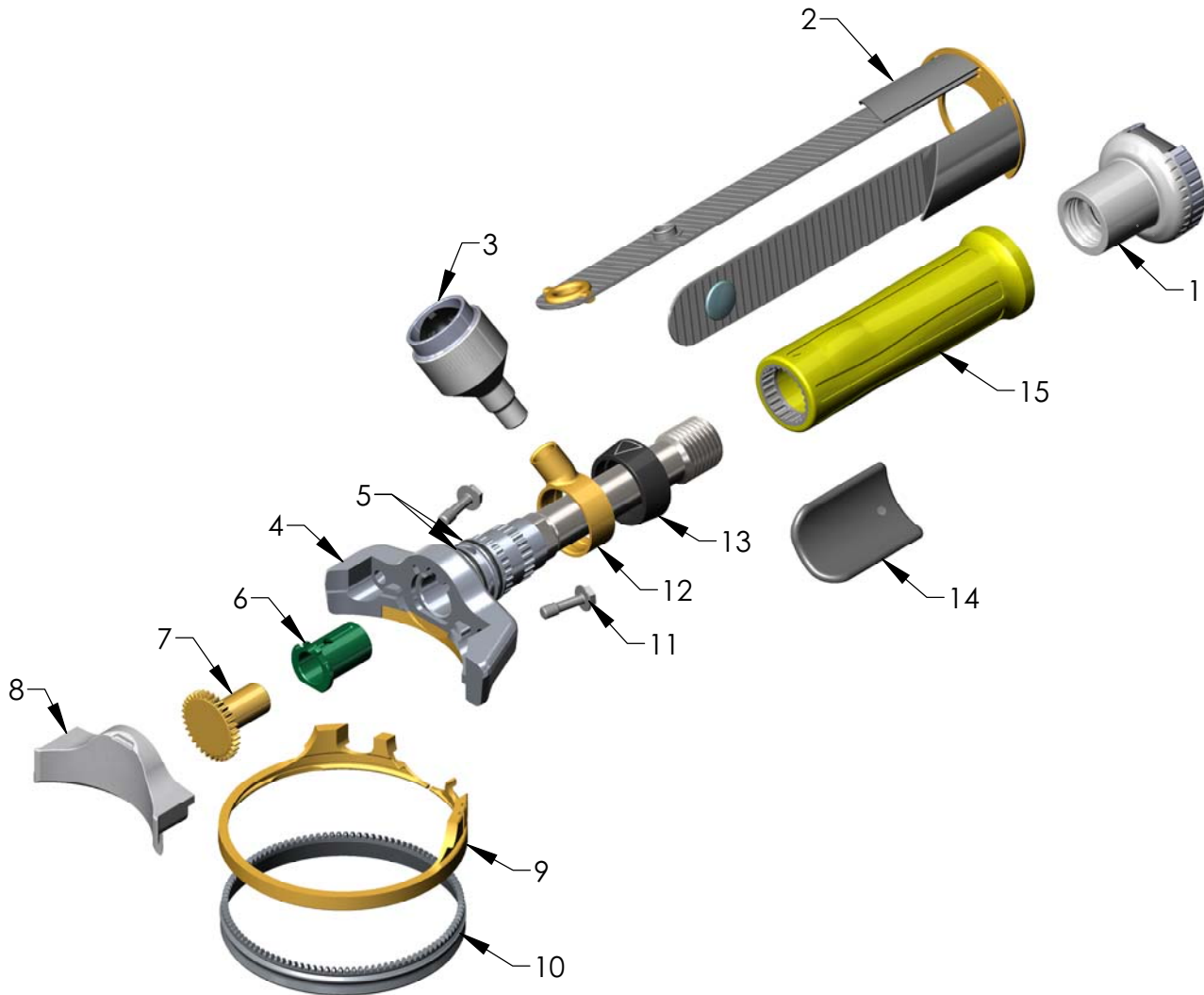
WHIZARD Q625 ASSEMBLY



WHIZARD Q625 ASSEMBLY (CONTINUED)

ITEM	DESCRIPTION	PART NUMBER
1	Handle Retaining Knob	100649
2	Whizard® Strap Assembly	103060
3	Grease Cup	101090
	Parts for Grease Cup	--
	Washer	123523
	Retainer Ring Only	101576
	Bulb	163265
	Base and Fitting	101089
4	Frame Assembly	101086
5	Frame o-rings (2 required)	103388
6	Bearing	100996
7	Pinion	183365
8	Cover with special Steeling Device	101078
	Repair Kit for Steeling Device (Not Shown)	183656
9	Blade Housing	102074
10	Blade	102079
11	Cover Retaining Screw (2 required)	183376
12	Grease Ring	100961
13	Handle Spacer Ring (Small Handle)	101030
	Handle Spacer Ring (Medium and Large Handles)	101130
14	Thumb Support Assembly	101021
15	Handle (Small)	100639
	Handle (Medium)	100693
	Handle (Large)	100694

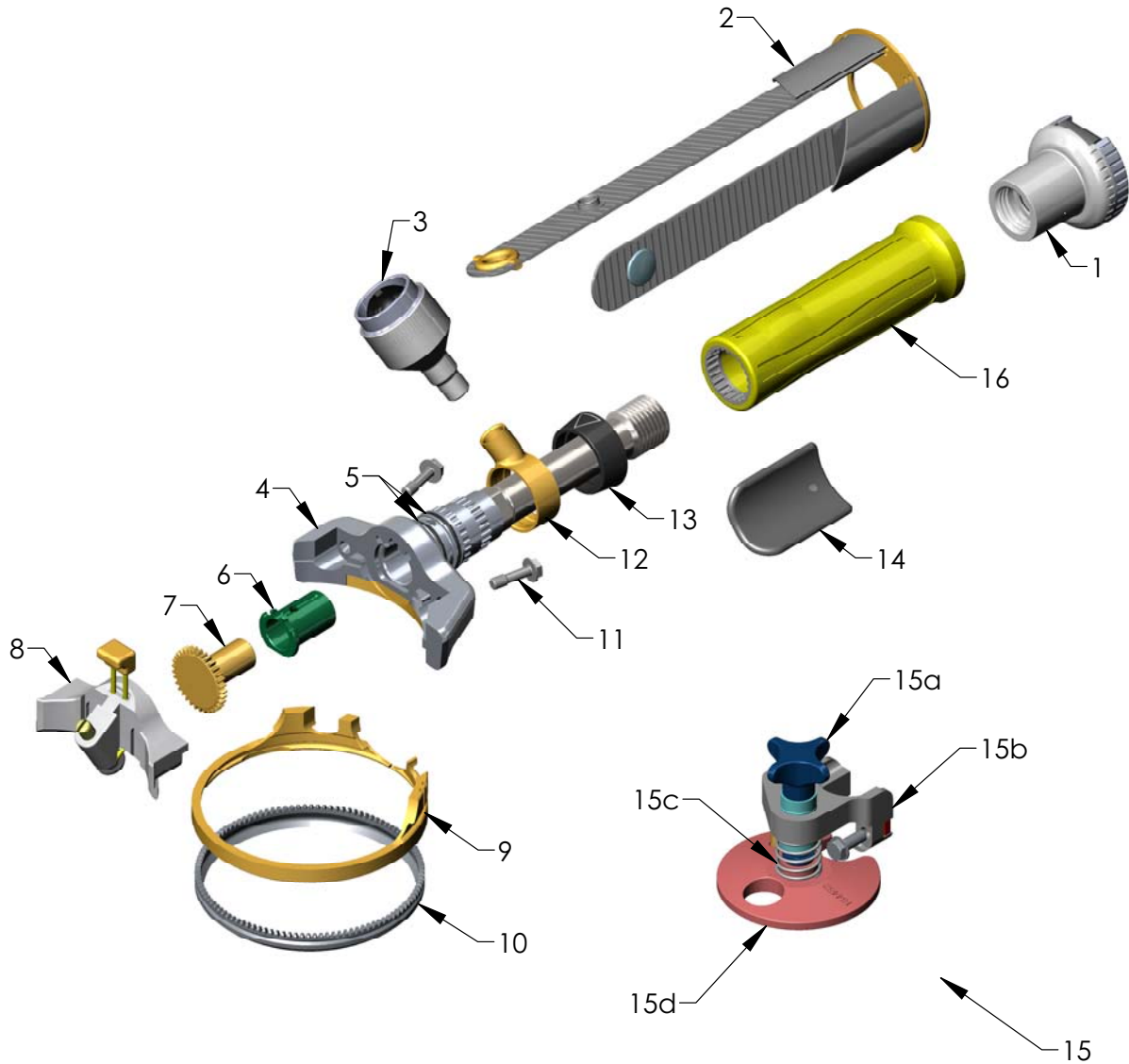
WHIZARD Q750 ASSEMBLY



WHIZARD Q750 ASSEMBLY (CONTINUED)

ITEM	DESCRIPTION	PART NUMBER
1	Handle Retaining Knob	100649
2	Whizard® Strap Assembly	103060
3	Grease Cup	100998
	Parts for Grease Cup	--
	Bulb and Washer	173208
	Retainer Ring Only	101577
	Base and Fitting	100999
4	Frame Assembly	101406
5	Frame o-rings (2 required)	103388
6	Bearing	100996
7	Pinion	183063
8	Cover	101374
9	Blade Housing	102089
10	Blade	102085
11	Cover Retaining Screw (2 required)	188017
12	Grease Ring	100961
13	Handle Spacer Ring (Small Handle)	101030
	Handle Spacer Ring (Medium and Large Handles)	101130
14	Thumb Support Assembly	101021
15	Handle (Small)	100639
	Handle (Medium)	100693
	Handle (Large)	100694

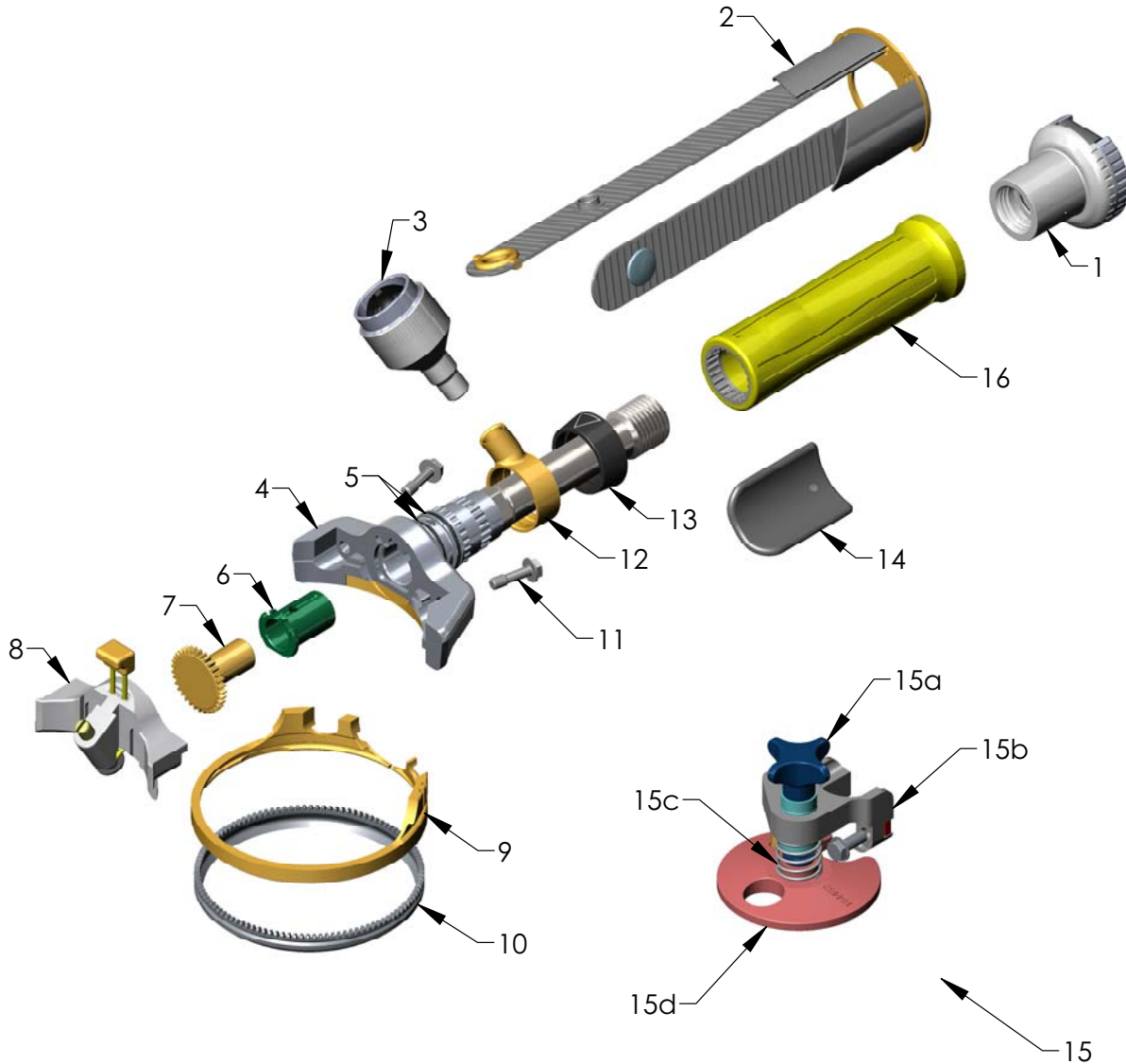
WHIZARD Q850 ASSEMBLY



WHIZARD Q850 ASSEMBLY (CONTINUED)

ITEM	DESCRIPTION	PART NUMBER
1	Handle Retaining Knob	100649
2	Whizard® Strap Assembly	103060
3	Grease Cup	100998
	Parts for Grease Cup	
	Retainer Ring Only	101577
	Bulb and Washer	173208
	Base and Fitting	100999
4	Frame Assembly	101406
5	Frame o-rings (2 required)	103388
6	Bearing	100996
7	Pinion	183063
8	Cover with Special Steeling Device	101437
--	Repair Kit (Not Shown)	183474
9	Blade Housing	102089
10	Blade	102087
11	Cover retaining Screw (2 required)	188017
12	Grease Ring	100961

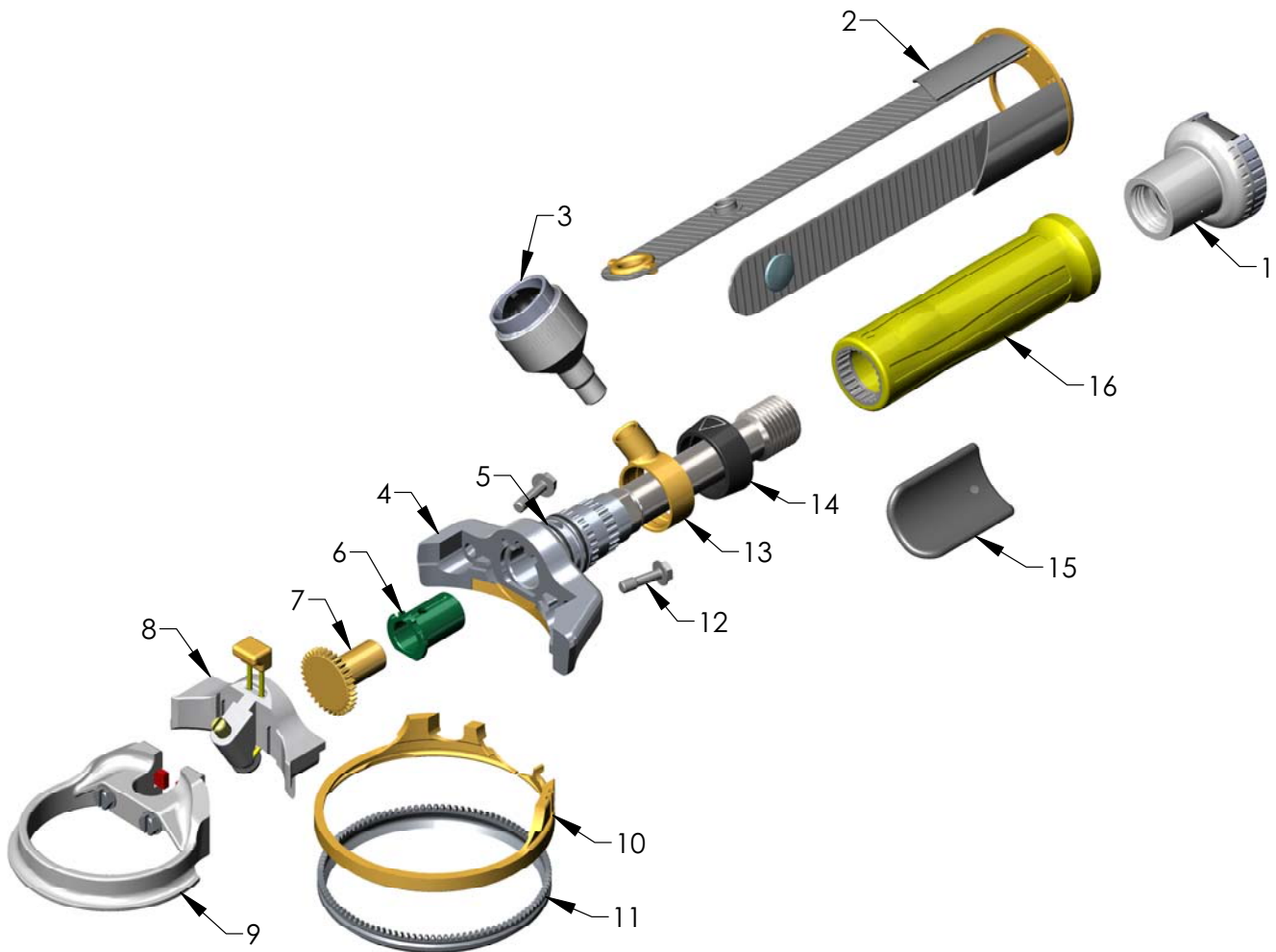
WHIZARD Q850 ASSEMBLY (CONTINUED)



WHIZARD Q850 ASSEMBLY (CONTINUED)

ITEM	DESCRIPTION	PART NUMBER
13	Handle Spacer Ring (Small Handle)	101030
	Handle Spacer Ring (Medium and Large Handles)	101130
14	Thumb Support Assembly	101021
15	Disc gauge Kit (Optional) Q850-S (Skinner)	183801
	Parts for Disc Gauge	
15a	Knob	183791
15b	Frame Assembly	183798
15c	Spring	121635
15d	Disc Assembly	183799
16	Handle (Small)	100639
	Handle (Medium)	100693
	Handle (Large)	100694

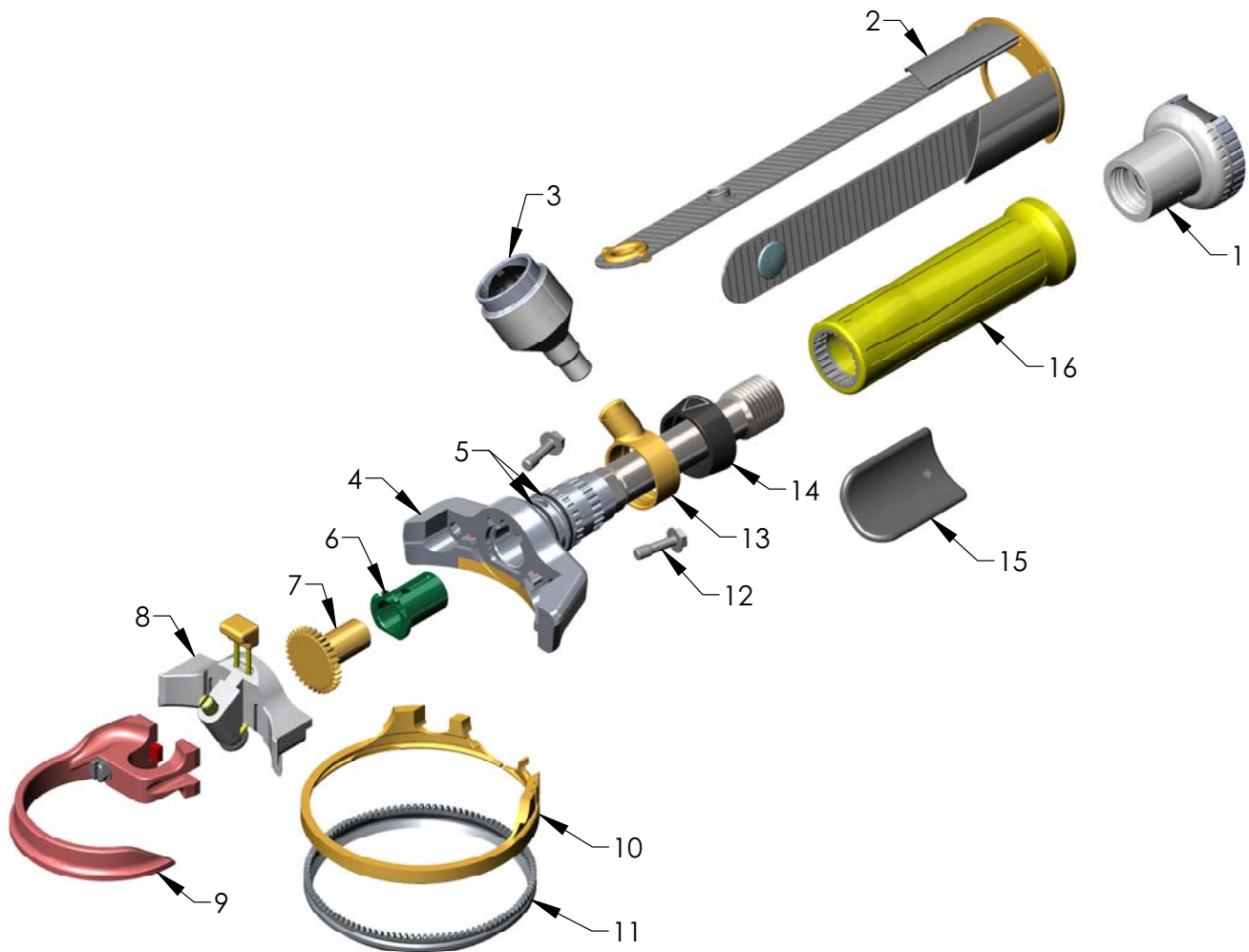
WHIZARD Q880-B ASSEMBLY



WHIZARD Q880-B ASSEMBLY (CONTINUED)

ITEM	DESCRIPTION	PART NUMBER
1	Handle Retaining Knob	100649
2	Whizard® Strap Assembly	103060
3	Grease Cup	100998
	Parts for Grease Cup	--
	Retainer Ring Only	101577
	Bulb and Washer	173208
	Base and Fitting	100999
4	Frame Assembly	101406
5	Frame o-rings (2 required)	103388
6	Bearing	100996
7	Pinion	183063
8	Cover with Special Steeling Device	101437
--	Repair Kit (Not Shown)	183474
9	Depth Gauge Assembly	183075
10	Blade Housing	102089
11	Blade	102087
12	Cover Retaining Screw (2 required)	188017
13	Grease Ring	100961
14	Handle Spacer Ring (Small Handle)	101030
	Handle Spacer Ring (Medium and Large Handles)	101130
15	Thumb Support Assembly	101021
16	Handle (Small)	100639
	Handle (Medium)	100693
	Handle (Large)	100694

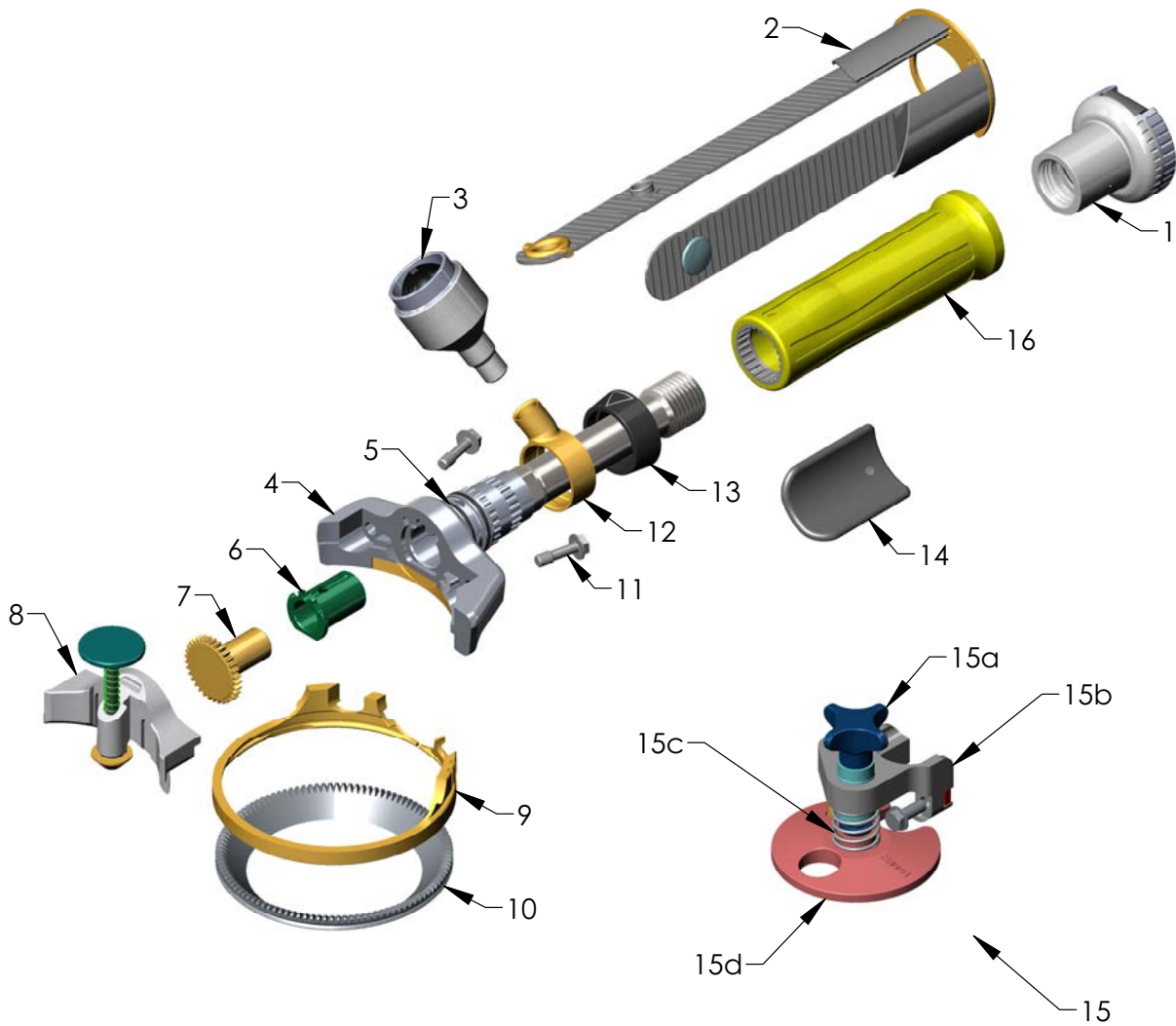
WHIZARD Q880-S ASSEMBLY



WHIZARD Q880-S ASSEMBLY (CONTINUED)

ITEM	DESCRIPTION	PART NUMBER
1	Handle Retaining Knob	100649
2	Whizard® Strap Assembly	103060
3	Grease Cup	100998
	Parts for Grease Cup	--
	Retainer Ring Only	101577
	Bulb and Washer	173208
	Base and Fitting	100999
4	Frame Assembly	101406
5	Frame o-rings (2 required)	103388
6	Bearing	100996
7	Pinion	183063
8	Cover with Special Steeling Device	101437
--	Repair Kit (Not Shown)	183474
9	Depth Gauge Assembly	183076
10	Blade Housing	102089
11	Blade	102087
12	Cover Retaining Screw (2 required)	188017
13	Grease Ring	100961
14	Handle Spacer Ring (Small Handle)	101030
	Handle Spacer Ring (Medium and Large Handles)	101130
15	Thumb Support Assembly	101021
16	Handle (Small)	100639
	Handle (Medium)	100693
	Handle (Large)	100694

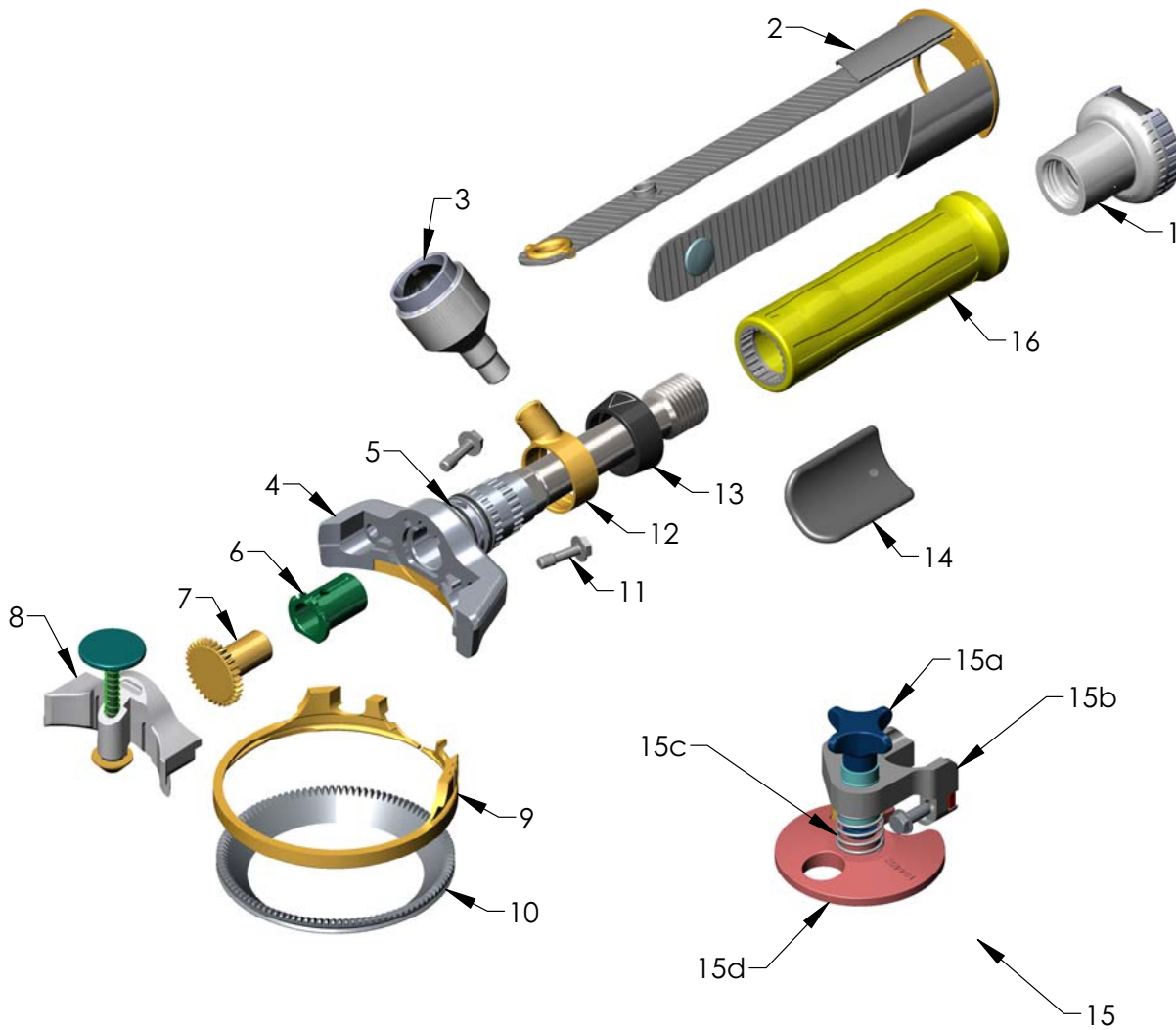
WHIZARD Q1850 ASSEMBLY



WHIZARD Q1850 ASSEMBLY (CONTINUED)

ITEM	DESCRIPTION	PART NUMBER
1	Handle Retaining Knob	100649
2	Whizard® Strap Assembly	103060
3	Grease Cup	100998
	Parts for Grease Cup	
	Retainer Ring Only	101577
	Bulb and Washer	173208
	Base and Fitting	100999
4	Frame Assembly	101406
5	Frame o-rings (2 required)	103388
6	Bearing	100996
7	Pinion	183063
8	Cover with Special Steeling Device	101443
--	Repair Kit (Not Shown)	183476
9	Blade Housing	102089
10	Blade	102088
11	Cover retaining Screw (2 required)	188017
12	Grease Ring	100961

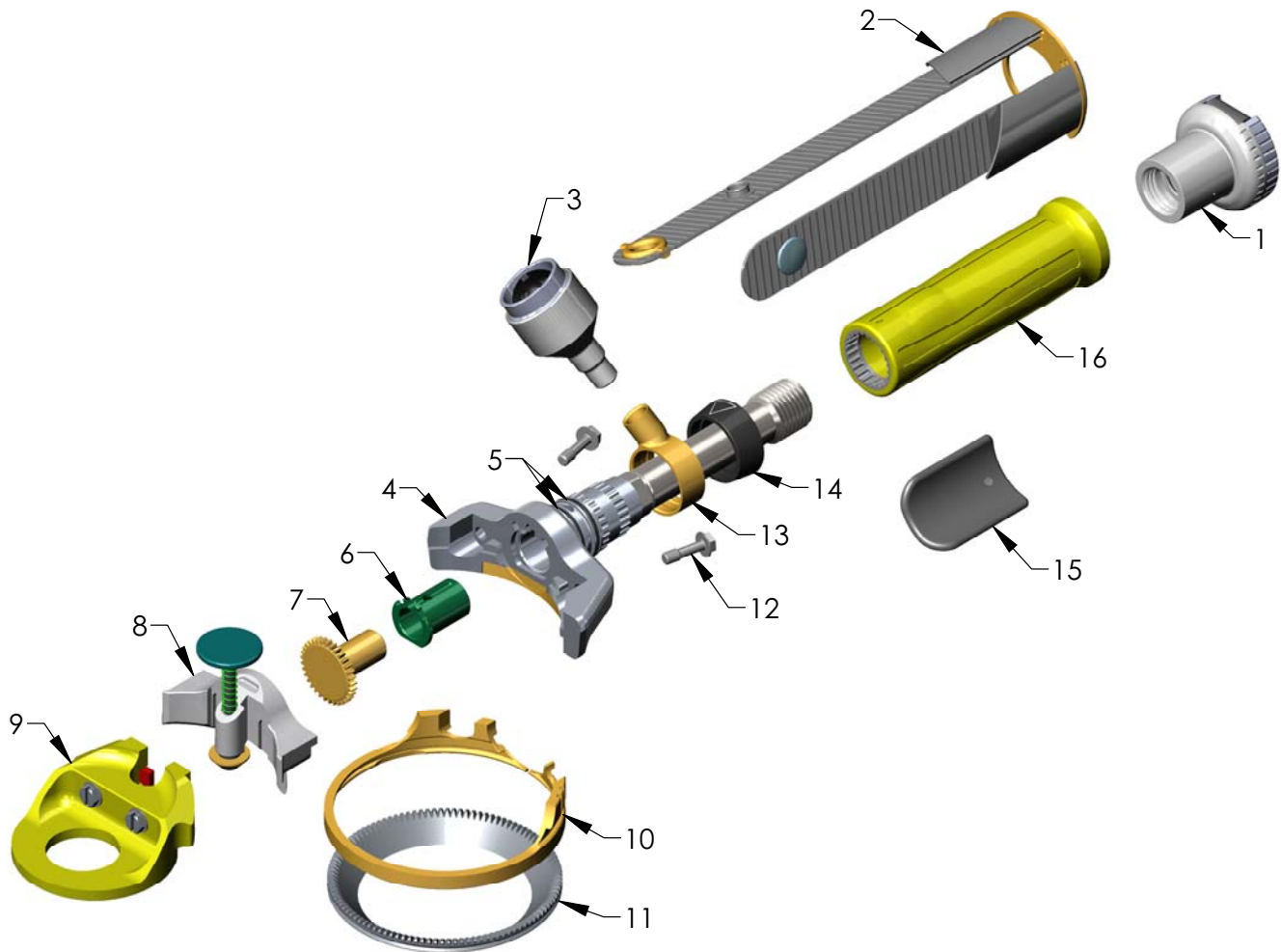
WHIZARD Q1850 ASSEMBLY (CONTINUED)



WHIZARD Q1850 (CONTINUED)

ITEM	DESCRIPTION	PART NUMBER
13	Handle Spacer Ring (Small Handle)	101030
	Handle Spacer Ring (Medium and Large Handles)	101130
14	Thumb Support Assembly	101021
15	Disc gauge Kit (Optional) Q1850-K	184479
	Parts for Disc Gauge	
15a	Knob	183791
15b	Frame Assembly	183798
15c	Spring	121635
15d	Disc Assembly	184481
16	Handle (Small)	100639
	Handle (Medium)	100693
	Handle (Large)	100694

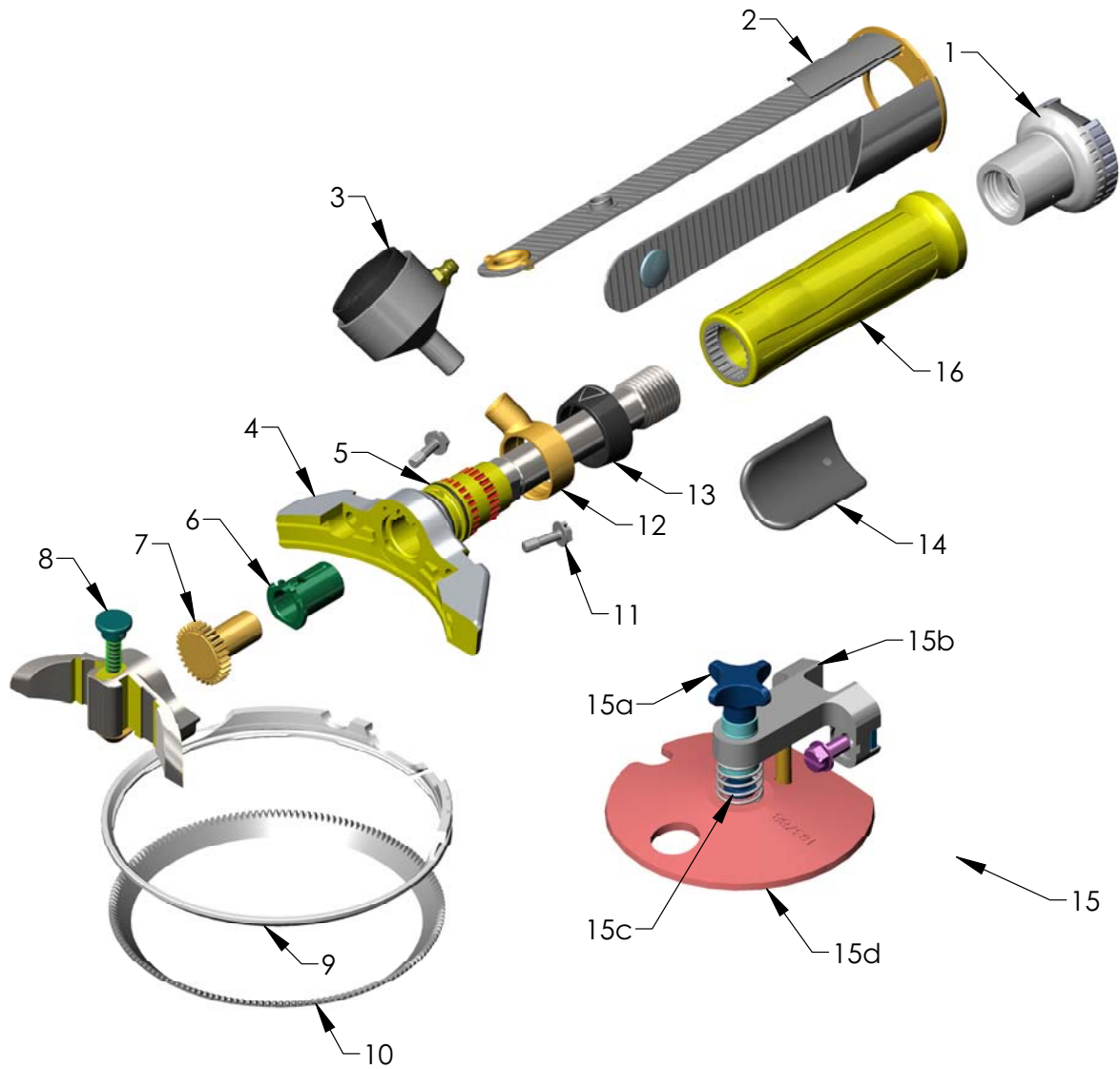
WHIZARD Q1880 ASSEMBLY



WHIZARD Q1880 ASSEMBLY (CONTINUED)

ITEM	DESCRIPTION	PART NUMBER
1	Handle Retaining Knob	100649
2	Whizard® Strap Assembly	103060
3	Grease Cup	100998
	Parts for Grease Cup	--
	Retainer Ring Only	101577
	Bulb and Washer	173208
	Base and Fitting	100999
4	Frame Assembly	101406
5	Frame o-rings (2 required)	103388
6	Bearing	100996
7	Pinion	183063
8	Cover with Special Steeling Device	101443
--	Repair Kit (Not Shown)	183476
9	Depth Gauge Assembly	183077
10	Blade Housing	102089
11	Blade	102088
12	Cover Retaining Screw (2 required)	188017
13	Grease Ring	100961
14	Handle Spacer Ring (Small Handle)	101030
	Handle Spacer Ring (Medium and Large Handles)	101130
15	Thumb Support Assembly	101021
16	Handle (Small)	100639
	Handle (Medium)	100693
	Handle (Large)	100694

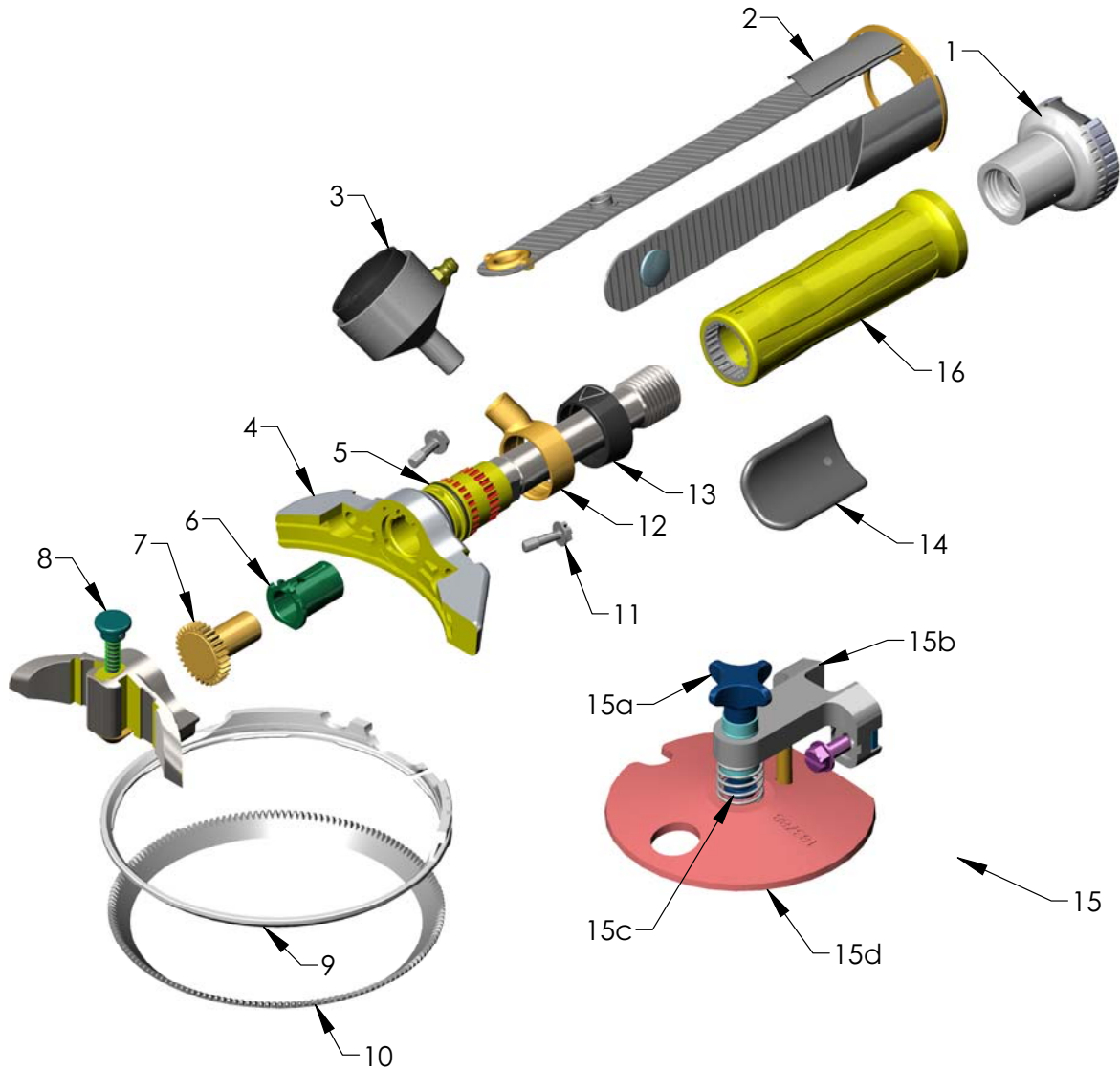
WHIZARD Q1000 ASSEMBLY



WHIZARD Q1000 ASSEMBLY (CONTINUED)

ITEM	DESCRIPTION	PART NUMBER
1	Handle Retaining Knob	100649
2	Whizard® Strap Assembly	103060
3	Grease Cup	100998
	Parts for Grease Cup	
	Retainer Ring Only	101577
	Bulb and Washer	173208
	Base and Fitting	100999
4	Frame Assembly	100956
5	Frame o-rings (2 required)	103388
6	Bearing	100996
7	Pinion	183154
8	Cover with Special Steeling Device	101031
--	Repair Kit (Not Shown)	183477
9	Blade Housing	100628
10	Blade	100629
11	Cover retaining Screw (2 required)	101046
12	Grease Ring	100961

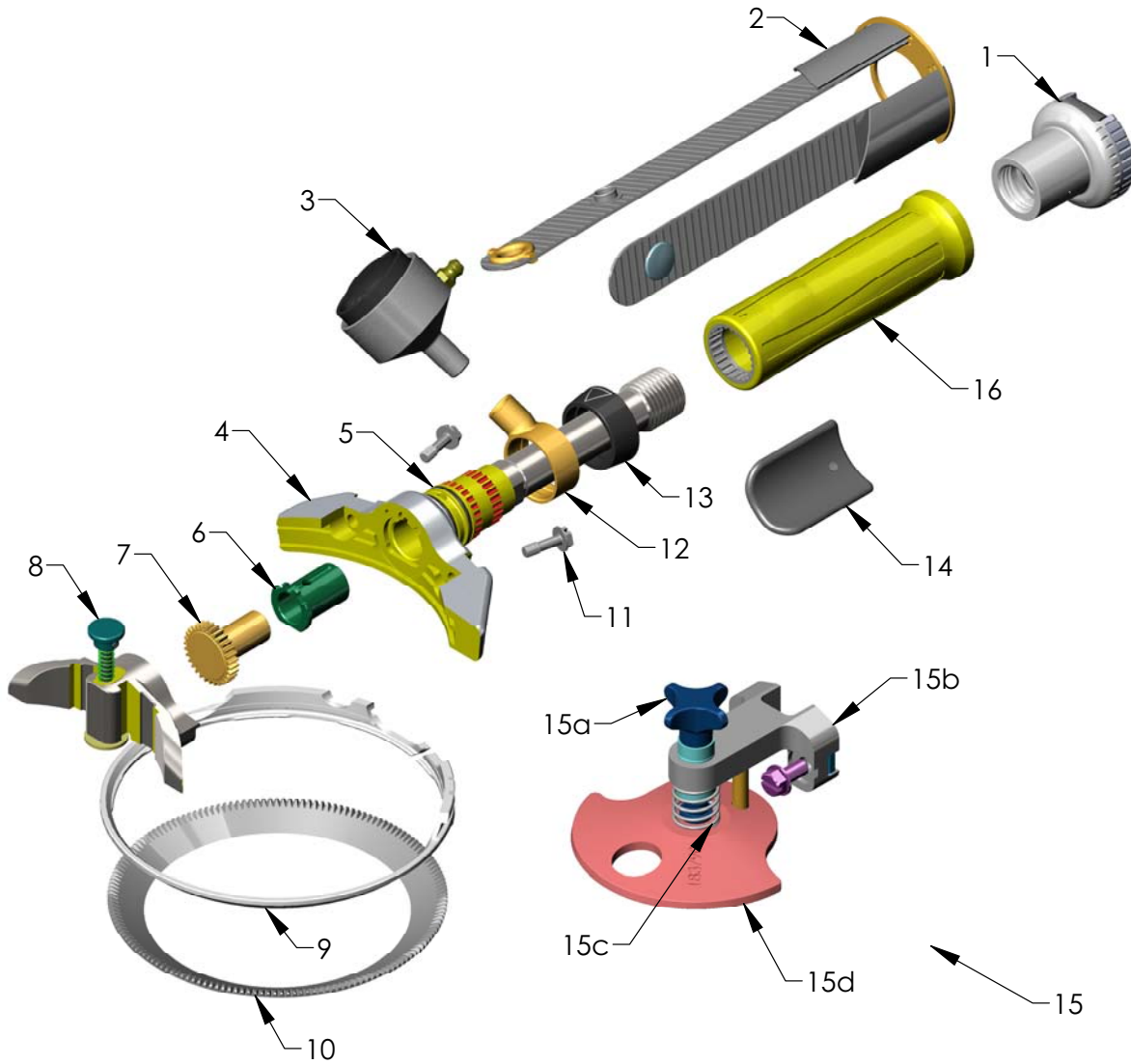
WHIZARD Q1000 ASSEMBLY (CONTINUED)



WHIZARD Q1000 ASSEMBLY (CONTINUED)

ITEM	DESCRIPTION	PART NUMBER
13	Handle Spacer Ring (Small Handle)	101030
	Handle Spacer Ring (Medium and Large Handles)	101130
14	Thumb Support Assembly	101021
15	Disc gauge Kit (Optional)	--
	Q1000-S (Skinner)	183792
	Q1000-F (Fat)	183793
	Q1000-N (Special)	184365
	Parts for Disc Gauge	
15a	Knob	183791
15b	Frame Assembly	183784
15c	Spring	121635
15d	Disc Assembly (S)	183787
	Disc Assembly (F)	183788
	Disc Assembly (N)	184367
16	Handle (Small)	100639
	Handle (Medium)	100693
	Handle (Large)	100694

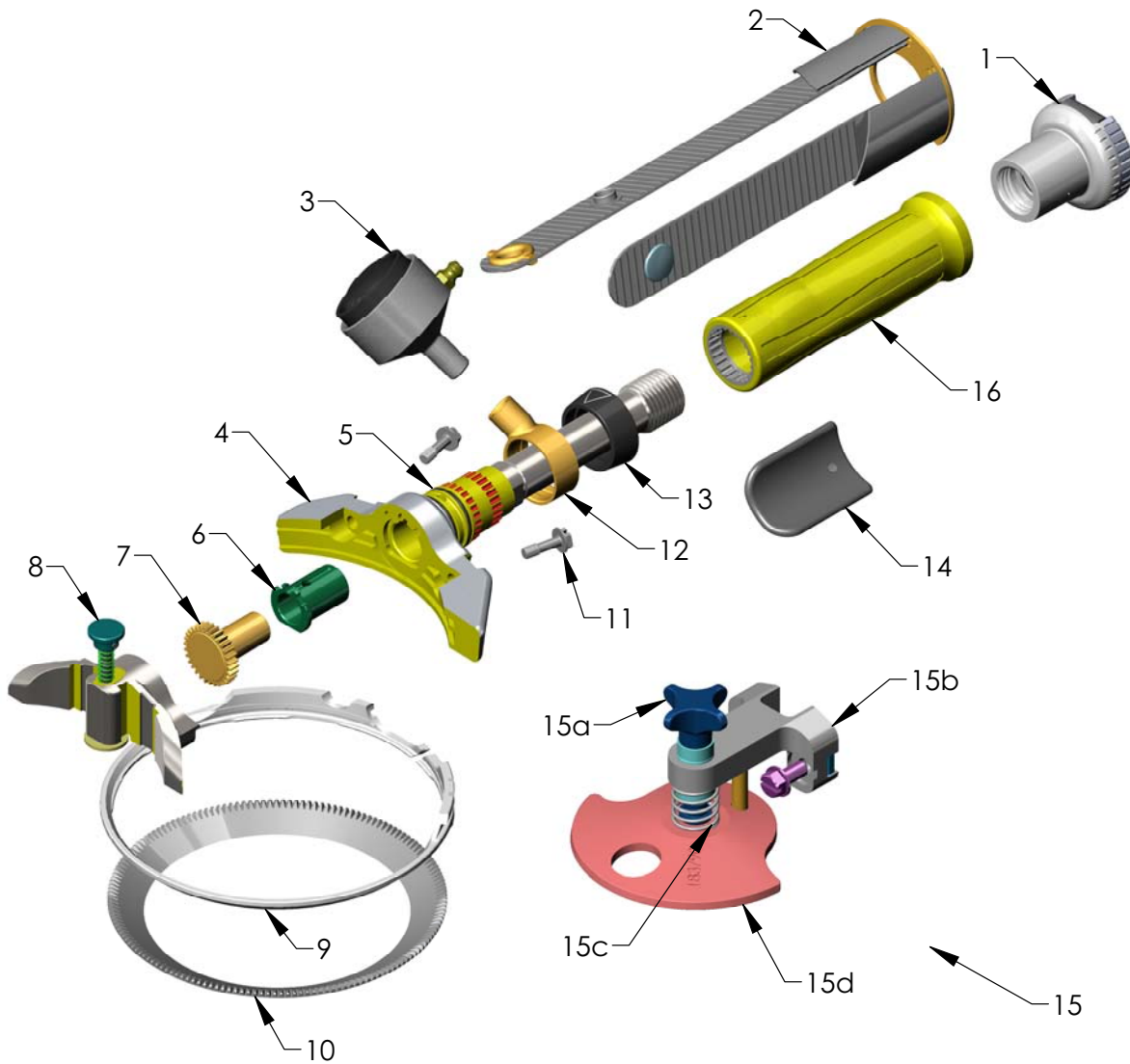
WHIZARD Q1300 ASSEMBLY



WHIZARD Q1300 ASSEMBLY (CONTINUED)

ITEM	DESCRIPTION	PART NUMBER
1	Handle Retaining Knob	100649
2	Whizard® Strap Assembly	103060
3	Grease Cup	100998
	Parts for Grease Cup	
	Retainer Ring Only	101577
	Bulb and Washer	173208
	Base and Fitting	100999
4	Frame Assembly	100956
5	Frame o-rings (2 required)	103388
6	Bearing	100996
7	Pinion	183154
8	Cover with Special Steeling Device	101032
--	Repair Kit (Not Shown)	183478
9	Blade Housing	100628
10	Blade	100630
11	Cover retaining Screw (2 required)	101046
12	Grease Ring	100961

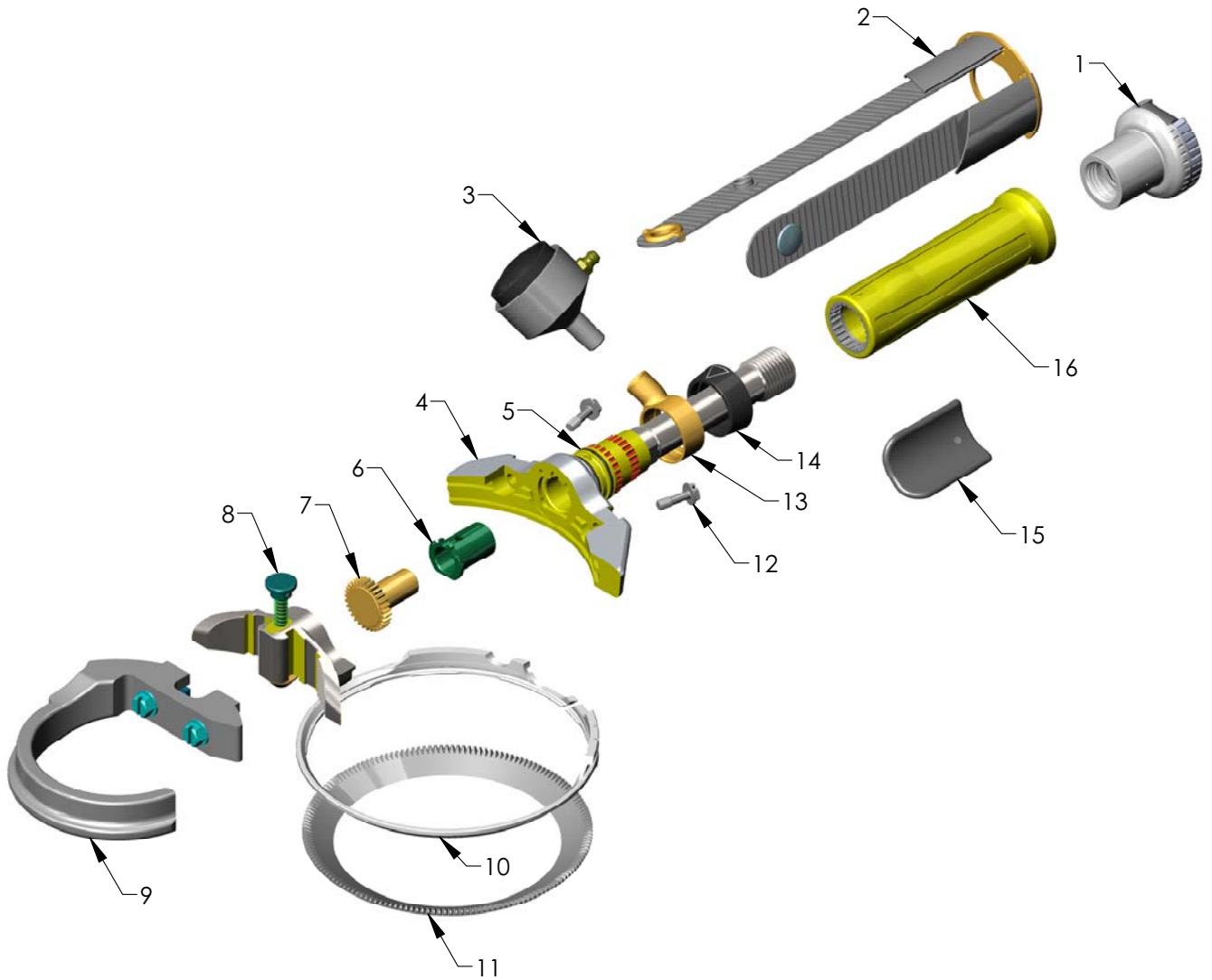
WHIZARD Q1300 ASSEMBLY (CONTINUED)



WHIZARD Q1300 ASSEMBLY (CONTINUED)

ITEM	DESCRIPTION	PART NUMBER
13	Handle Spacer Ring (Small Handle)	101030
	Handle Spacer Ring (Medium and Large Handles)	101130
14	Thumb Support Assembly	101021
15	Disc gauge Kit (Optional)	--
	Q1300-S (Skinner)	183794
	Q1300-F (Fat)	183795
	Q1300-K (Kebab)	184993
	Parts for Disc Gauge	
15a	Knob	183791
15b	Frame Assembly	183784
15c	Spring	121635
15d	Disc Assembly (S)	183789
	Disc Assembly (F)	183790
	Disc Assembly (N)	184994
16	Handle (Small)	100639
	Handle (Medium)	100693
	Handle (Large)	100694

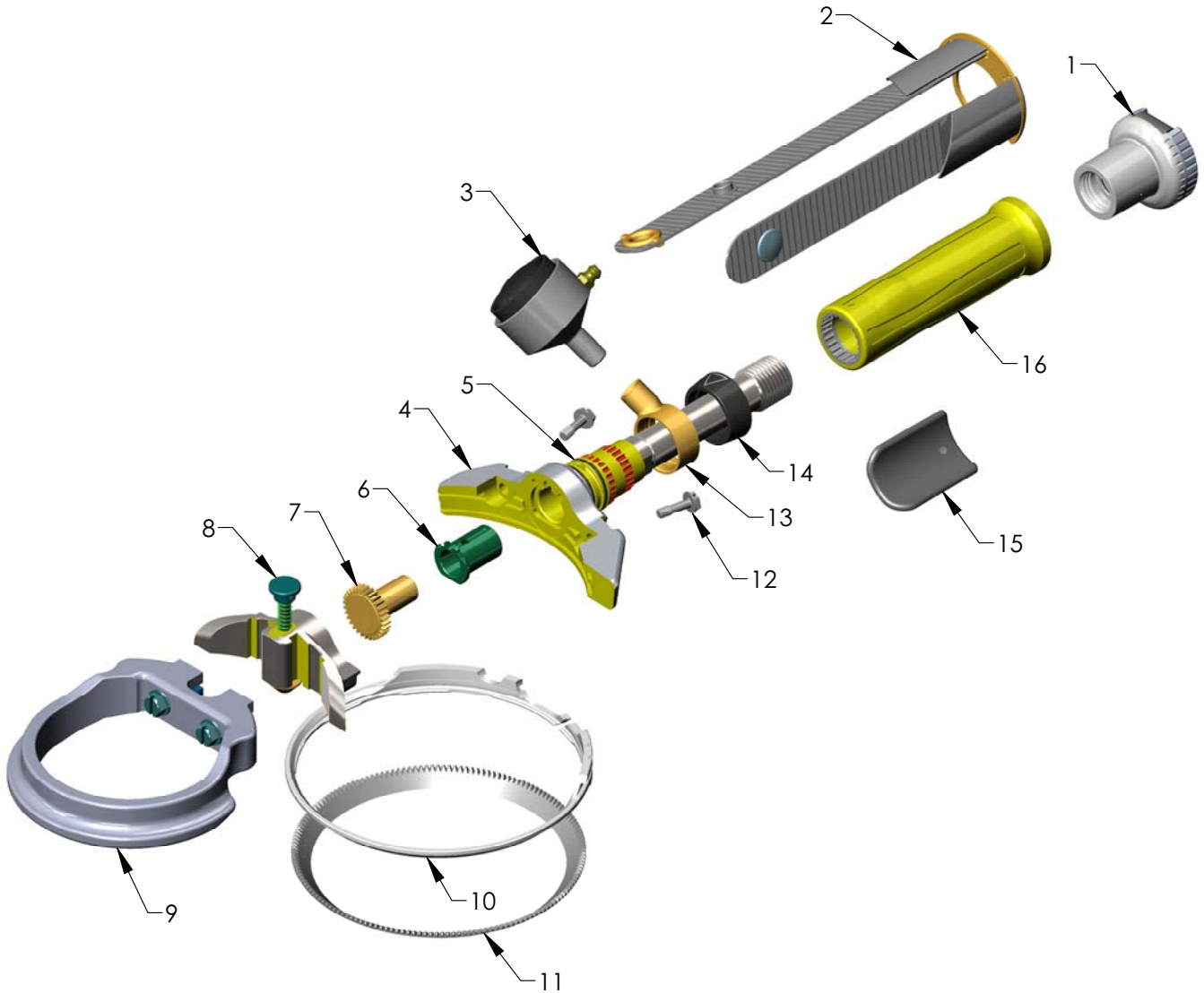
WHIZARD Q1400 ASSEMBLY



WHIZARD Q1400 ASSEMBLY (CONTINUED)

ITEM	DESCRIPTION	PART NUMBER
1	Handle Retaining Knob	100649
2	Whizard® Strap Assembly	103060
3	Grease Cup	100998
	Parts for Grease Cup	--
	Retainer Ring Only	101577
	Bulb and Washer	173208
	Base and Fitting	100999
4	Frame Assembly	100956
5	Frame o-rings (2 required)	103388
6	Bearing	100996
7	Pinion	183154
8	Cover with Special Steeling Device	101032
--	Repair Kit (Not Shown)	183478
9	Depth Gauge Assembly	183159
10	Blade Housing	100628
11	Blade	100630
12	Cover Retaining Screw (2 required)	101046
13	Grease Ring	100961
14	Handle Spacer Ring (Small Handle)	101030
	Handle Spacer Ring (Medium and Large Handles)	101130
15	Thumb Support Assembly	101021
16	Handle (Small)	100639
	Handle (Medium)	100693
	Handle (Large)	100694

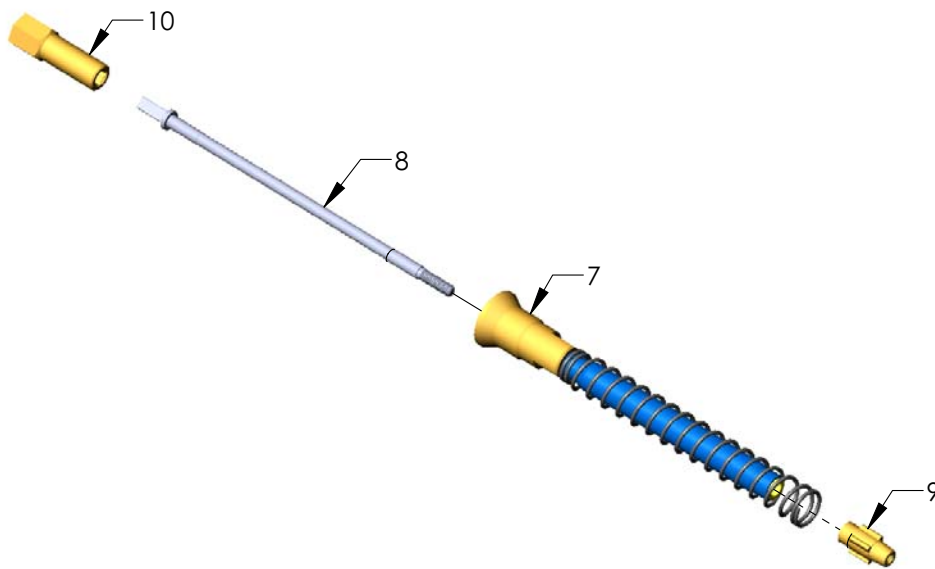
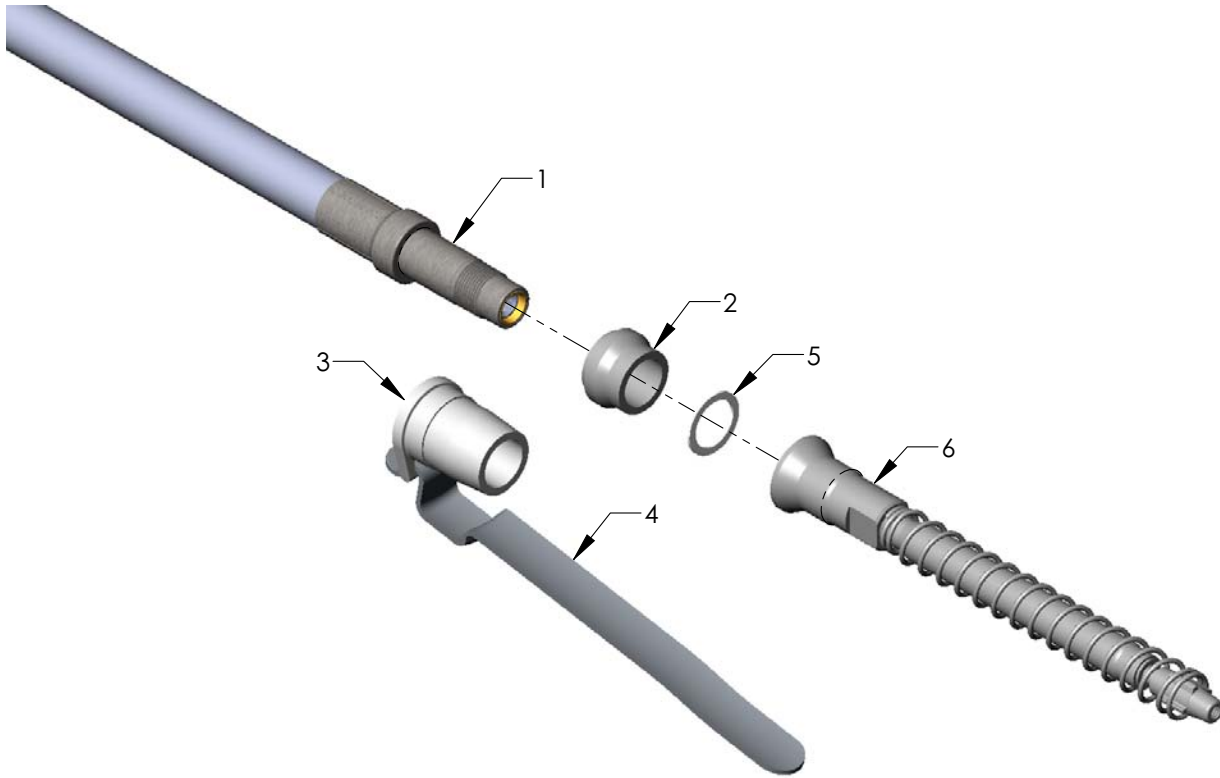
WHIZARD Q1500 ASSEMBLY



WHIZARD Q1500 ASSEMBLY (CONTINUED)

ITEM	DESCRIPTION	PART NUMBER
1	Handle Retaining Knob	100649
2	Whizard® Strap Assembly	103060
3	Grease Cup	100998
	Parts for Grease Cup	--
	Retainer Ring Only	101577
	Bulb and Washer	173208
	Base and Fitting	100999
4	Frame Assembly	100956
5	Frame o-rings (2 required)	103388
6	Bearing	100996
7	Pinion	183154
8	Cover with Special Steeling Device	101031
--	Repair Kit (Not Shown)	183477
9	Depth Gauge Assembly	183160
10	Blade Housing	100628
11	Blade	100629
12	Cover Retaining Screw (2 required)	101046
13	Grease Ring	100961
14	Handle Spacer Ring (Small Handle)	101030
	Handle Spacer Ring (Medium and Large Handles)	101130
15	Thumb Support Assembly	101021
16	Handle (Small)	100639
	Handle (Medium)	100693
	Handle (Large)	100694

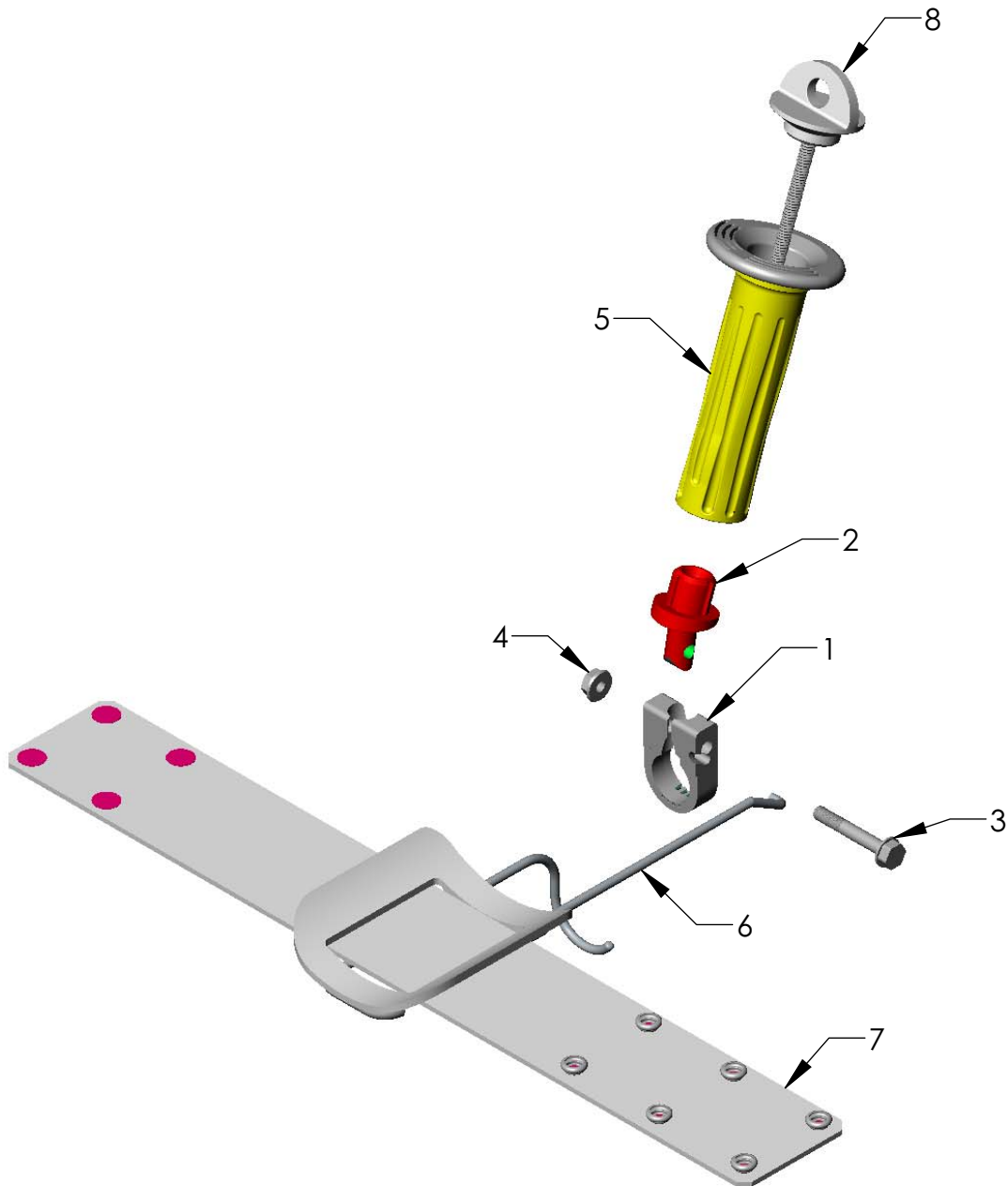
WHIZARD QUANTUM® DRIVELINE ASSEMBLY



WHIZARD QUANTUM® DRIVELINE ASSEMBLY (CONTINUED)

ITEM	DESCRIPTION	WITHOUT DISCONNECT			WITH DISCONNECT		
		48"	60"	84"	48"	60"	84"
	Driveline Assembly Complete Large Diameter (Includes 1,2,5,6)	101051	101054	102671	--	--	--
	Driveline Assembly Complete Large Diameter (Includes 1,3,4,5,6)	--	--	--	101055	101056	102672
	Driveline Assembly Complete Small Diameter (Includes 1,2,5,6)	102755	102756	--	--	--	--
	Driveline Assembly Complete Small Diameter (Includes 1,3,4,5,6)	--	--	--	102758	102760	--
1	Whizard Quantum® Driveline Large Diameter	100618	100619	102551	100618	100619	102551
1	Whizard Quantum® Driveline Small Diameter	102367	102368	--	102367	102368	--
2	Latch Collar	100711	100711	100711	--	--	
3	Disconnect Collar	--	--	--	101057	101057	101057
4	Disconnect Lever	--	--	--	183108	183108	183108
5	Plastic Washer	100713	100713	100713	100713	100713	100713
6	Complete Driver Assembly	100709	100709	100709	100709	100709	100709
7	Driver Tube Assembly	101138	101138	101138	101138	101138	101138
8	Driver Shaft	100821	100821	100821	100821	100821	100821
9	Driver Tip	100305	100305	100305	100305	100305	100305
10	Driver Shaft Tool	101252	101252	101252	101252	101252	101252

OPTIONAL POST HANDLE



OPTIONAL POST HANDLE (CONTINUED)

ITEM	DESCRIPTION	PART NUMBER	QTY
	Post Handle Kit (Includes items 1-8)	101280	
1	Clamp Ring	101131	1
2	Post	183622	1
3	Hex Washer Head Bolt	183623	1
4	Hex flange Nut	183633	1
5	Post Handle (Extra Small)	101253	1
6	Arm Rest Assembly	183624	1
7	Arm Rest Strap Assembly	183630	1
8	Knob Assembly	183626	1

ALSO AVAILABLE**Cleaning Solution**

PART NUMBER	DESCRIPTION
184331	EXTRA [®] HEAVY DUTY CLEANER (CASE - Four 1 Gallon Jugs)
184332	EXTRA [®] HEAVY DUTY CLEANER (1 GALLON)

Cleaning Equipment

PART NUMBER	DESCRIPTION
184334	Handpiece Cleaning Kit (Contains the following)
--	184335 Handpiece Cleaning Pick
--	184336 Stainless Steel Hand Brush
--	184337 Scrub Brush
--	184338 1-1/2" Diameter Tubing Brush
--	184339 1/2" Diameter tubing
103635	Whizard Quantum [®] Flushing Nozzle Kit

ALSO AVAILABLE (CONTINUED)
Lubrication and Lubrication Equipment

PART NUMBER	DESCRIPTION
102609	13.5 oz. Cartridge of Whizard Quantum® High Performance Grease
103271	30 pack - 13.5 oz. Cartridge of Whizard Quantum® High Performance Grease
184282	4 oz. tube of Max-Z- Lube Grease
102612	35 Pound Bucket of Whizard Quantum® High Performance Grease
113415	Grease Gun
102273	Grease Fitting
103603	Mineral Oil 1 Pint

Optional Blades

PART NUMBER	DESCRIPTION
183923	Q350 Cone Blade
102092	Q625 Serrated
101363	Q750 Serrated Blade
100780	Q1000 / Q1500 Serrated Blade
100781	Q1300 / Q1400 Serrated Blade
101366	Q1850 Serrated Blade



ALSO AVAILABLE (CONTINUED)

Blade Sharpening and Steeling Equipment

PART NUMBER	DESCRIPTION
100655	Special Stone (Small)
100660	Special Stone (Large)
100641	Special Steel (Small)
100642	Special Steel (Large)
100650	Ceramic Sharpener
163080	Q350 Whizard® EdgeMaster™
163074	Q360 Whizard® EdgeMaster™
173364	Q440 Whizard® EdgeMaster™
163077	Q500 Whizard® EdgeMaster™
163072	Q505 Whizard® EdgeMaster™
163079	Q620 Whizard® EdgeMaster™
163073	Q625 Whizard® EdgeMaster™
102976	Q750 Whizard® EdgeMaster™
163071	Q850/880 Whizard® EdgeMaster™
163069	Q1000 / Q1500 Whizard® EdgeMaster™
163070	Q1300 / Q1400 Whizard® EdgeMaster™
122740	Positioner Reel for EdgeMaster™
183905	Q350 Bettcher® EZ Edge
183928	Q360 Bettcher® EZ Edge
183906	Q440 Bettcher® EZ Edge
183907	Q500 Bettcher® EZ Edge
183927	Q505 Bettcher® EZ Edge
183892	Q620 Bettcher® EZ Edge
183926	Q625 Bettcher® EZ Edge
102988	Q750 Bettcher® EZ Edge
183925	Q850/880 Bettcher® EZ Edge
173322	Q1000 / Q1500 Bettcher® EZ Edge
173298	Q1300 / Q1400 Bettcher® EZ Edge

ALSO AVAILABLE (CONTINUED)
Covers and Depth Gauges

PART NUMBER	DESCRIPTION
185128	Poultry Cover Q350
185129	Poultry Cover Q440
101600	Poultry cover Q500
101602	Poultry Cover Q505
101146	Poultry Cover Q620
101192	Poultry Cover Assembly Q625
102242	Q625 Depth Gage Kit
101375	Poultry Cover Q750
183705	Depth Gauge Q505 Single Screw
188083	Depth Gauge Q505 Double Screw
173347	Depth Gauge Setting Device Kit Q880 S & B
173348	Depth Gauge Setting Device Kit Q1400 & Q1500

Tools

PART NUMBER	DESCRIPTION
183900	Torque Wrench Kit
184983	Bearing Removal Tool



THIS PAGE INTENTIONALLY LEFT BLANK

Section 8

Contact and Document Information

CONTENTS OF THIS SECTION

Contact Address and Phone	8-2
Document Identification	8-2

CONTACT ADDRESS AND PHONE

For additional information, technical support and spare parts, contact your Regional Manager, Distributor, or Bettcher Representative:

Bettcher Industries, Inc.
P.O. Box 336
Vermilion, Ohio 44089
USA
Tel: +1 440/965-4422
Fax: +1 440/328-4535

BETTCHER GmbH
Pilatusstrasse 4
CH-6036 Dierikon
SWITZERLAND
Tel: +011-41-41-348-0220
Fax: +011-41-41-348-0229

Bettcher do Brasil Comércio de Máquinas Ltda.
Av. Fagundes Filho, 145 Cj 101/102 - São Judas
São Paulo - SP
CEP 04304-010 - BRASIL
Tel: +55 11 4083 2516
Fax: +55 11 4083 2515

DOCUMENT IDENTIFICATION

Copies of this Operation Instruction may be ordered by quoting the Document ID as listed below:

Document ID:	Manual # 101300
Document Description:	Operating Instructions and Spare Parts List for the Whizard Quantum [®] Trimmer
Issued:	Date: April 16, 2013

Operating Instructions for Whizard Quantum[®] Trimmers may be requested by quoting the model designation of the tool.

SOFTWARE AND DUPLICATION

For more information, contact your local Representative or:

Bettcher Industries, Inc.
Administrative Assistant/Engineering Department
PO Box 336
Vermilion, Ohio 44089
USA