

# BETTCHER®



FOR USE WITH QUANTUM REMOTE START DRIVELINES

## Operating Instructions & Parts List for the Whizard Quantum® Drive With Remote Start

---

MANUAL #119834, RE- ISSUED: AUGUST 1, 2022

# MANUAL #119834

Re- Issued: August 1, 2022

TMC: #824

---

For Assistance:

**E-mail:**  
quantum@bettcher.com:

**Address:**  
BETTCHEr INDUSTRIES INC.  
6801 State Route 60  
Birmingham, OH  
44889 U.S.A.

**Phone:**  
440/965-4422  
800/321-8763

**Fax:**  
440/328-4535

[www.bettcher.com](http://www.bettcher.com)

Information in this document is subject to change without notice.

No part of this document may be reproduced or transmitted in any form or any means, electronic or mechanical, for any purpose, without the express written permission of Bettcher Industries Inc.

Written permission to reproduce in whole or part is herewith granted to the legal owners of the Whizard Quantum® Drive with which these Operating Instructions have been supplied.

Operating Instructions in other languages are available on request. Additional copies of Operating Instructions are available by calling or writing your Regional Manager, or by contacting:

**Address:**

BETTCHER INDUSTRIES INC.  
6801 State Route 60  
Birmingham, OH  
44889 U.S.A.

**Phone:**

440/965-4422  
800/321-8763

**Fax:**

440/328-4535

[www.bettcher.com](http://www.bettcher.com)

**The Information Provided In These Operating Instructions Is Important To Your Health, Comfort And Safety.**

**For Safe And Proper Operation, Read This Entire Manual Before Using This Equipment.**



# TABLE OF CONTENTS

---

## **SAFETY**

### Section 1

Signal word panels	10
Safety symbols	11
Safety recommendations and warnings	12
Safety features	13
Machine specifications	14
General Whizard Quantum® Drive Information	15

## **DESIGNATED USE**

### Section 2

Designated use	18
Features	19

## **INSTALLATION**

### Section 3

Contents	22
Mounting support yoke	23
Installation dimensions	24
Attaching Whizard Quantum® Drive to support yoke	25
Power source connection	26

## **INSTRUCTIONS FOR OPERATION**

### Section 4

Whizard Quantum® Driveline assembly	28
Attaching tool to Whizard Quantum® Driveline	29
Storing tool in hanger	30
Removing tool from hanger	31
Turning ON the Whizard Quantum® Drive	32
Turning OFF the Whizard Quantum® Drive	33



## **MAINTENANCE**

### **Section 5**

Disassembly	<b>36</b>
Power cord replacement	<b>38</b>
Controller replacement	<b>41</b>
Motor replacement	<b>44</b>
Disconnect assembly replacement / repair	<b>50</b>
Switch replacement	<b>60</b>
Fuse replacement	<b>64</b>
Fault detection and correction	<b>65</b>

## **CLEANING**

### **Section 6**

Cleaning	<b>68</b>
----------	-----------

## **SERVICE PARTS**

### **Section 7**

Whizard Quantum® Motor assembly	70
Whizard Quantum® Drive assembly	72
Whizard Quantum® Disconnect assembly	74
Whizard Quantum® Switch assembly	76
Whizard Quantum® Controller assembly	78
Also available	79

## **CONTACT & DOCUMENT INFORMATION**

### **Section 8**

Contact address and phone	82
Document identification	83

THIS PAGE HAS BEEN LEFT  
BLANK INTENTIONALLY

# SECTION 1

# Safety

---

Signal word panels	10
Safety symbols	11
Safety recommendations and warnings	12
Safety features	13
Machine specifications	14
General Whizard Quantum® Drive Information	15

The information provided in these operating instructions is important to your health, comfort and safety. For safe and proper operation, read this entire manual before using this equipment.

Please read and save these instructions. Read carefully before attempting to assemble, install, operate or maintain this product. Protect yourself, others and equipment by observing all safety information. Failure to comply with instructions could result in personal injury and/or damage to the equipment. Any use in applications other than those for which the equipment was designed and built may result in equipment damage and/or serious injuries.

Retain this manual for future reference. Be thoroughly familiar with the controls and proper use of this equipment.

The manufacturer assumes no liability for any unauthorized changes in operating procedures or for unauthorized changes or modifications made to the design of the machine or any factory-installed safety equipment, whether these changes are made by the owner of this equipment, by his employees, or by service providers not previously approved by Bettcher Industries, Inc.



## SIGNAL WORD PANELS

---



Indicates a hazardous situation that, if not avoided, will result in death or serious injury.

*(The signal word DANGER is in white letters on a safety red background)*



Indicates a hazardous situation that, if not avoided, could result in death or serious injury.

*(The signal word WARNING is in black letters on a safety orange background)*



Indicates a hazardous situation that, if not avoided, could result in minor or moderate injury.

*(The signal word CAUTION is in black letters on a safety yellow background)*



Indicates information considered important but not hazard-related (e.g. messages relating to property damage).

*(The signal word NOTICE is in italicized, white letters on a safety blue background)*

The signal word definitions provided, comply with the American National Standard for Product Safety Information in Product Manuals, Instructions, and Other Collateral Materials (ANSI Z535.6-2011).

This technical manual is printed in black and white.

## SAFETY SYMBOLS

---



The safety alert symbol indicates a potential personal injury hazard.

It is not used for messages related to property damage.

The safety alert symbol may be used alone or in conjunction with a signal word in a signal word panel.



Danger of electrical shock.



Blade hazard, keep hands clear.



Read operator's manual.



Protective safety gloves must be worn.

Symbols are harmonized with ANSI Z535.4 and ISO 3864-2 standards. Warning symbols are presented on a safety yellow background. Mandatory action symbols are presented on a safety blue background.

This technical manual is printed in black and white.

## SAFETY RECOMMENDATIONS AND WARNINGS

The manufacturer assumes no liability for any unauthorized changes in operating procedures or for unauthorized changes or modifications made to the design of the machine or any factory-installed safety equipment, whether these changes are made by the owner of this equipment, by his employees, or by service providers not previously approved by Bettcher Industries, Inc.



Use only replacement parts manufactured by Bettcher Industries, Inc. Use of substitute parts will void the warranty and may cause injury to operators and damage to equipment.

The use of parts other than those listed in the parts list for the specific model may result in an unsafe operating condition.

Sharp blades may cause cut injury!

For proper protection of hands, a protective glove should be used when operating this equipment and during the handling of blades. Metal mesh gloves are recommended for the free hand.

Keep hands away from blades.



To avoid personal injury, always disconnect the power cord before performing any adjustments, disassembly/assembly, troubleshooting or cleaning.

Always disconnect the power and remove the tool from the driveline prior to servicing.

All electrical repairs should be completed by a qualified electrician or approved service provider.



If at any time this machine does not appear to operate normally or exhibits a marked change in performance, it should be immediately shut down, unplugged, and tagged as "UNSAFE" until such time as proper repairs are made and the machine again operates normally.



Avoid use of this machine in standing water.



## SAFETY FEATURES

---

1. The Whizard Quantum® Drive has a handpiece hanger designed into the front of the unit for compatible tool. The hanger is designed to prevent the unit from being turned on while the handpiece is in the hanger.
2. The hanger mechanism ensures that a compatible tool does not fall out while hanging and requires intentional removal.
3. The Whizard Quantum® Drive will automatically turn off when a compatible tool is placed in the hanger.
4. The Whizard Quantum® Drive has been designed to turn off when an overload is present in a Whizard Quantum® driveline compatible tool. This is an indication that something is incorrect in the tool or driveline and should be inspected before restarting. To reset the unit you simply turn the switch off and then back on.
5. The Whizard Quantum® Drive is meant for use with a remote start driveline for turning on/off a compatible tool. This reduces the potential of being cut while holding the tool between cuts for injury by requiring the operator to depress the switch for operation.

# MACHINE SPECIFICATIONS

---

The Whizard Quantum® Drive is highly effective for use in the meat industry when used in conjunction with Whizard Quantum® driveline compatible tools. The Whizard Quantum® Drive has been designed with the highest possible standards for safety, ergonomics, and production and yield efficiency.

The Whizard Quantum® Drive Is In Conformity With The Following Directives:

- Low Voltage Directive 2006/42/EC
- Electromagnetic Compatibility Directive 2014/30/EU

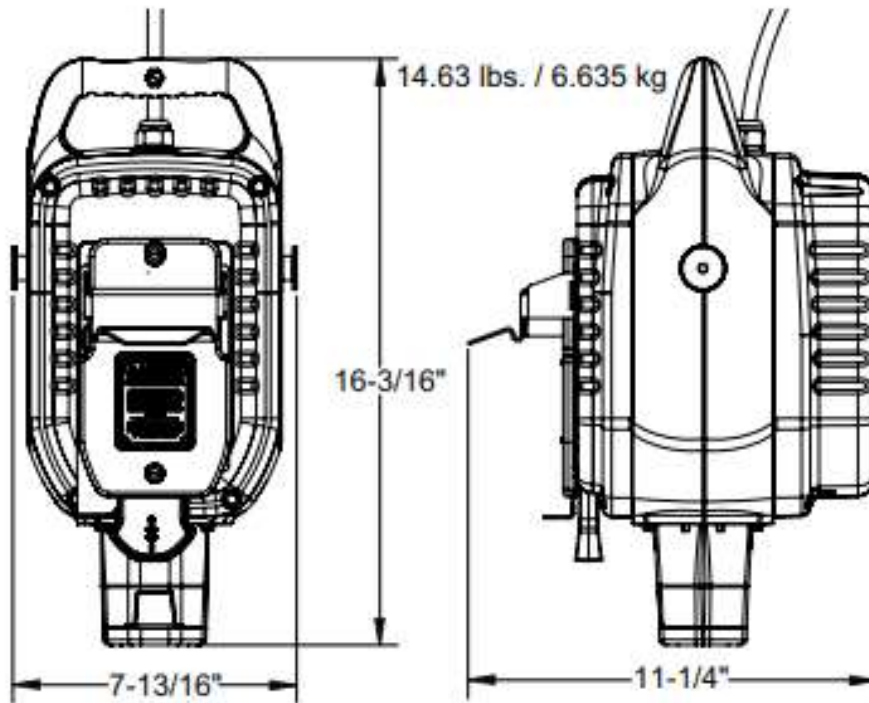
Which Includes Conformity With The Following Standards:

- **Annex I-Section 1**      **Essential Health and Safety Requirements**
- **Annex I-Section 2**      **Supplementary essential health and safety requirements for certain categories of machinery**
- **IEC 60529**              **Degrees of Protection Provided by Enclosures-IP Code**
- **BS EN 60204-1**         **Safety of Machinery Parts 1**
- **ISO 3744**                **Acoustics-Determination of Sound Power Levels Noise Sources Using Sound Pressure-Engineering Methods**
- **BS EN 28662-1**         **Hand-Held Portable Power Tools-Measurement of Vibrations At The Handle**
- **BS EN 12984**            **Food Processing Machinery Portable And/Or Hand Operated Machines And Appliances Equiped With Mech anical Driven Cutting Tools Safety and Hygiene Requirements**
- **BS EN 61000-4-2**        **EMC – Testing & Measurement – Electrostatic Discharge Immunity**
- **BS EN 61000-4-3**        **EMC – Testing & Measurement – Radiated, Radio Frequency, Immunity**
- **BS EN 61000-4-4**        **EMC – Testing & Measurement – Transient/Burst Immunity**
- **BS EN 61000-4-5**        **EMC – Testing & Measurement – Surge Immunity**
- **BS EN 61000-4-6**        **EMC – Testing & Measurement – Immunity to Conducted Disturbances Induced by Radio Frequency Fields**
- **BS EN 61000-4-8**        **EMC – Testing & Measurement – Power Frequency Immunity**
- **UL 763**                  **Motor Operated Commercial Food Preparing Machines**
- **CSA C22.2 No.195**      **Motor Operated Food Processing Appliance-Household and Commercial Use**



# GENERAL WHIZARD QUANTUM® DRIVE INFO

## MEASUREMENTS



## POWER REQUIREMENTS

Whizard Quantum® Drive Remote Start

115 VAC	1 PH	60 Hz
800 W	9000 / Min	8 AMP
230 VAC	1 PH	50 Hz
800 W	9000 / Min	8 AMP

THIS PAGE HAS BEEN LEFT  
BLANK INTENTIONALLY

## SECTION 2

# Designated Use

---

Designated use	18
Features	19

# DESIGNATED USE

---

## DESIGNATED USE

The Whizard Quantum® Drive has been specifically designed for use with Quantum® Remote Start driveline compatible tools. Any use in application other than those for which the Whizard Quantum® Drive and the Whizard Quantum® driveline compatible tools were designed and built may result in serious injuries.

## RECOMMENDED OPERATION

The Whizard Quantum® Drive has been designed for use with Quantum® Remote Start driveline compatible tools.

Recommended operating temperature: -5 °C to 30 °C

Recommended storage temperature: -25 °C to 55 °C

Recommended operating humidity: 10% to 90%

Recommended operating barometric pressure: 850mb to 1100mb

## FUNCTION

The Whizard Quantum® Drive will drive all current electric Whizard Quantum® driveline compatible tools with all the advantages, the power, and with all the performance to improve your yields and profits.

The Whizard Quantum® Drive rotates a flexible shaft. The flexible shaft transmits power from the drive unit to the tool by rotating a gear or pinion in the tool. Forces applied by the worker are greatly reduced and limited to guiding the tool.

## FEATURES

---

1. The Whizard Quantum® Drive is designed to lock the handpiece in the handpiece hanger and shuts the drive unit off when the handpiece is placed in the hanger.
2. The Whizard Quantum® Drive will not start if a compatible tool is in the hanger.
3. The handpiece has no metal to metal contact with the drive unit.
4. The unit will shut off automatically when a compatible tool is placed in the hanger.
5. FOR REMOTE START: The unit will not power a compatible tool if the hand tool lever is not depressed.

THIS PAGE HAS BEEN LEFT  
BLANK INTENTIONALLY

## SECTION 3

# Unpacking & Installation

---

Contents	22
Mounting support yoke	23
Installation dimensions	24
Attaching Whizard Quantum® Drive to support yoke	25
Power source connection	26

Electrical shock may occur!

Use only 3 wire ground type connectors. This must be connected to a plant ground via a suitable grounded three conductor receptacle. Avoid use of this machine in standing water.



**WARNING**

Improperly hung drive units may result in excessive operator effort & decrease in mobility. Increased fatigue & loss of efficiency may occur.

**CAUTION**

Correct installation is extremely important to achieve maximum efficiency for both the tool being used and the operator. Incorrect installation may possibly hamper the operator's movements and cause undue wear or damage to the equipment.

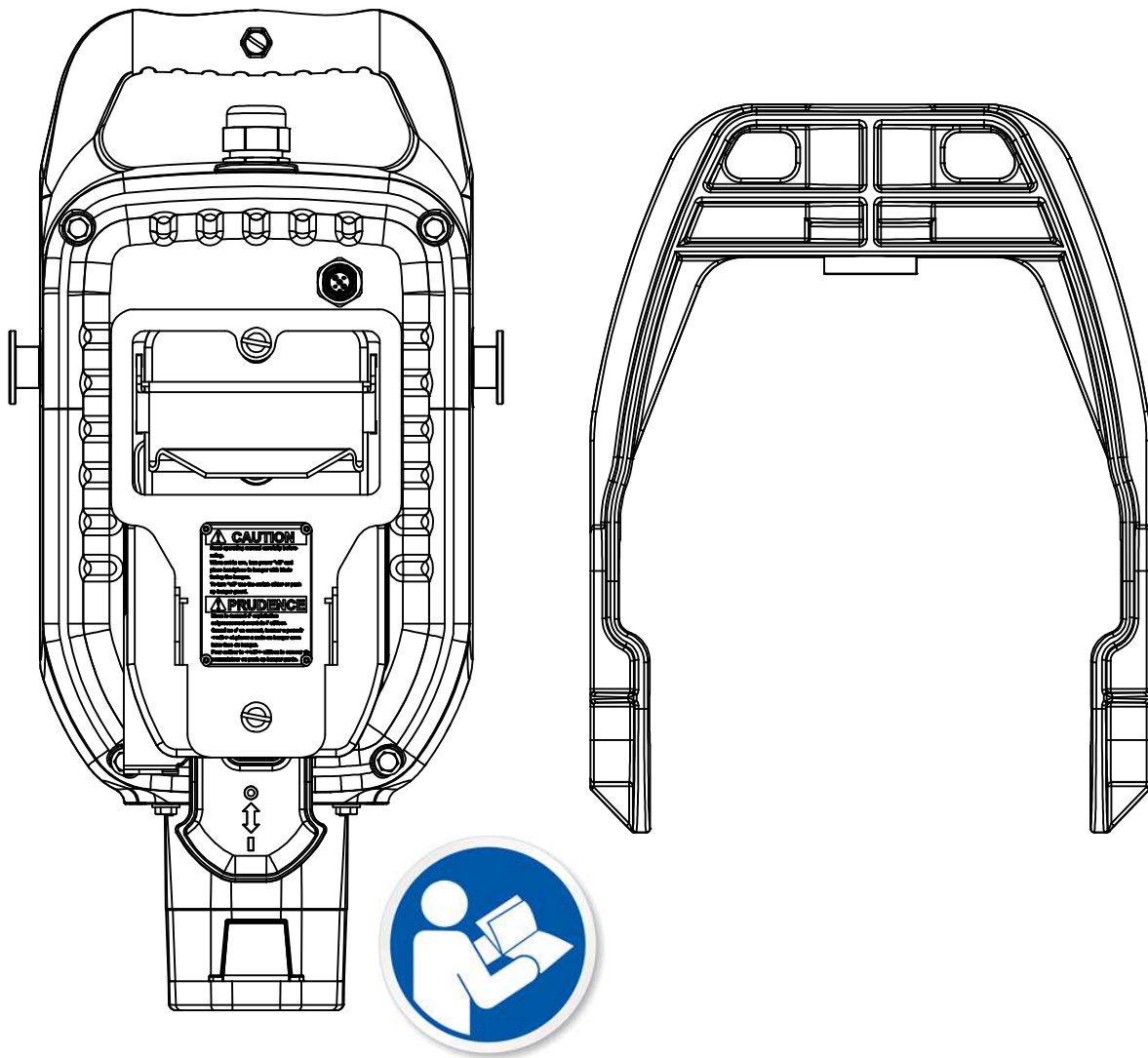
**NOTICE**

## CONTENTS

---

Please check when unpacking and advise your local Bettcher Industries representative if delivery is incomplete.

The shipping carton should contain the Whizard Quantum® Drive, Support Yoke, and the Operating Instructions and Parts List.





## MOUNTING SUPPORT YOKE

---

### **WARNING**

It is strongly recommended that a safety cable or chain be installed through the support yoke and around a fixed overhead structure.

### **CAUTION**

Improperly hung drive units may result in excessive operator effort & decrease in mobility. Increased fatigue & loss of efficiency may occur.

### **NOTICE**

Correct installation is extremely important to achieve maximum efficiency for both the tool being used and the operator. Incorrect installation may possibly hamper the operator's movements and cause undue wear or damage to the equipment.

### **WARNING**

It is strongly recommended that a safety cable or chain be installed through the support yoke and around a fixed overhead structure.

A (3/4") 19mm diameter pipe should be fastened to an overhead beam with the pipe centerline (12 inches) 30.5cm to the right of the operator's shoulder for a right-handed operator or (12 inches) 30.5cm to the left of the operator's shoulder if the operator is left-handed.

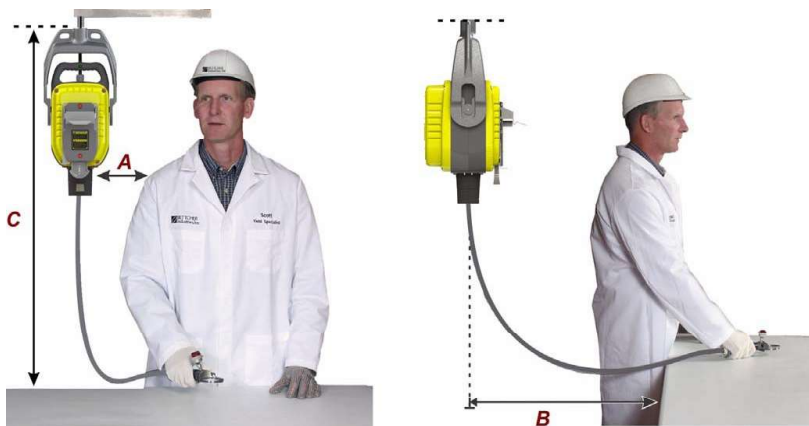
The drive unit support yoke should be rigidly mounted and parallel to the workstation.



## INSTALLATION DIMENSIONS

In order to maintain correct curvature of the driveline, it is extremely important to follow installation dimensions. Dimensions for proper Whizard Quantum® Drive installation are based on the distance offset from the shoulder (A), the distance out from the table top (B), and the height above the work surface (C).

A	Distance Offset From Shoulder
B	Distance Out from Table Top
C	Height Above Cutting Level



Whizard Quantum® Driveline Size	A	B	C
Long - 60	12"	15"	63 1/2"
Extra Long - 84	12"	15"*	63 1/2"

\* Application Dependent: Distances can be adjusted as needed.

# ATTACHING WHIZARD QUANTUM® DRIVE TO SUPPORT YOKE

## **WARNING**

To avoid personal injury, always disconnect the power cord before performing any adjustments, disassembly/assembly, troubleshooting or cleaning.

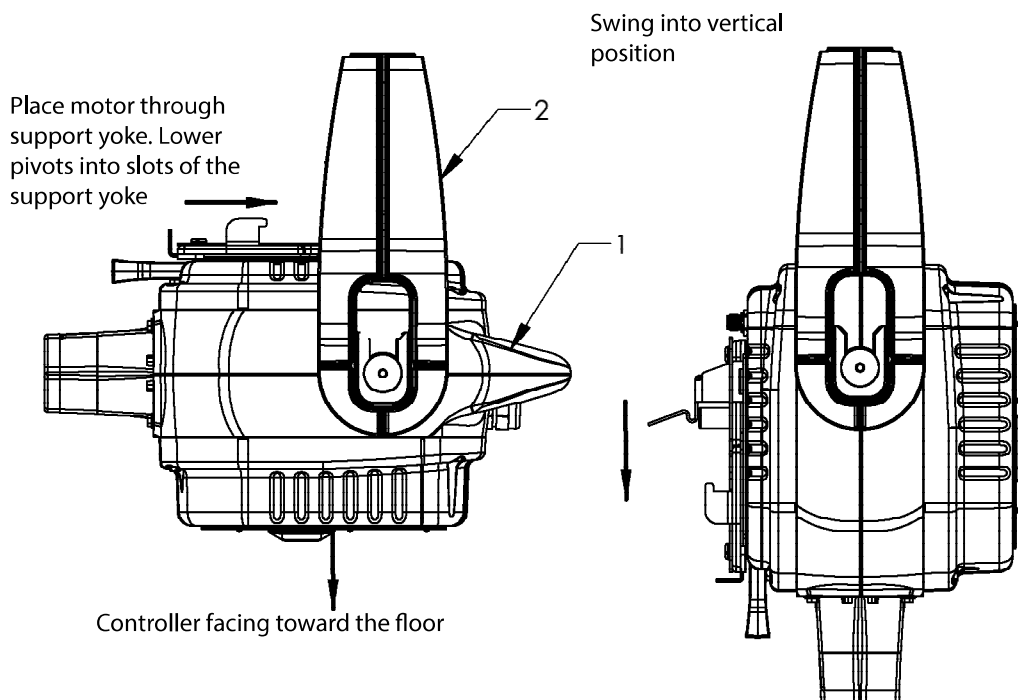


Always remove the driveline and tool from the drive unit prior to mounting or removing the drive unit.

Hold the Whizard Quantum® Drive so the controller side is pointing down and parallel to the floor. Lift the drive unit up and through the support yoke opening, aligning the flats on the pivots of the drive unit with the slots in the support yoke inserts. Lower the drive unit into the inserts and carefully allow the drive unit to slowly rotate to the vertical position. The drive unit should swivel freely in the support yoke. The hanger should appear on the right side when facing the front of the unit.

To REMOVE the Whizard Quantum® Drive from the support yoke, rotate the drive unit so the controller side is pointing down and parallel to the floor, then lift up and out of the support yoke.

The Whizard Quantum® Drive is intended to be permanently installed and only removed for maintenance purposes.



## POWER SOURCE CONNECTION

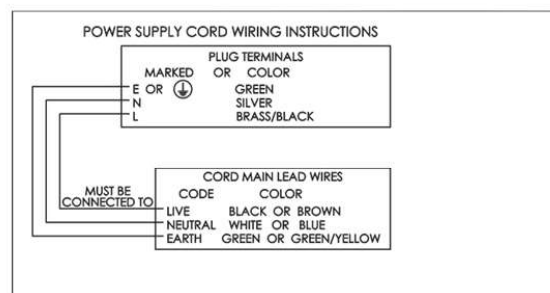


Electrical shock may occur!

Use only 3 wire ground type connector. This must be connected to a plant ground via a suitable grounded three conductor receptacle. Avoid use of this machine in standing water.

Connect the Whizard Quantum® Drive power cord to the prescribed voltage on the drive unit nameplate. The drive unit must be connected to a ground. Use only approved type connector.

Connect the motor power cord to the prescribed voltage using a three (3) prong grounded plug (Line Power, Neutral, and Ground).



# SECTION 4

# INSTRUCTIONS FOR OPERATION

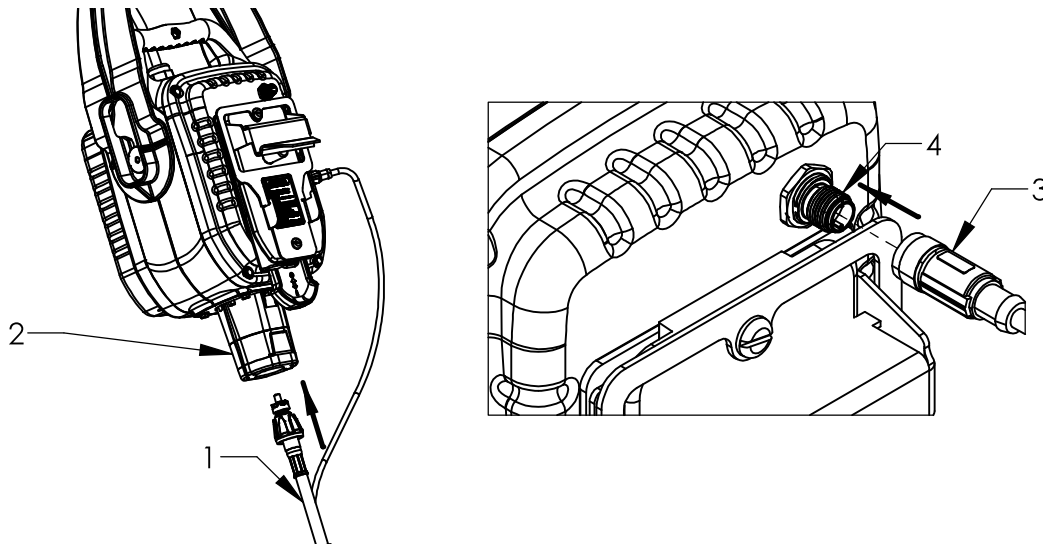
---

Whizard Quantum® Driveline assembly	28
Attaching tool to Whizard Quantum® Driveline	29
Storing tool in hanger	30
Removing tool from hanger	31
Turning ON the Whizard Quantum® Drive	32
Turning OFF the Whizard Quantum® Drive	33

## WHIZARD QUANTUM® DRIVELINE ASSEMBLY

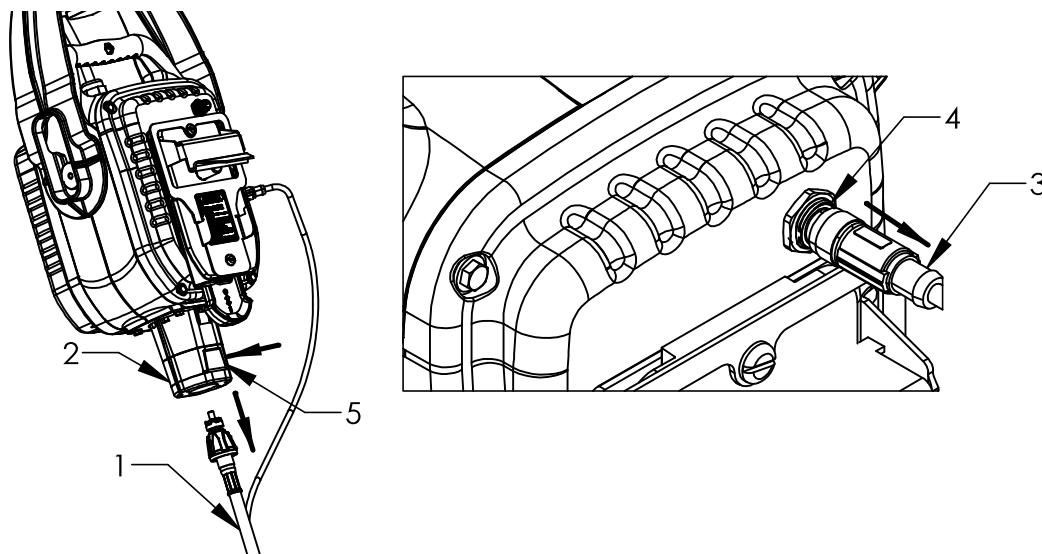
### INSTALL WHIZARD QUANTUM® DRIVELINE TO DISCONNECT BODY

Insert proper end of Whizard Quantum® Driveline (#1) into disconnect body (#2). The driveline will latch in place when fully inserted into disconnect body (#2). Plug the cable (#3) into the connector (#4). Tighten cable (#3) to secure.



### REMOVE WHIZARD QUANTUM® DRIVELINE FROM DISCONNECT BODY

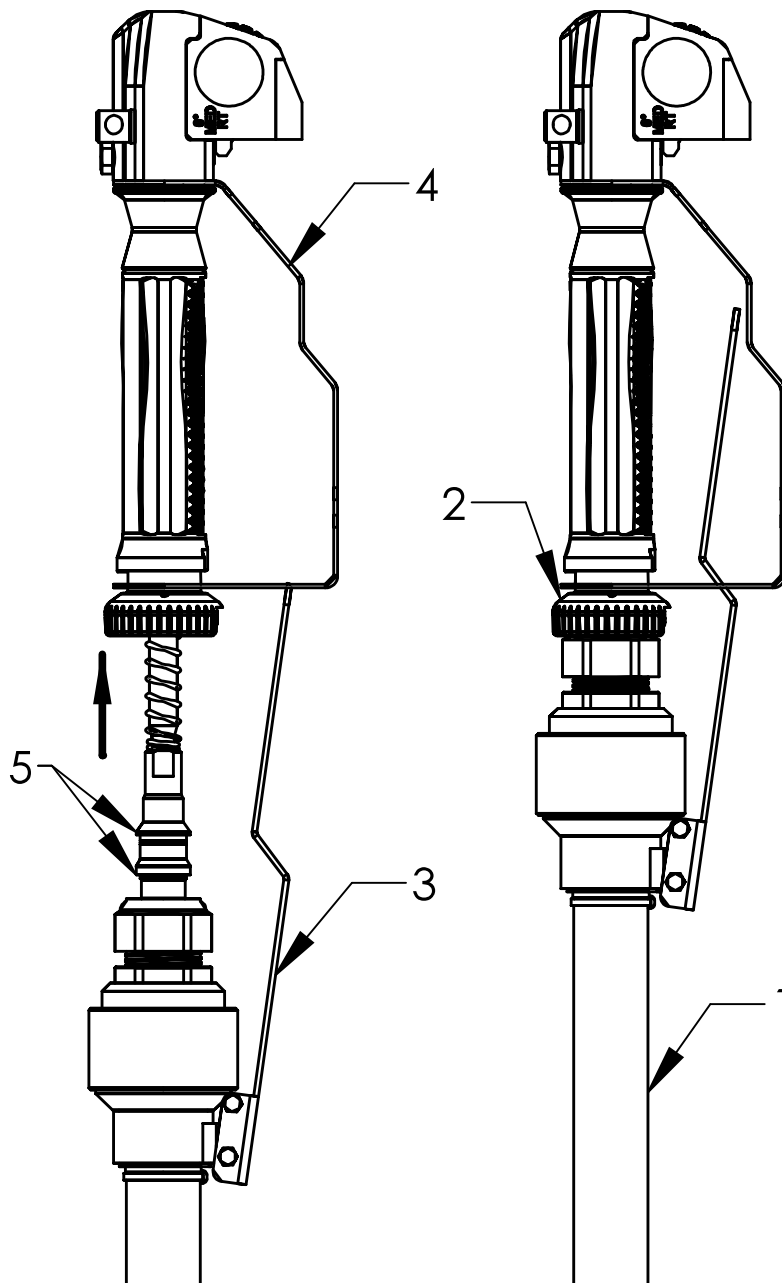
Loosen the cable (#3) from the connector (#4). Un-plug the cable (#3) from the connector (#4). Hold Whizard Quantum® Driveline (#1) around the top exposed portion, just below the disconnect body (#2). Push driveline retainer latch (#5) inward and pull driveline (#1) down and out of disconnect body (#2).



## ATTACHING TOOL TO WHIZARD QUANTUM® DRIVELINE

---

1. Hold tool in the hand you will use in operation.
2. With opposite hand, grasp driveline (#1) and push it through handle retaining knob (#2), lining up the lever (#3) with the guard (#4).
3. Push driveline (#1) until both detents (#5) on latch collar (#6) are inserted. Two clicks (2) will be heard.
4. The tool is now ready for operation.



## STORING TOOL IN HANGER

### **WARNING**

Always turn off the Whizard Quantum® Drive and place the handpiece in the hanger bracket. Never lay the handpiece down on the workstation or let it hang free by the driveline. Never place the handpiece in the hanger while the tool is still running.

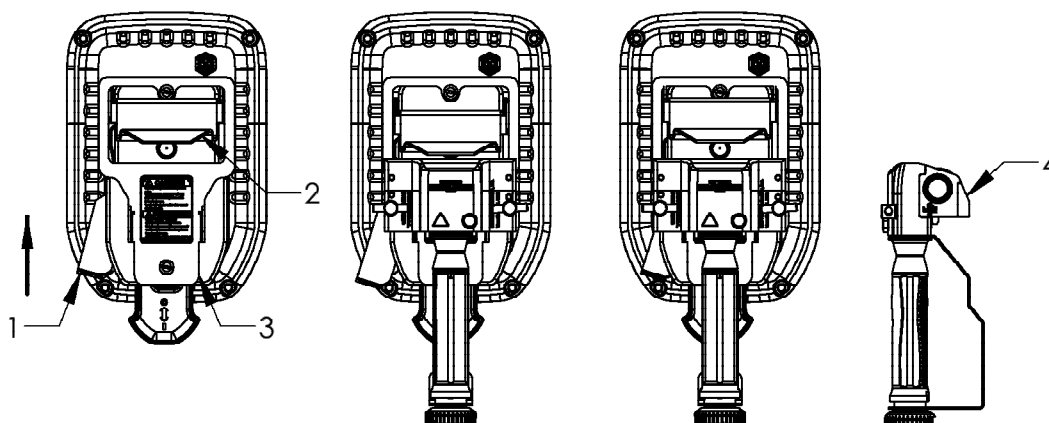
### **NOTICE**

The hanger is used only for Compatible Tools.

### PLACE TOOL IN HANGER:

1. With your left hand, swing latch (#1) to the left and lift up handpiece bracket (#2) to full, raised position. Note: The latch (#1) and handpiece bracket (#2) are attached to one another.
2. Place Tool onto hanger (#3). The hanger (#3) has two (2) legs that the tool's blade retaining plate (#4) will rest on. These legs will fit inside the backside of the tool frame.
3. Lower handpiece bracket (#2) down so its inside surface rests on front edge of the blade retaining plate (#4).

The Tool is now captured in the hanger (#3). The spring-loaded latch (#1) will prevent the Tool from being accidentally knocked out of the hanger (#3).



Slide latch to the left and lift up.

Place back of blade retainer on skinner hanger legs. Place back of blade retainer on skinner hanger legs.

Handpiece bracket to rest on front of skinner frame.



## REMOVING TOOL FROM HANGER

---

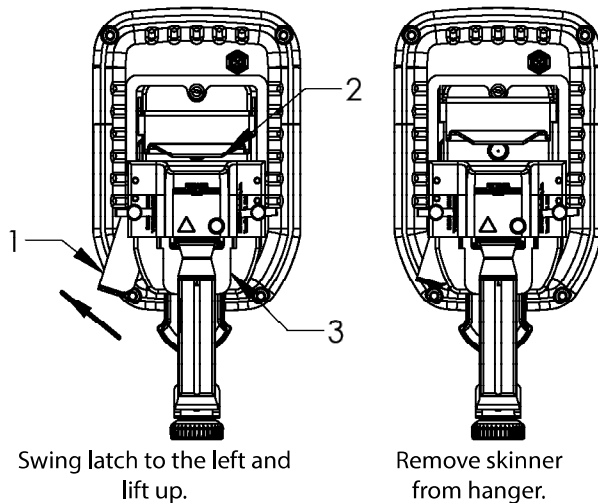
### NOTICE

The hanger is used only for Compatible Tools.

---

### REMOVE COMPATIBLE TOOL FROM HANGER:

1. Firmly grasp Tool handle with your dominant hand.
2. Swing latch (#1) to the left with your opposite hand and lift handpiece bracket (#2) to its fully raised position.
3. Carefully remove tool from hanger (#3).

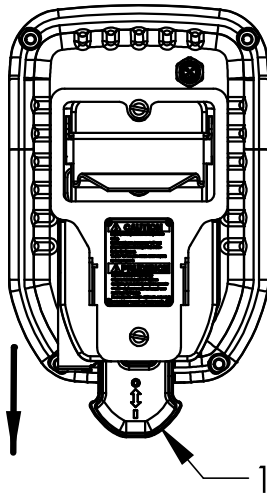


## TURNING ON THE WHIZARD QUANTUM® DRIVE

---

To turn ON the Whizard Quantum® Drive:

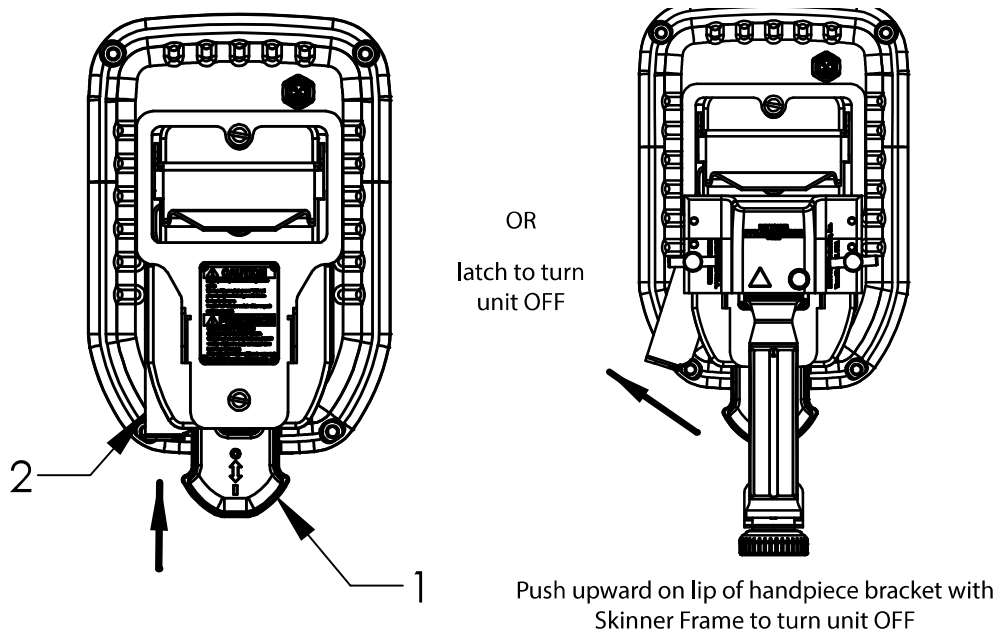
1. If necessary, remove tool from hanger.
2. Pull down on switch lever (#1).
3. FOR REMOTE START: The tool lever must also be depressed to actuate the motor.



## TURNING OFF THE WHIZARD QUANTUM® DRIVE

There are 2 ways to turn OFF the Whizard Quantum® Drive:

1. Push up on switch lever (#1).
2. Lift latch/handpiece bracket with your hand or place front portion of tool in the “lip” area of handpiece bracket and lift up on handpiece bracket with tool in hand.
3. FOR REMOTE START: Releasing the tool lever will turn off the motor. For added safety it is recommended to turn OFF the Whizard Quantum Drive at the motor switch lever when the tool will not be in operation for extended periods.



THIS PAGE HAS BEEN LEFT  
BLANK INTENTIONALLY

# SECTION 5

# Maintenance

---

Disassembly	36
Power cord replacement	38
Controller replacement	41
Motor replacement	44
Disconnect assembly replacement / repair	50
Switch replacement	60
Fuse replacement	64
Fault detection and correction	65

To avoid personal injury, always disconnect the power cord before performing any adjustments, disassembly/assembly, troubleshooting or cleaning.

Always disconnect the power and remove the tool from the driveline prior to servicing.

All electrical repairs should be completed by a qualified electrician or approved service provider.



## DISASSEMBLY

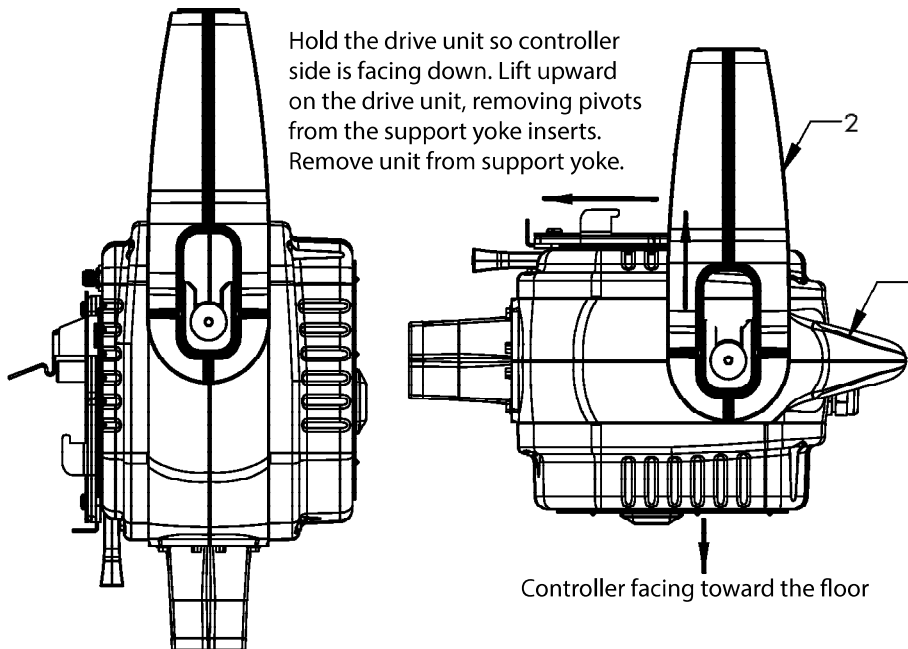


To avoid personal injury, always disconnect the power cord before performing any adjustments, disassembly/assembly, troubleshooting or cleaning.

Always disconnect the power and remove the tool from the driveline prior to servicing.

All electrical repairs should be completed by a qualified electrician or approved service provider.

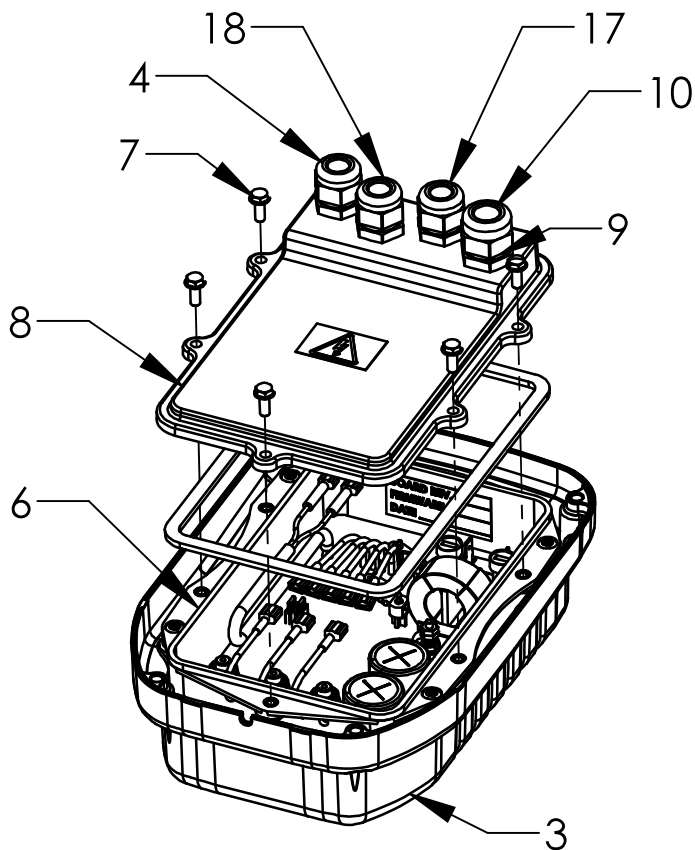
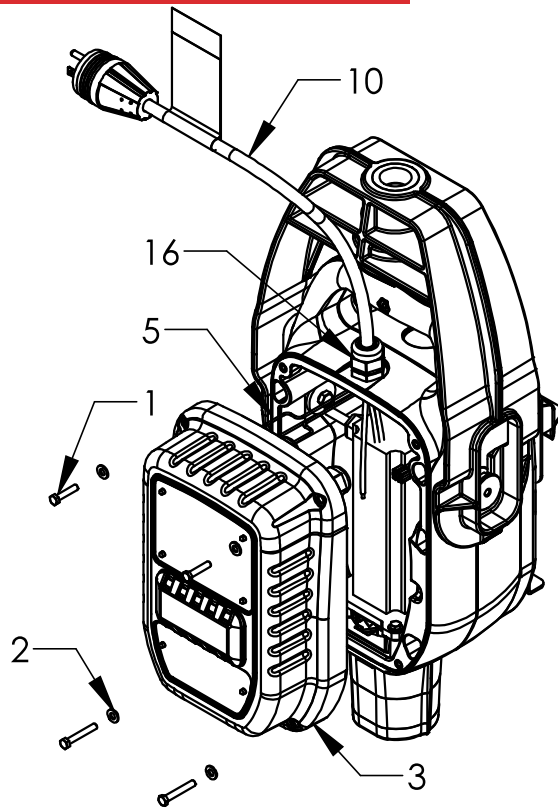
1. Unplug power and remove motor assembly (#1) from support yoke (#2) by pivoting and lifting as shown.



2. Remove 4 screws (#1) and washers (#2) from rear cover (#3).
3. Disconnect switch wire terminals (#4) inside motor housing (#5).
4. To access and disassemble the controller (#6), lay cover (#3) on its back and remove 5 screws (#7) and washers (#2) that hold controller cover (#8) on the electrical enclosure. Un-plug power and remove motor assembly (#1) from support yoke (#2) by pivoting and lifting as shown.
5. Loosen all 4 strain relief nuts (#9) on back of controller cover (#8).
6. Feed wires through strain reliefs (#9) as you open the cover (#8).

***\*Assembly is the reversal of these directions.***

# DISASSEMBLY (CONTINUED)



# POWER CORD REPLACEMENT

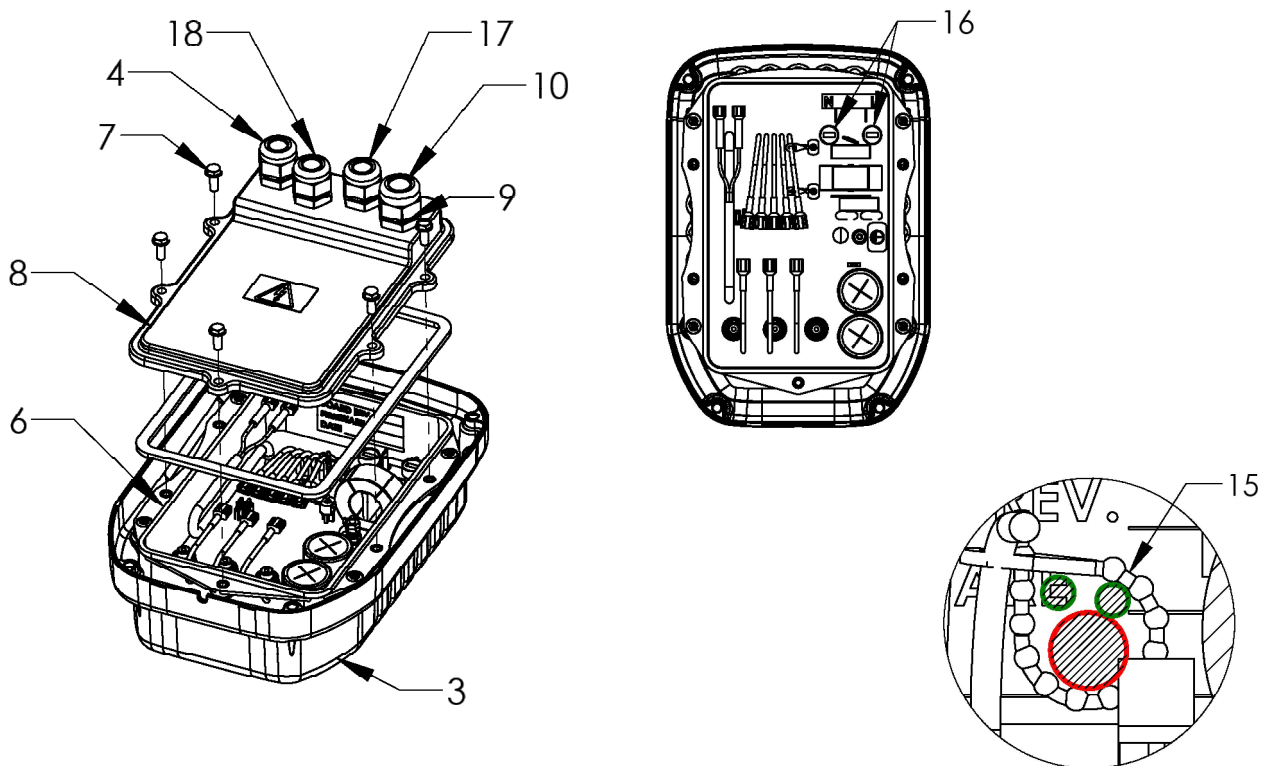


To avoid personal injury, always disconnect the power cord before performing any adjustments, disassembly/assembly, troubleshooting or cleaning.

Always disconnect the power and remove the tool from the driveline prior to servicing.

All electrical repairs should be completed by a qualified electrician or approved service provider.

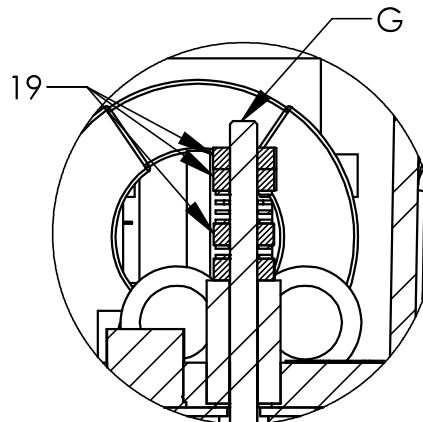
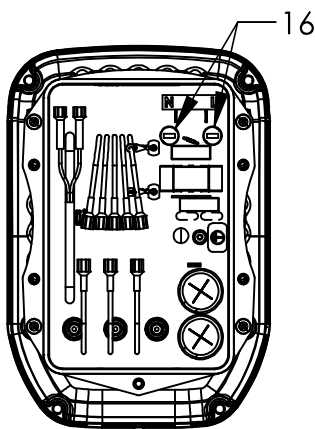
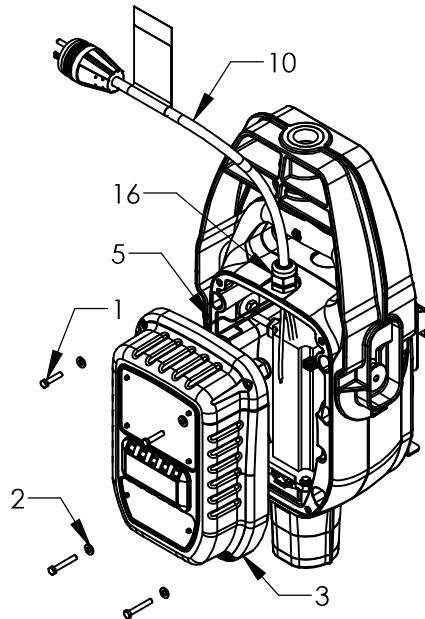
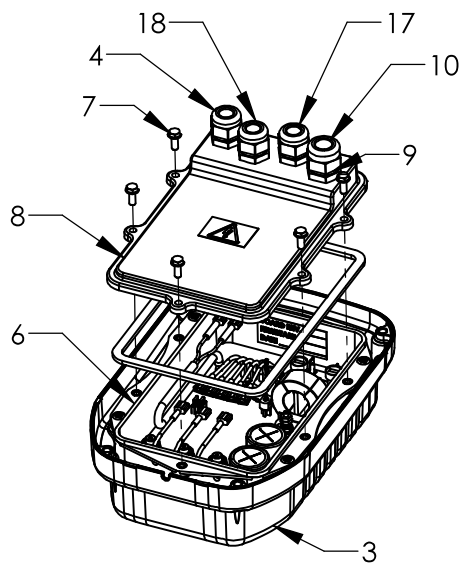
1. Disassemble unit. Refer to Section 5, Disassembly.
2. Disconnect the power cord (#10) by pulling the L and N spade connectors from the board terminal.
3. Remove ground wire (#11) retaining nut (#12) G by holding a wrench on the bottom nut (#12) and loosening the top nut (#12).
4. Remove remaining nuts (#12) (2), ring connectors (#13) (4), and lock washers (#14) (6).





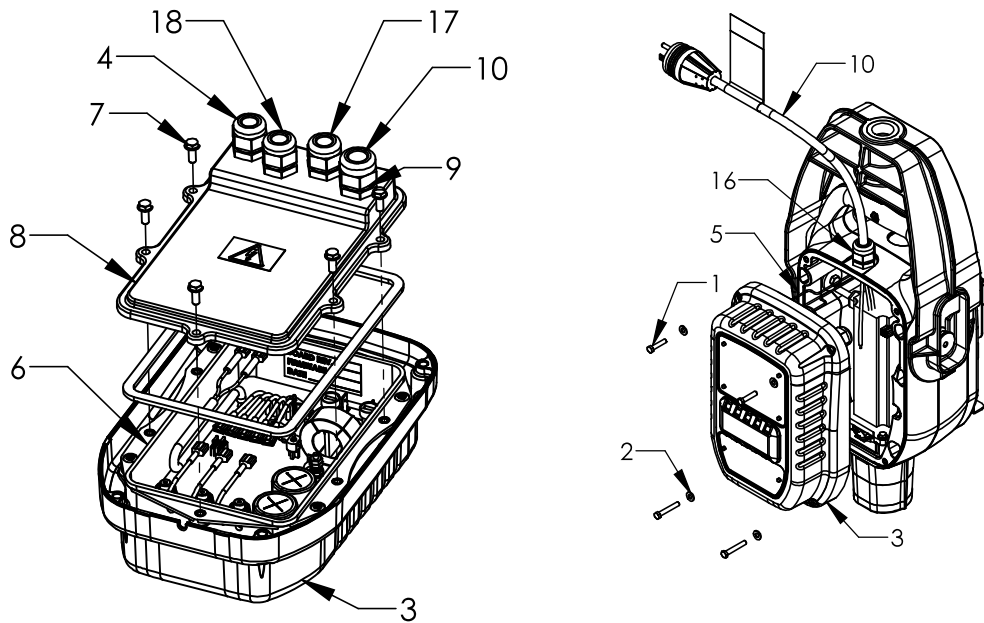
## POWER CORD REPLACEMENT (CONTINUED)

5. Open reusable, beaded cable ties (#15).
6. Remove power cord (#10) through strain relief (#9) on controller cover (#8) and through strain relief (#16) in motor housing (#5).
7. Feed new power cord (#10) through strain relief (#16) on motor housing (#5) and through power cord strain relief (#9) on controller cover (#8).
8. Attach black wire of power cord (#10) to L terminal in controller box, white wire to N terminal, and green wire to ground post G. See below for ground assembly. Torque all 3 nuts to 10-12 lb-in.



## POWER CORD REPLACEMENT (CONTINUED)

9. Tighten both beaded cable ties (#15) around power ground wire cord (#17), motor sensor cord ground wire, and motor sensor cord (#18).
10. Attach controller cover using 5 screws (#7). Apply Loctite 242 to screws then torque to 30-35 lb-in.
11. Tighten strain reliefs (#9) on controller cover (#8).
12. Reconnect switch wires (#4) to corresponding terminals inside motor housing (#5).
13. Reassemble drive unit by attaching rear cover (#3) to motor housing using 4 washers (#2) and screws (#1). Apply Loctite 242 to screws then torque to 30-35 lb-in.
14. Tighten power cord strain relief (#16) on motor housing (#5).



# CONTROLLER REPLACEMENT

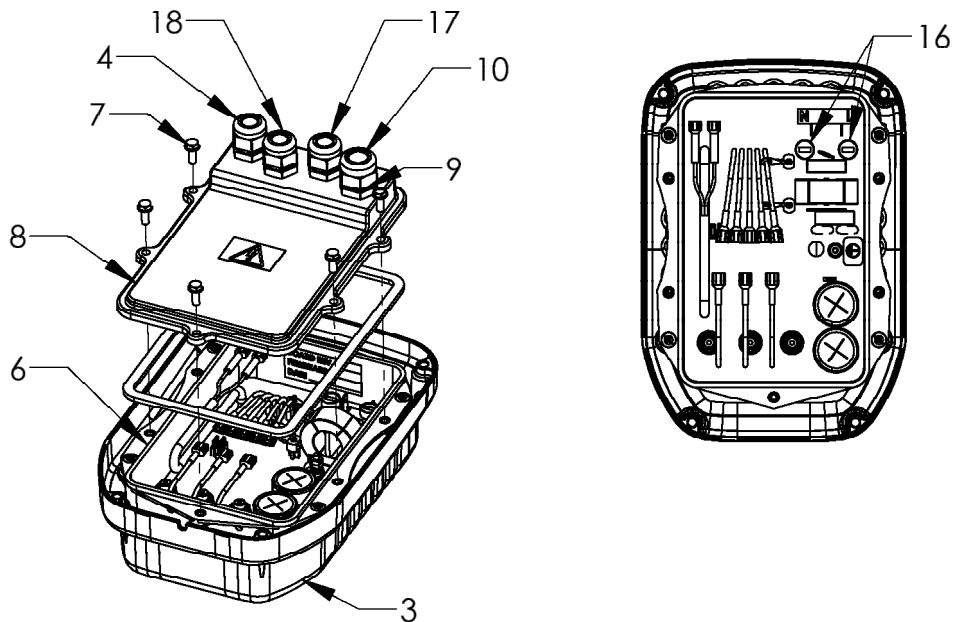


To avoid personal injury, always disconnect the power cord before performing any adjustments, disassembly/assembly, troubleshooting or cleaning.

Always disconnect the power and remove the tool from the driveline prior to servicing.

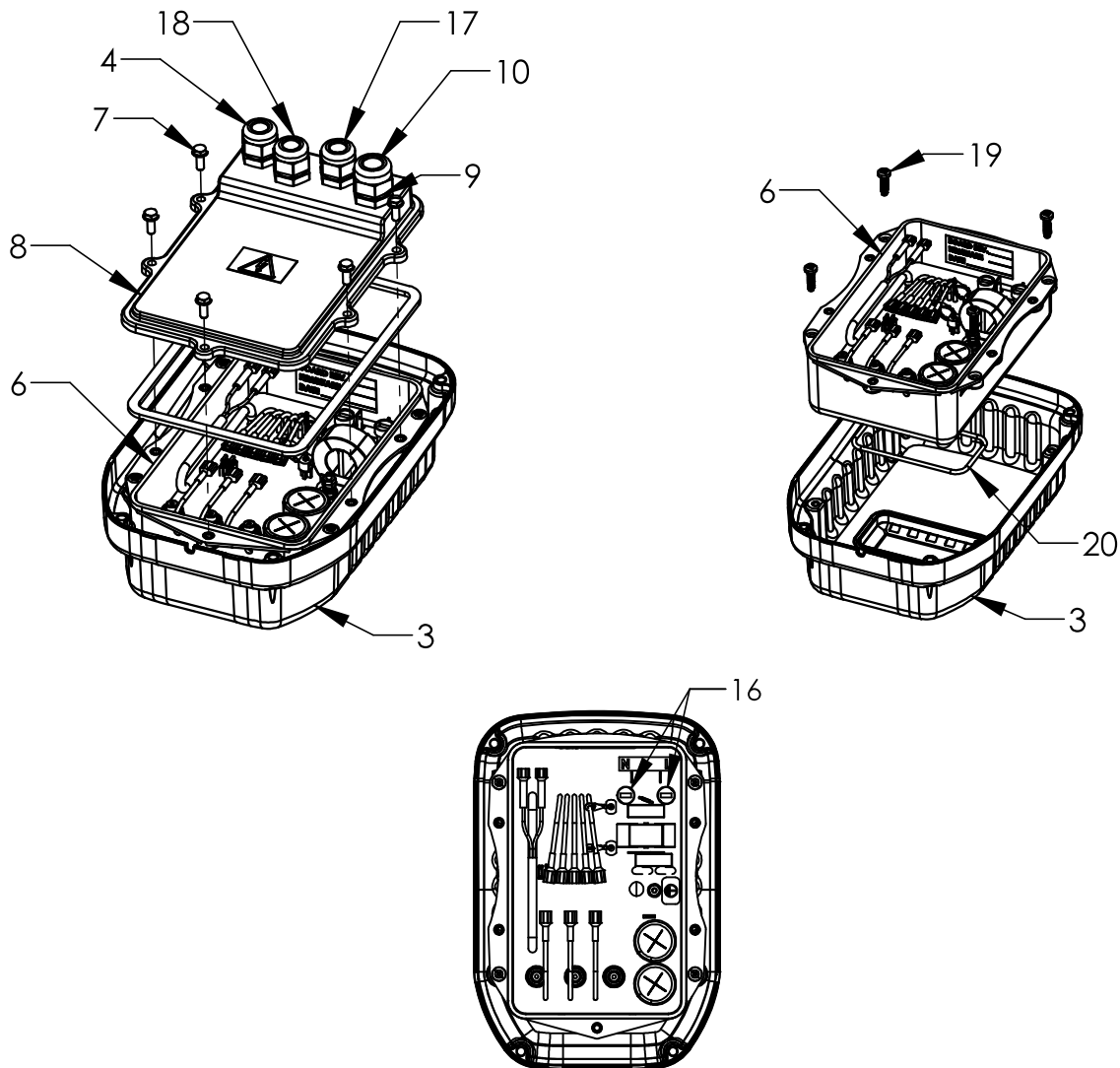
All electrical repairs should be completed by a qualified electrician or approved service provider.

1. Disassemble unit. Refer to Section 5, Disassembly.
2. Disconnect motor sensor cord (#18), motor power cord (#17), and power cord cable (#10) wires L, N and G.



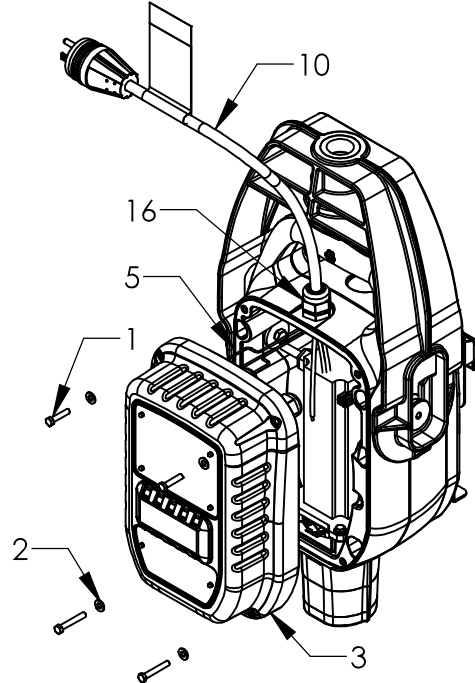
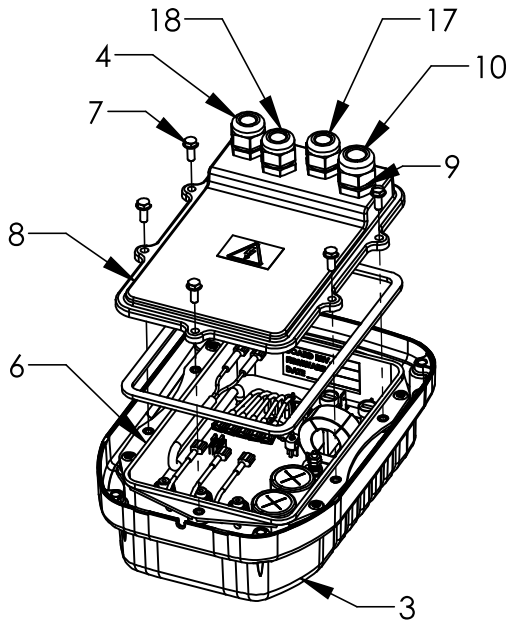
## CONTROLLER REPLACEMENT (CONTINUED)

3. Feed switch wire (#4) terminals trough strain relief (#9) one at a time to completely remove controller cover (#8).
4. Remove controller (#6) from rear cover by removing 4 screws (#19).
5. Place new seal (#20) and controller (#6) in rear cover (#3). Attach controller (#6) to rear cover (#3) using 4 screws (#19). Torque to 20-25 lb-in.
6. Insert switch wire (#4) terminals through designated strain relief (#9) one at a time.



## CONTROLLER REPLACEMENT (CONTINUED)

7. Reconnect motor sensor cord (#18), motor power cord (#17), and power cord cable (#10) wires L, N, and G.
8. Attach controller cover using 5 screws (#7). Apply Loctite 242 to screws then torque to 30-35 lb-in.
9. Tighten strain reliefs (#9) on controller cover (#8).
10. Reconnect switch wire (#4) terminals to corresponding terminals in motor housing (#5).
11. Reassemble drive unit by attaching rear cover (#3) to motor housing (#5) using 4 washers (#2) and screws (#1). Apply Loctite 242 to screws then torque to 30-35 lb-in.



## MOTOR REPLACEMENT



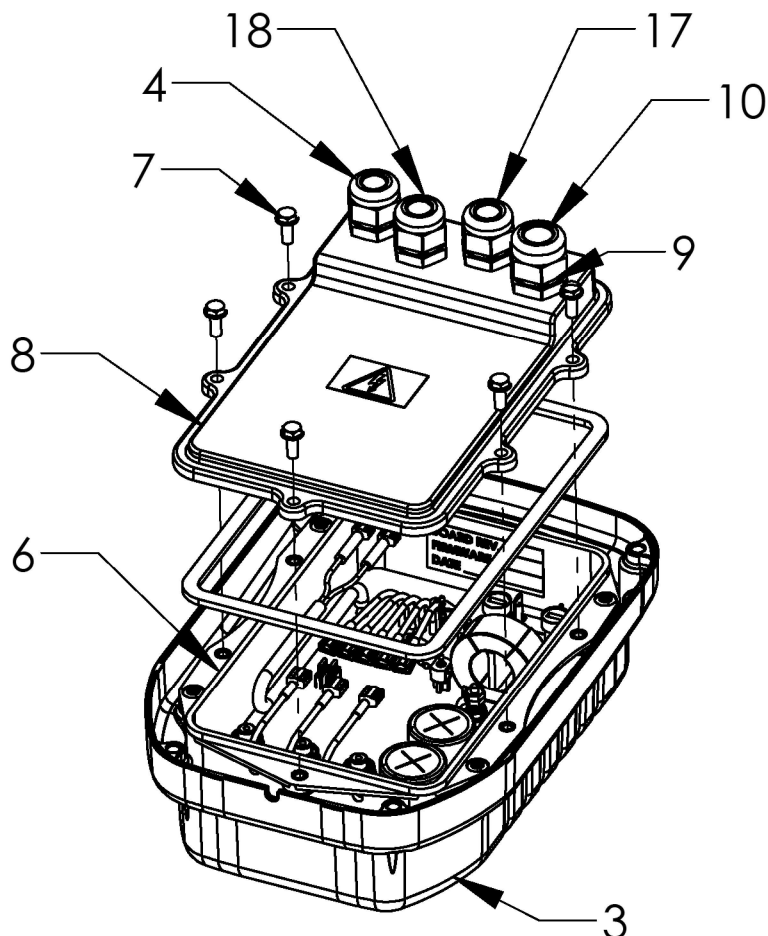
To avoid personal injury, always disconnect the power cord before performing any adjustments, disassembly/assembly, troubleshooting or cleaning.

Always disconnect the power and remove the tool from the driveline prior to servicing.

All electrical repairs should be completed by a qualified electrician or approved service provider.

1. Disassemble unit. Refer to Section 5, Disassembly.
2. Disconnect motor sensor cord (#18) and motor power cord (#17).

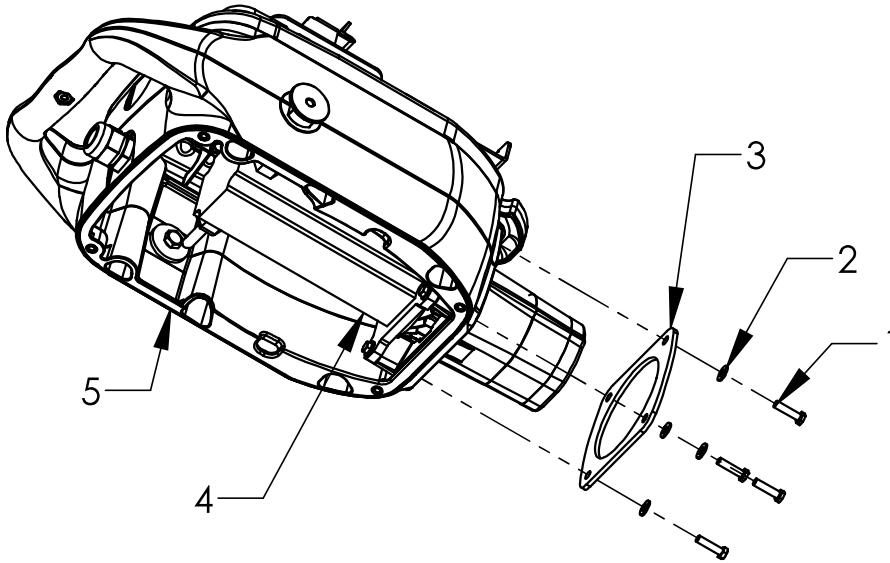
**Note:** Wire terminals will not fit through strain reliefs (#9). Completely remove motor sensor and power cord strain reliefs to remove wires.



## MOTOR REPLACEMENT (CONTINUED)

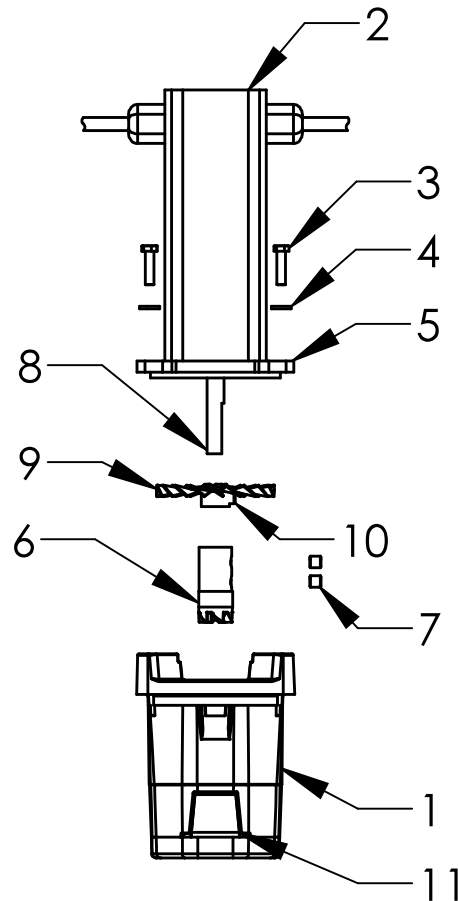
---

3. Remove 4 screws (#1) and washers (#2) from bottom of motor support plate (#3).
4. Lift motor assembly (#4) out of the motor housing (#5).



## MOTOR REPLACEMENT (CONTINUED)

5. Remove disconnect assembly (#1) from bottom of motor (#2) by removing 4 screws (#3) and washers (#4) from motor flange (#5).
6. Remove and save drive adapter (#6) by loosening 2 set screws (#7) and pulling drive adapter (#6) off end of motor shaft (#8).
7. Remove and save motor fan (#9) by loosening set screw (#10).





## MOTOR REPLACEMENT (CONTINUED)

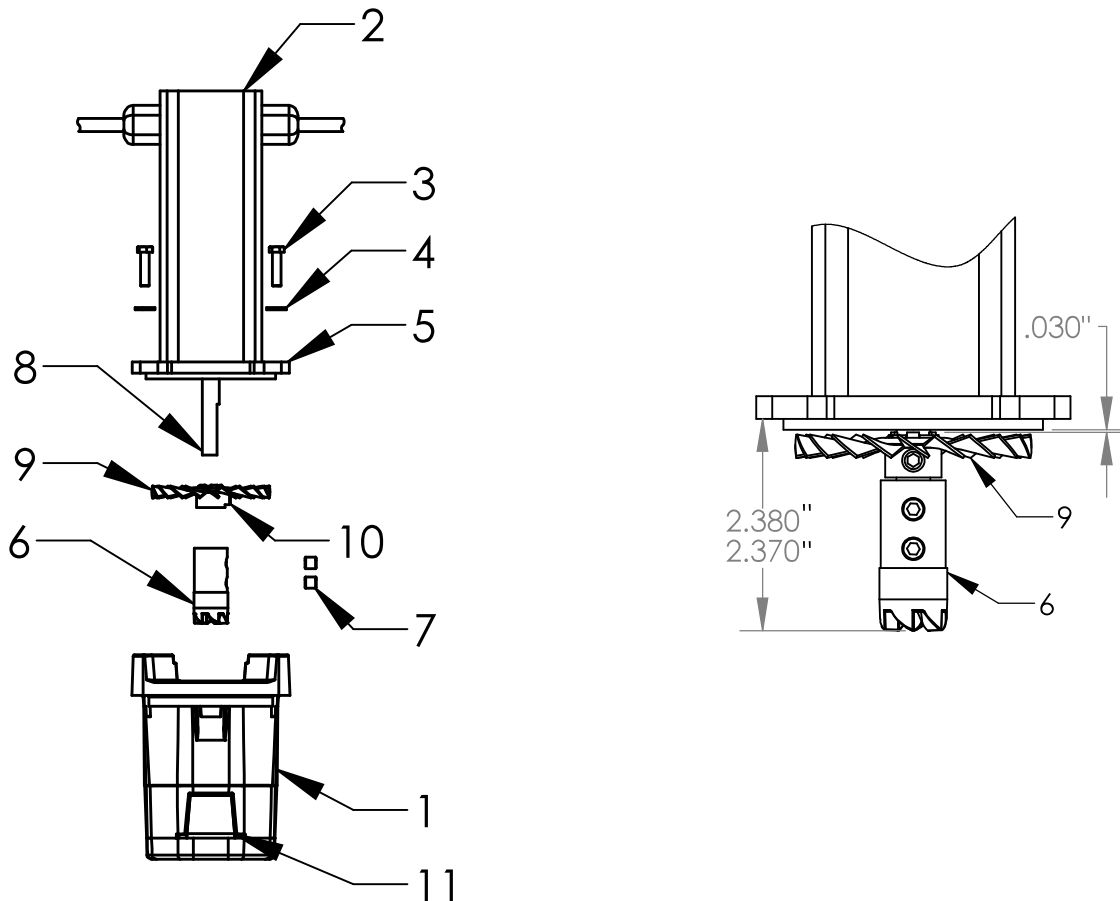
8. Mount motor fan (#9) to new motor shaft (#8) using set screw (#10). Apply Loctite 242 to screw then torque to 30-35 lb-in.

**IMPORTANT:** When mounting fan to the new motor, leave a gap of .030 in. between the fan hub and motor face.

9. Mount drive adapter (#6) to the flat side of the motor shaft (#8) using 2 set screws (#7). Apply Loctite 242 to screws then torque to 55-60 lb-in.

**IMPORTANT:** Apply anti-seize to motor shaft (#8) before mounting drive adapter (#6). When mounting drive adapter (#6) to the motor shaft (#8), leave 2.380 - 2.370 inches from the drive face to the motor flange (#5).

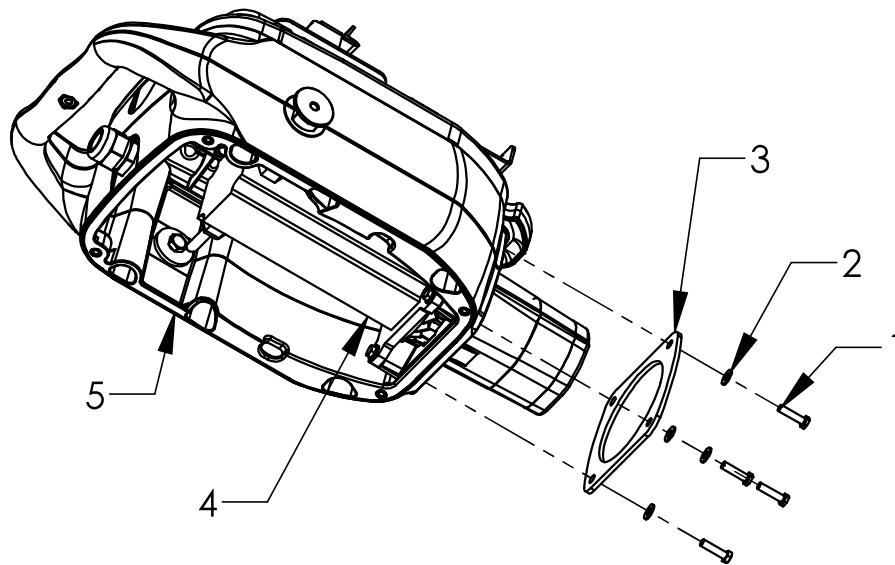
10. With driveline retainer latch (#11) facing forward and motor power cord (#12) (Red) on the right, align holes of disconnect assembly (#1) to holes in motor flange (#5). Attach using 4 washers (#4) and screws (#3). Torque to 30-35 lb-in.



## MOTOR REPLACEMENT (CONTINUED)

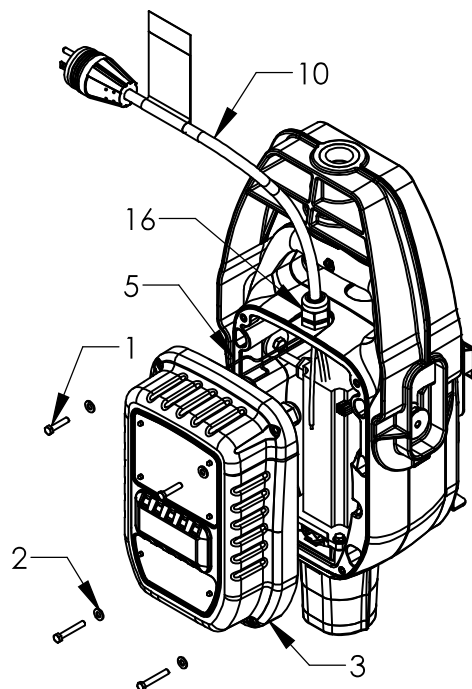
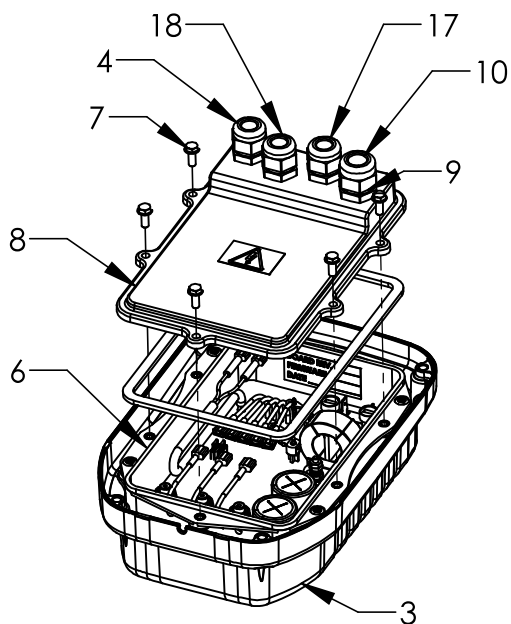
---

11. With driveline retainer latch facing switch lever (#6), place motor assembly (#4) into motor housing (#5).
12. Attach support plate (#3) using 4 washers (#2) and screws (#1). Torque to 30-35 lb-in.



## MOTOR REPLACEMENT (CONTINUED)

13. Feed motor sensor cord (#18) and motor power cord (#17) wire terminals with strain reliefs (#9) into controller cover (#8).
14. Attach strain relief lock nuts (#9) to back of controller cover (#8).
15. Connect motor sensor cord (#18) and motor power cord (#17) wire terminals to corresponding controller wires.
16. Attach controller cover (#8) using 5 screws (#7). Apply Loctite 242 to screws then torque to 30-35 lb-in.
17. Tighten strain reliefs (#9) on controller cover (#8).
18. Reconnect switch wire (#4) terminals to corresponding terminals in motor housing (#5).
19. Reassemble drive unit by attaching rear cover (#3) to motor housing (#5) using 4 washers (#2) and screws (#1). Apply Loctite 242 to screws then torque to 30-35 lb-in.



## DISCONNECT ASSEMBLY REPLACEMENT / REPAIR

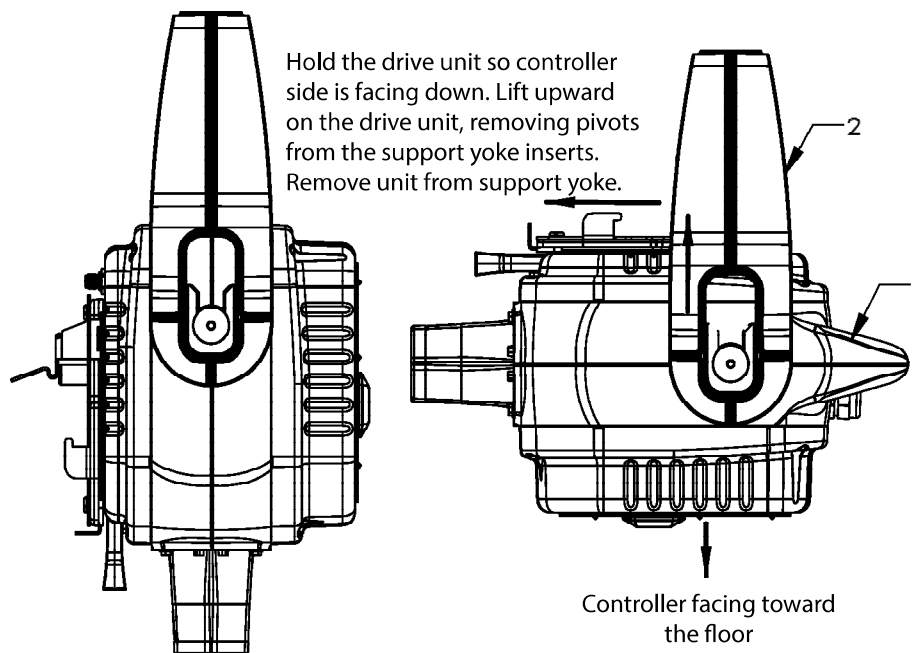


To avoid personal injury, always disconnect the power cord before performing any adjustments, disassembly/assembly, troubleshooting or cleaning.

Always disconnect the power and remove the tool from the driveline prior to servicing.

All electrical repairs should be completed by a qualified electrician or approved service provider.

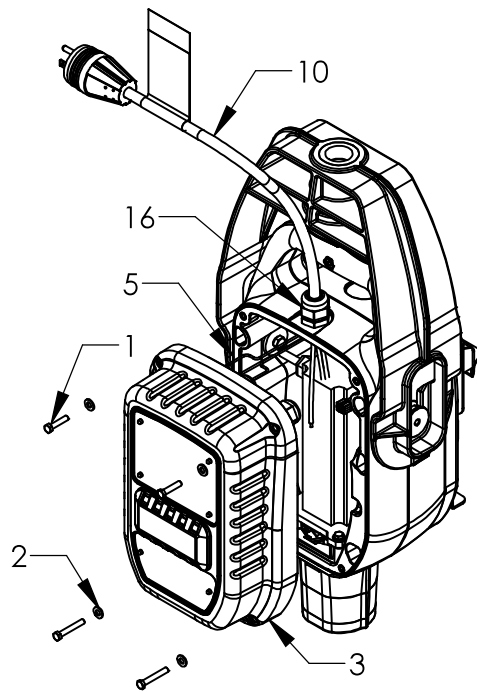
1. Unplug power and remove motor assembly (#1) from support yoke (#2) by pivoting and lifting as shown.



## DISCONNECT ASSEMBLY REPLACEMENT / REPAIR (CONTINUED)

---

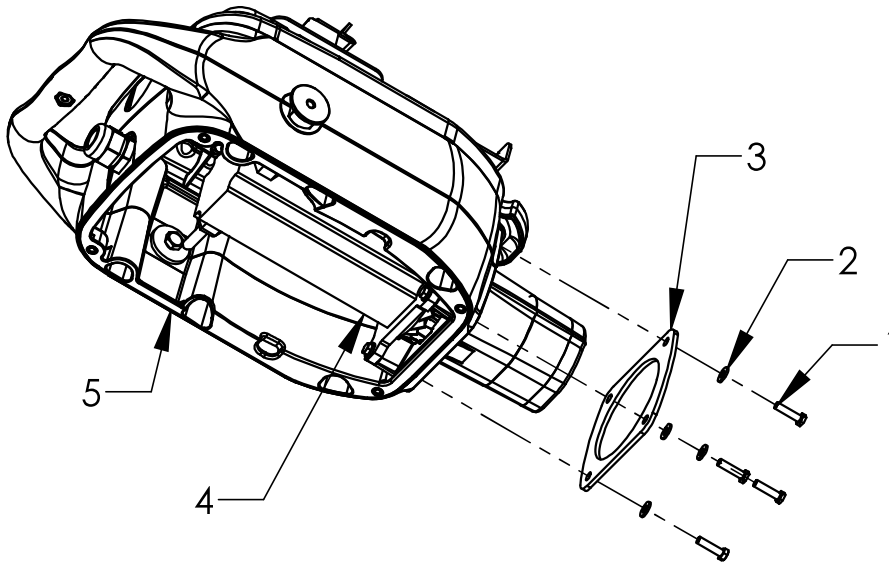
2. Remove 4 screws (#1) and washers (#2) from rear cover (#3).
3. Loosen power cord strain relief nut (#16).
4. Feed power cord (#10) through power cord strain relief (#16) as you open rear cover (#3).
5. Disconnect switch wire terminals inside motor housing (#5).



## DISCONNECT ASSEMBLY REPLACEMENT / REPAIR (CONTINUED)

---

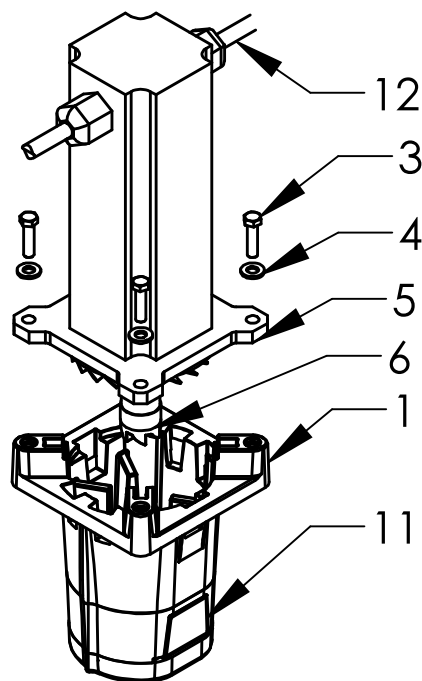
6. Remove 4 screws (#1) and washers (#2) from bottom of motor support plate (#3).
7. Lift motor assembly (#4) and attached rear cover/controller out of the motor housing (#5).



## DISCONNECT ASSEMBLY REPLACEMENT / REPAIR (CONTINUED)

---

8. Remove disconnect assembly (#1) from bottom of motor (#2) by removing 4 screws (#3) and washers (#4) from motor flange (#5).



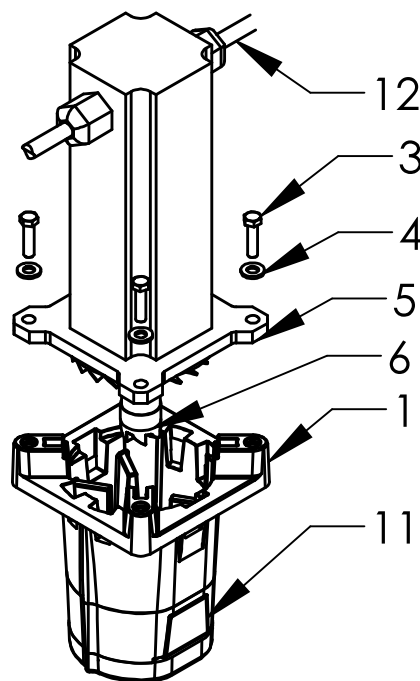
*Rear cover/controller not shown*

## DISCONNECT ASSEMBLY REPLACEMENT / REPAIR (CONTINUED)

---

### REPLACEMENT

1. With driveline retainer latch (#11) facing forward and motor power cord (#12) (Red) on the right, align holes of new disconnect assembly (#1) to holes in motor flange (#5). **Attach using 4 washers (#4) and screws (#3). Torque to 30-35 lb-in.**



*Rear cover/controller not shown*



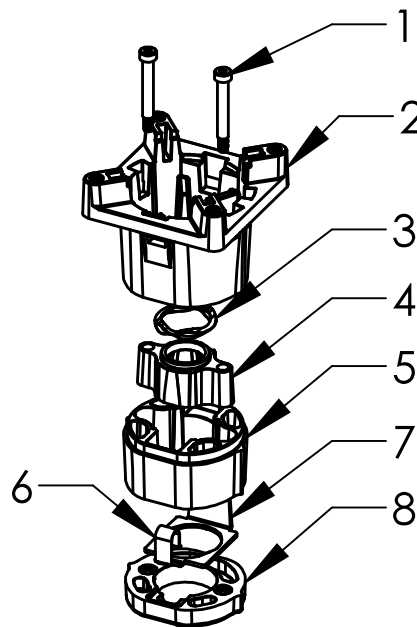
# DISCONNECT ASSEMBLY REPLACEMENT / REPAIR (CONTINUED)

---

## REPAIR

### DISASSEMBLE DISCONNECT ASSEMBLY

1. Using a 1/8" allen wrench, remove the two screws (#1) located inside the upper housing (#2) of the disconnect assembly.
2. Disassemble the components of the disconnect assembly.
3. Inspect and replace worn part(s).



## DISCONNECT ASSEMBLY REPLACEMENT / REPAIR (CONTINUED)

### REPAIR (CONTINUED)

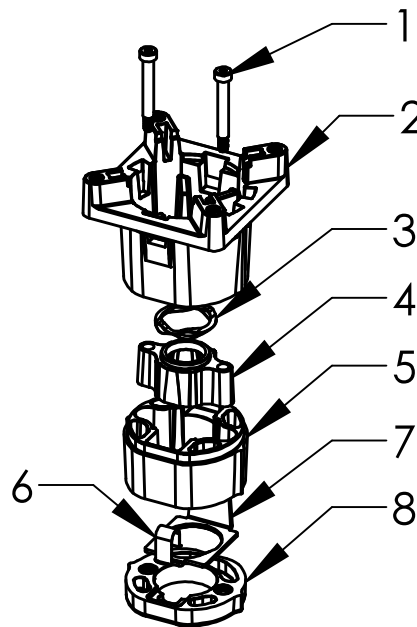
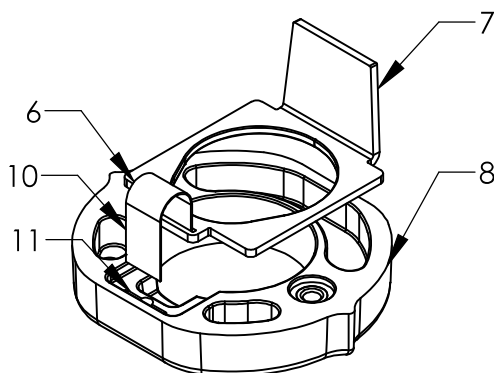
#### ASSEMBLE DISCONNECT ASSEMBLY

1. Place latch spring (#6) into latch slot (#9).
2. Set assembled latch (#7) and spring (#6) onto bottom cap (#8). Make certain spring leg (#10) fits into pocket (#11) of bottom cap (#8). This is the base for the disconnect assembly.
3. Carefully align and stack lower housing (#5), tapered collar (#4), wave spring (#3), and upper housing (#2) onto base. Make certain latch (#6) and tapered collar (#4) move freely.
4. Place screws (#1) into holes located inside upper housing (#2).

**NOTICE: Do not force screws (#1) into disconnect assembly. Screws (#1) should freely drop into place when components are correctly aligned.**

5. Test latch (#7) to make certain it moves freely before tightening screws (#1).
6. Tighten screws (#1).

**Torque to 15-18 lb-in.**



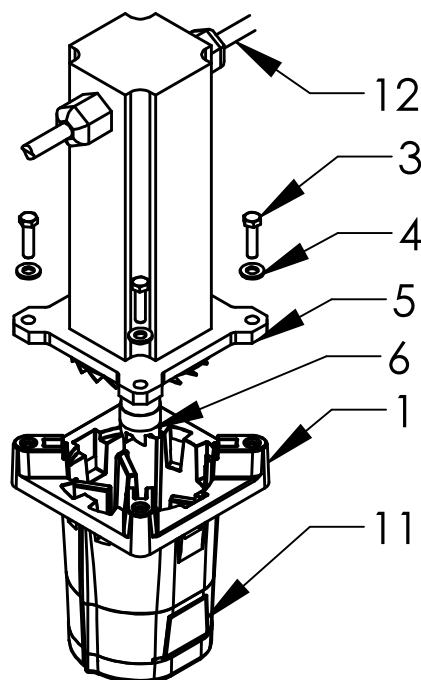
## DISCONNECT ASSEMBLY REPLACEMENT / REPAIR (CONTINUED)

---

### REASSEMBLE

1. With driveline retainer latch (#11) facing forward and motor power cord (#12) (Red) on the right, align holes of disconnect assembly (#1) to holes in motor flange (#5). Attach using 4 washers (#4) and screws (#3).

*Torque to 30-35 lb-in.*



*Rear cover/controller not shown*

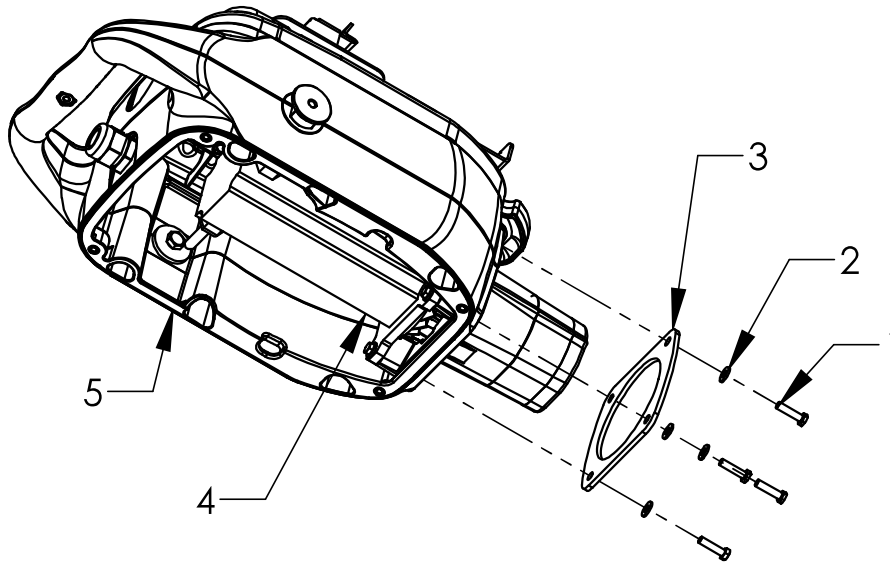
## DISCONNECT ASSEMBLY REPLACEMENT / REPAIR (CONTINUED)

---

### REASSEMBLE (CONTINUED)

2. With driveline retainer latch facing switch lever (#6), place motor assembly (#4) and rear cover/controller into motor housing.
3. Attach support plate (#3) using 4 washers (#2) and screws (#1).

*Torque to 30-35 lb-in.*



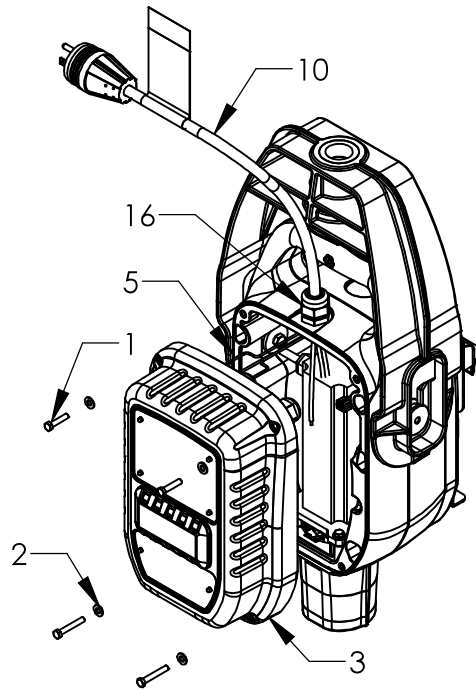
## DISCONNECT ASSEMBLY REPLACEMENT / REPAIR (CONTINUED)

---

### REASSEMBLE (CONTINUED)

4. Reconnect switch wire terminals to corresponding terminals in motor housing (#5).
5. Reassemble drive unit by attaching rear Cover (#3) to motor housing (#5) using 4 washers (#2) and screws (#1).

*Apply Loctite 242 to screws then torque to 30-35 lb-in.*



## SWITCH REPLACEMENT

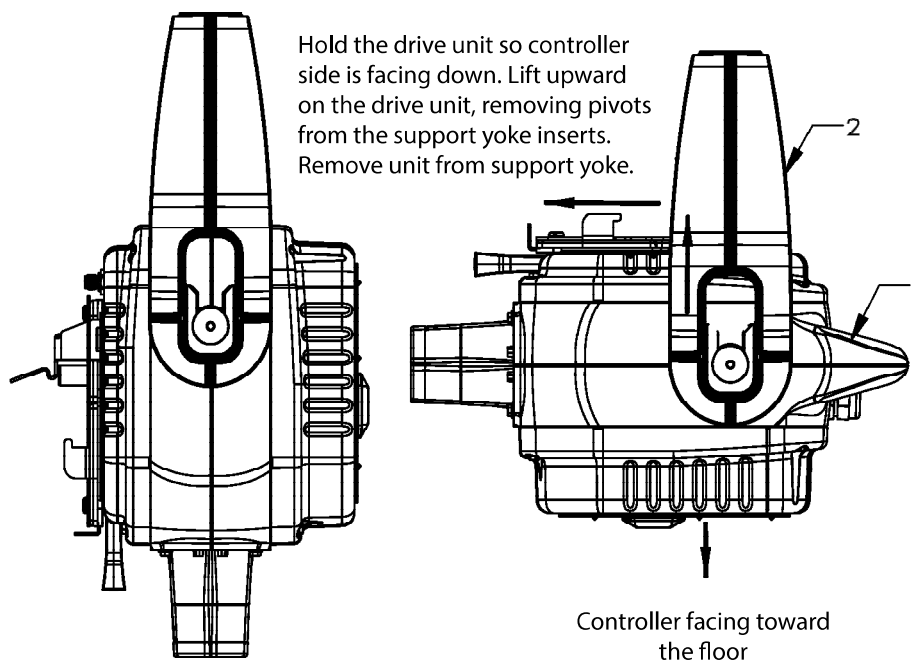


To avoid personal injury, always disconnect the power cord before performing any adjustments, disassembly/assembly, troubleshooting or cleaning.

Always disconnect the power and remove the tool from the driveline prior to servicing.

All electrical repairs should be completed by a qualified electrician or approved service provider.

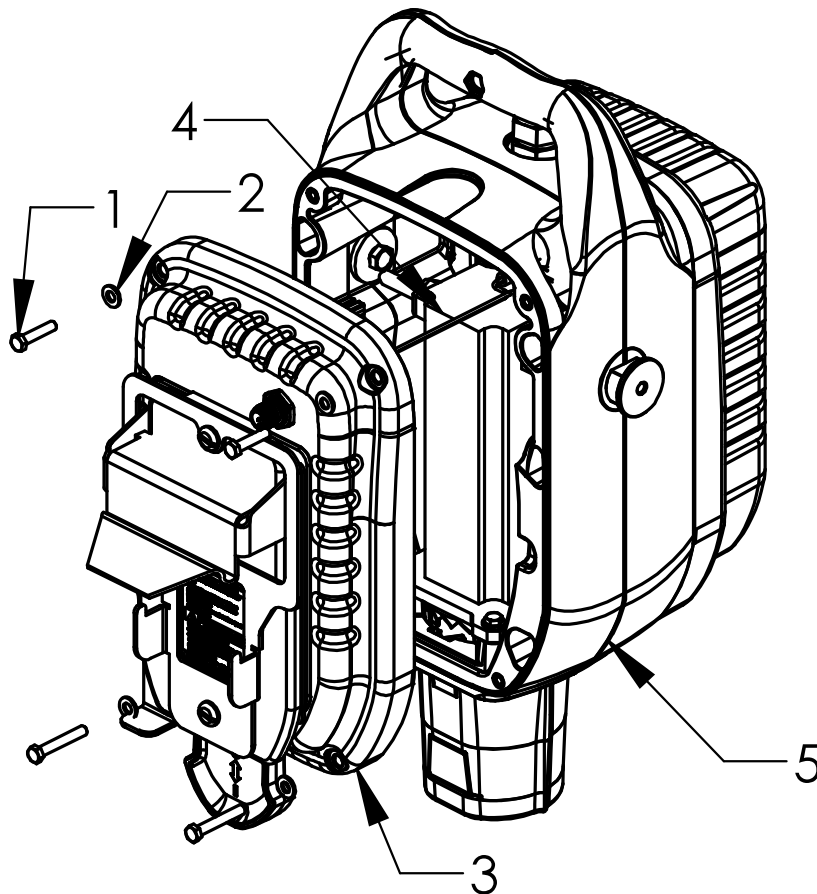
1. Unplug power and remove motor assembly (#1) from support yoke (#2) by pivoting and lifting as shown.



## SWITCH REPLACEMENT (CONTINUED)

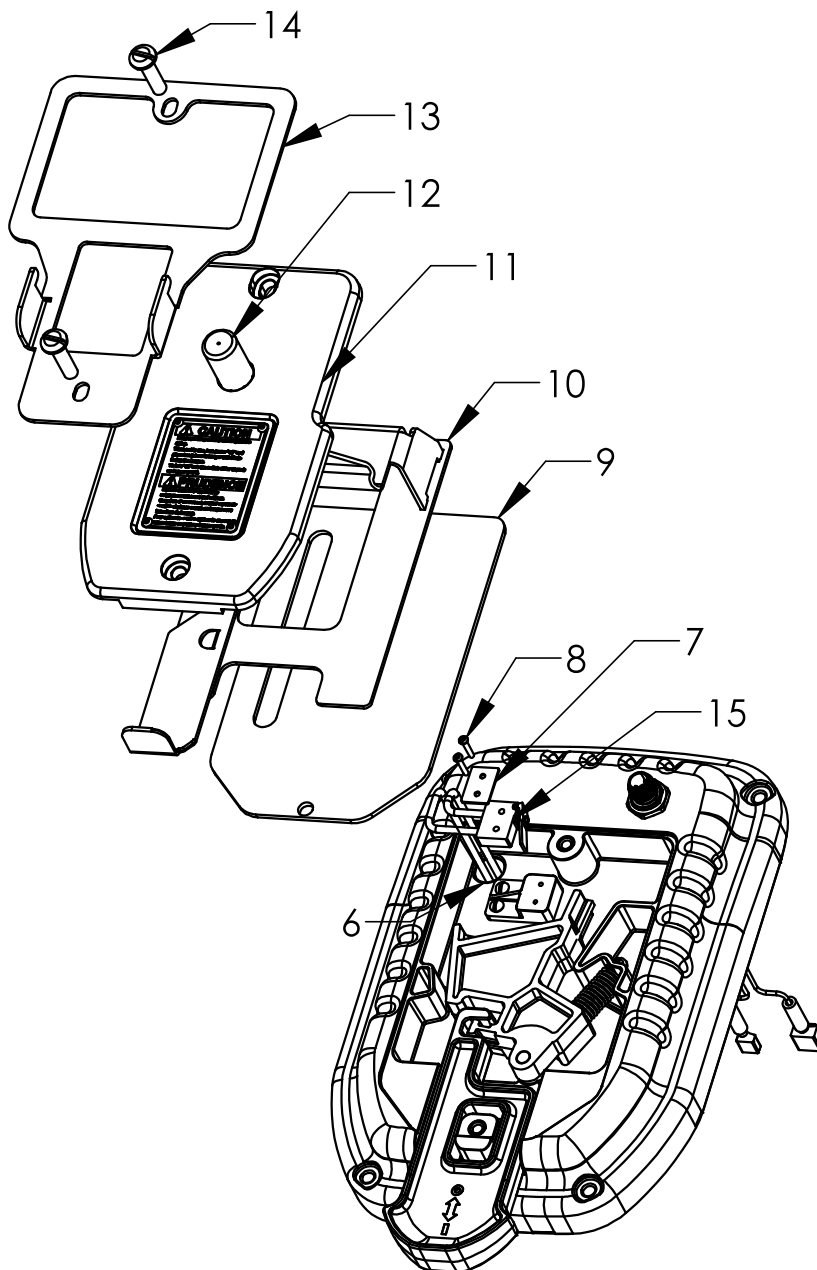
---

2. Remove 4 screws (#1) and washers (#2) from front cover (#3).
3. Disconnect switch wires by carefully disconnecting wire terminals inside motor housing (#5).



## SWITCH REPLACEMENT (CONTINUED)

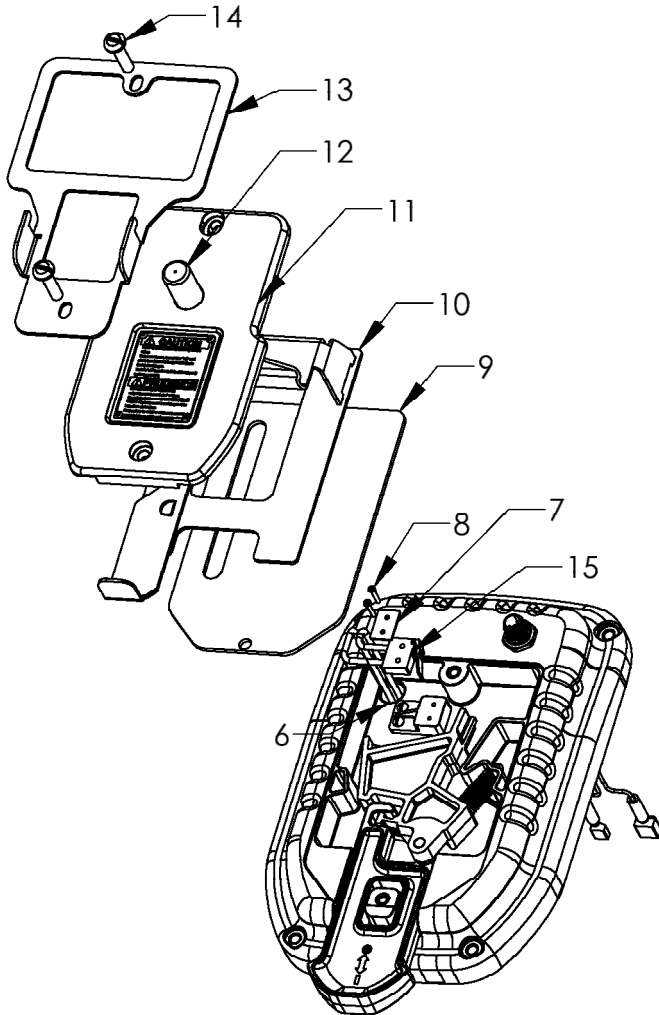
4. Remove 2 striker plate screws (#14) to remove striker plate (#11), peg (#12), guard assembly (#10) and cover plate (#9).
5. To remove switch (#15), remove 2 screws (#8) and retaining plate (#7) from switch assembly. Remove old switch (#15) by pulling switch wires through the access hole (#6) in the switch assembly.
6. Feed new switch wires through access hole (#6) in switch assembly.



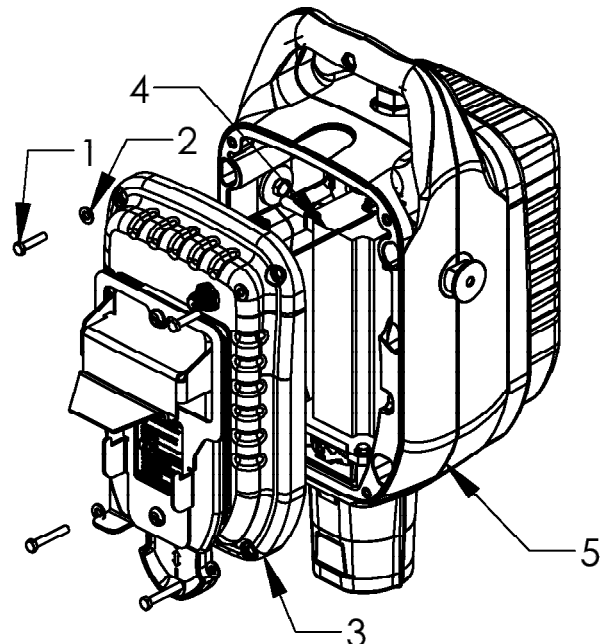


## SWITCH REPLACEMENT (CONTINUED)

7. Attach switch (#15) using 2 screws (#8) and retaining plate (#7). Position the retaining plate (#7) so that it covers the switch lever hinge point. Apply Loctite 222 MS to screws then torque to 3 lb-in.
8. Reinstall cover plate (#9), guard assembly (#10), peg (#9), and striker plate (#11) using 2 screws (#14). Apply Loctite 242 to screws then torque to 30-35 lb-in.
9. Connect switch wires by carefully connecting corresponding wire terminals inside motor housing (#5). The connections should be sealed with shrink tube.
10. Reinstall front cover (#3) to motor assembly (#4) using 4 screws (#1) and washers (#2). Apply Loctite 242 to screws then torque to 30-35 lb-in.



SHRINK TUBE  
1/2" D X 1" LONG



## FUSE REPLACEMENT

---



To avoid personal injury, always disconnect the power cord before performing any adjustments, disassembly/assembly, troubleshooting or cleaning.

Always disconnect the power and remove the tool from the driveline prior to servicing.

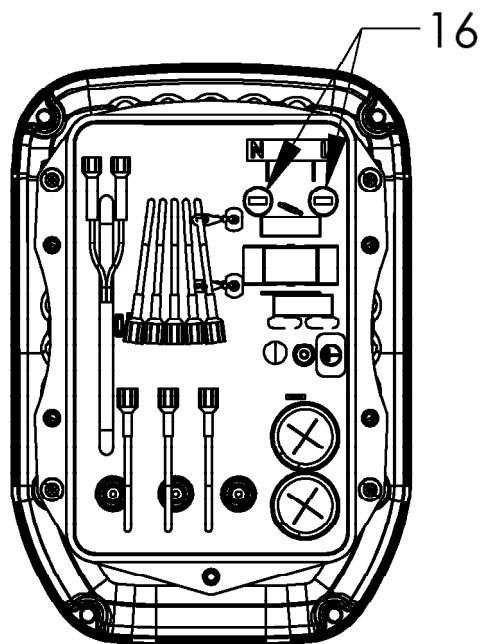
All electrical repairs should be completed by a qualified electrician or approved service provider.

---

1. Disassemble unit. Refer to Section 5, Disassembly.

*You can now access fuses and replace if required. Fuses (#16) are located in the two black housings on controller and can be removed by unscrewing center cap.*

*Refer to Section 7, Whizard Quantum® Controller Assembly to order fuses.*



*\*Reassembly is the reversal of these directions.*

## FAULT DETECTION AND CORRECTION

Problem	Probable Cause	Remedy
Switch on, motor will not start	No input power	Check power plug. Check input power.
	Power switch failure	Check power at switch wires. Replace switch.
	Motor failure	Check connections inside control panel assembly. Replace motor.
	Controller failure	Replace controller.
	Fuse blown	Check fuses.
	Tool is locked up	Make certain tool is not jammed with product.
Motor stops while operating	Motor failure	Replace motor.
	Brown out	Cycle switch lever.
	Excessive torque	Cycle switch lever.
Remote start not working	Bent lever not activating switch	Bend lever back into place.
	Damaged wires	Replace drive line or remote start unit.
	Damaged pins on connector	Replace connector.

THIS PAGE HAS BEEN LEFT  
BLANK INTENTIONALLY

## SECTION 6

# Cleaning

---

Cleaning

68

To avoid personal injury, always disconnect the power cord before performing any adjustments, disassembly / assembly, trouble shooting or cleaning.

Always disconnect the power and remove the tool from the driveline prior to servicing.

The recommended cleaning solution for the Whizard Quantum™ Drive Unit is eXtra® Heavy Duty Cleaner.

eXtra® Heavy Duty Cleaner, (PN: 184332), is a concentrated cleaner and degreaser for food processing equipment. Contact Bettcher Industries, Inc. for details.

Do not submerge or directly spray drive unit. Damage could occur and may void the warranty. Clean with damp cloth or sponge only. Dry after cleaning.

**NOTICE****NOTICE**

## CLEANING

---

The Whizard Quantum® Drive is of wash down construction and the following cleaning procedure is recommended: Wipe the outside of the motor and controller housing with mild detergent or cleaner with a pH less than 9.

The hanger assembly should be disassembled and cleaned periodically. Remove the two screws that hold the striker plate in place and remove the striker plate, peg, guard, cover plate, actuator, spring and slider. Wash all the parts with mild detergent or cleaner with a pH less than 9. Inspect the inside of the hanger housing and clean in the same manner, if needed. Dry all parts and reassemble.

For best results, clean with Bettcher® eXtra© Heavy Duty Cleaner. eXtra© Heavy Duty Cleaner is a concentrated cleaner and degreaser for food processing equipment. Dilute according to the directions on the container.

## SECTION 7

# Service parts

---

Whizard Quantum® Motor assembly	70
Whizard Quantum® Drive assembly	72
Whizard Quantum® Disconnect assembly	74
Whizard Quantum® Switch assembly	76
Whizard Quantum® Controller assembly	78
Also available	79

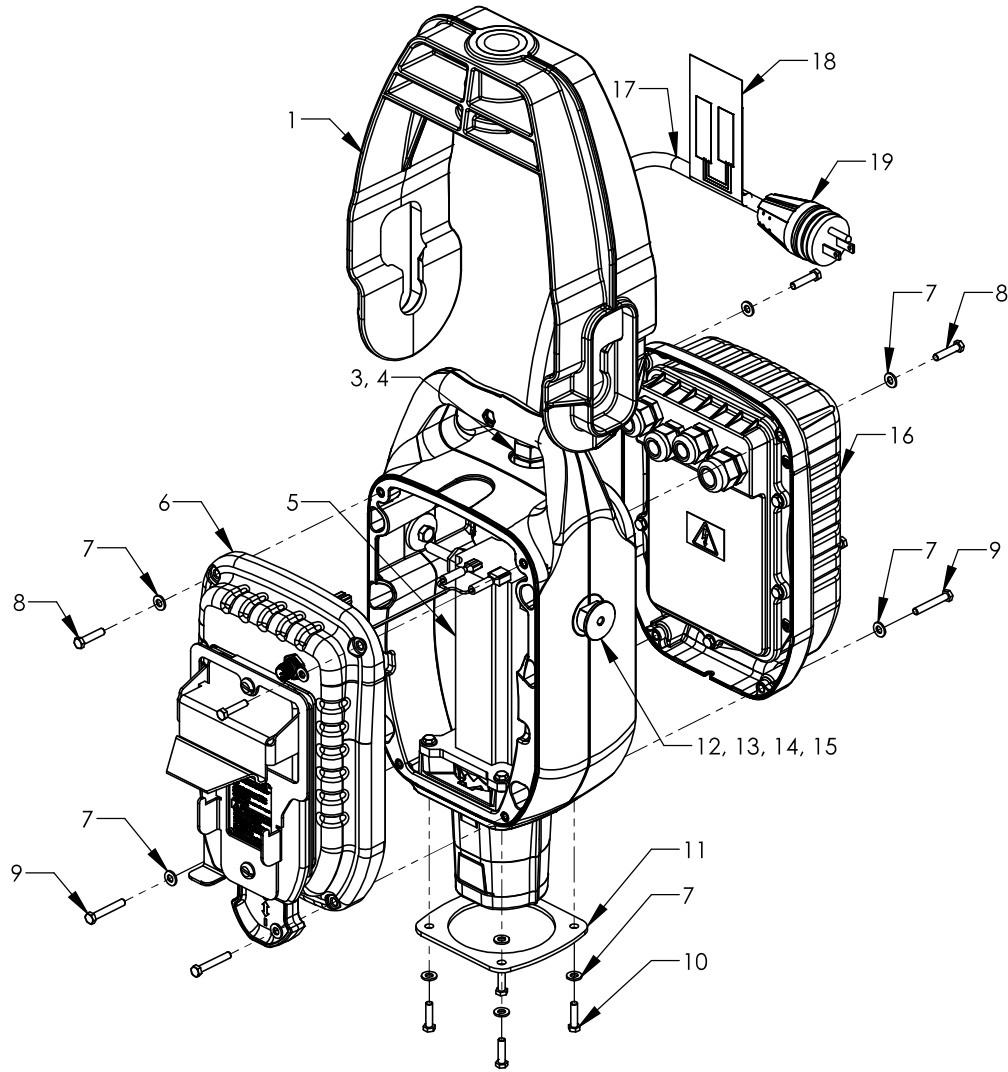
The manufacturer assumes no liability for any unauthorized changes in operating procedures or for unauthorized changes or modifications made to the design of the machine or any factory-installed safety equipment, whether these changes are made by the owner of this equipment, by his employees, or by service providers not previously approved by Bettcher Industries, Inc.



Use only replacement parts manufactured by Bettcher Industries, Inc. Use of substitute parts will void the warranty and may cause injury to operators and damage to equipment.

The use of parts other than those listed in the parts list for the specific model may cause blade lock-up, resulting in an unsafe operating condition.

# WHIZARD QUANTUM® MOTOR ASSEMBLY





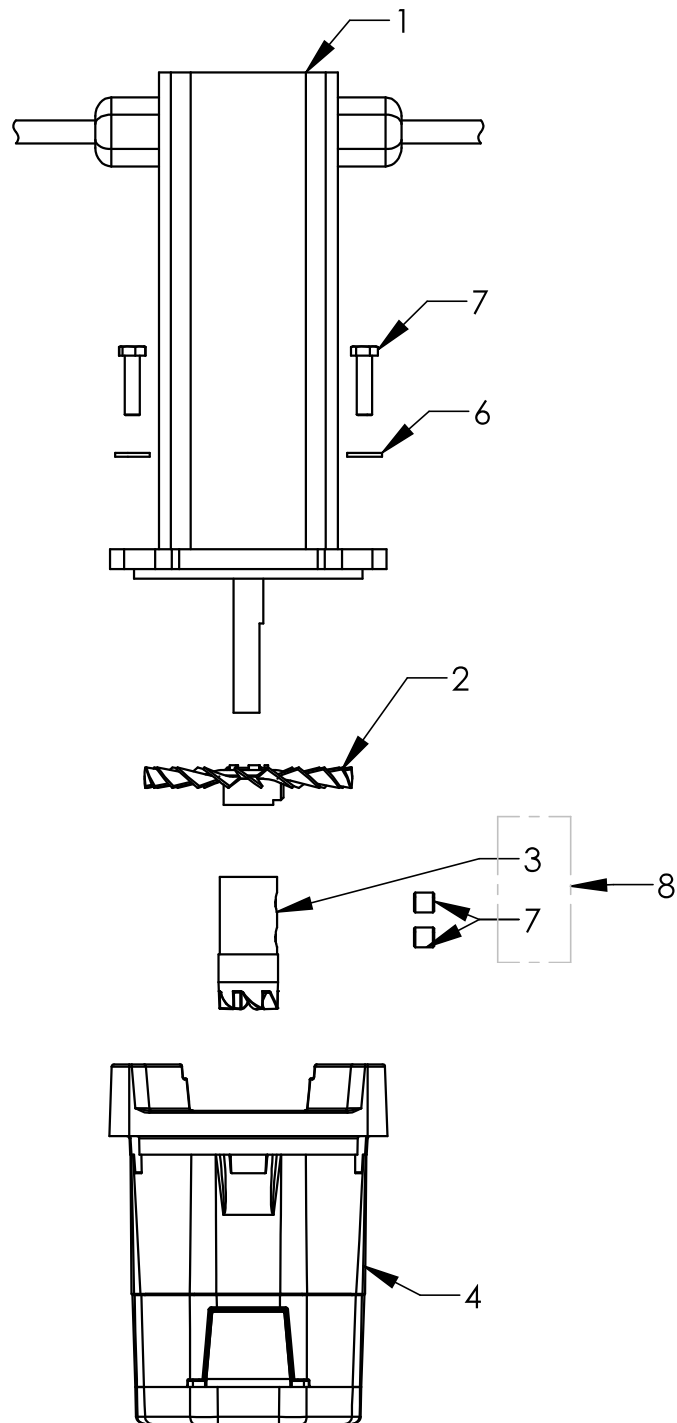
## WHIZARD QUANTUM® MOTOR ASSEMBLY (CONTINUED)

---

Item	Description	PART No.	Quantity
1	Support yoke	107247	1
2	Frame assembly	189006	1
3	Strain relief	123002	1
4	Lock nut	189037	1
5	Drive assembly	REF	1
6	Switch assembly	REF	1
7	Washer	123528	12
8	Screw 7/8"	122206	4
9	Screw 1-1/4"	123288	4
10	Screw 3/4"	120766	4
11	Support plate	189024	1
12	Pivot	189025	2
13	Large washer	189026	2
14	Lock washer	120220	2
15	Hex screw 3/4"	121408	2
16a	Controller assembly, Whizard Quantum Drive "Skinner" (115V)	REF	1
16b	Controller assembly, Whizard Quantum Drive "Skinner" (230V)	REF	---
17a	Power cord (115V)	189040	1
17b	Power cord (230V)	103027	---
18	Wire tag	189039	1
19	Plug (115V only)	103413	1

# WHIZARD QUANTUM® DRIVE ASSEMBLY

---



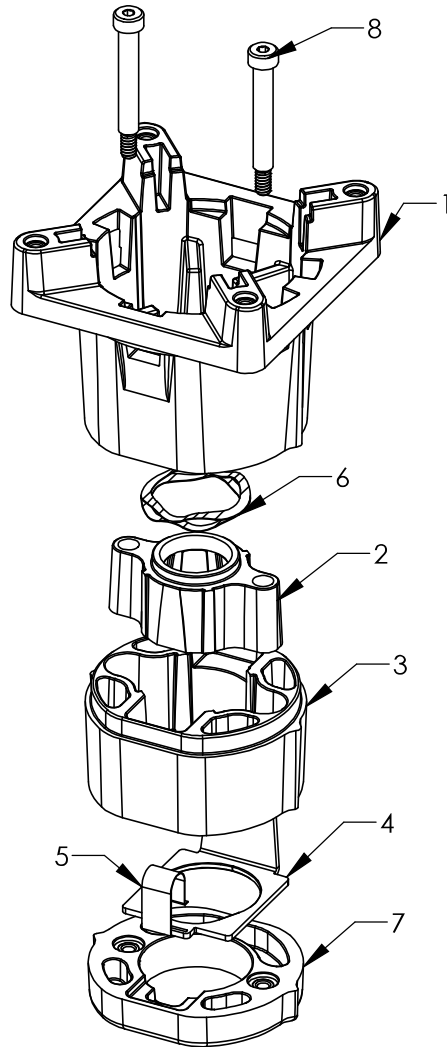
## WHIZARD QUANTUM® DRIVE ASSEMBLY (CONTINUED)

---

Item	Description	PART No.	Quantity
1	Motor	189034	1
2	Fan & set screw	189036	1
3	Drive adapter	103748	1
4	Disconnect assembly	189053	1
5	Set screw	123117	2
6	Washer	123528	4
7	Screw	120766	4
8	Motor driver kit	103881	1

# WHIZARD QUANTUM® DISCONNECT ASSEMBLY

---

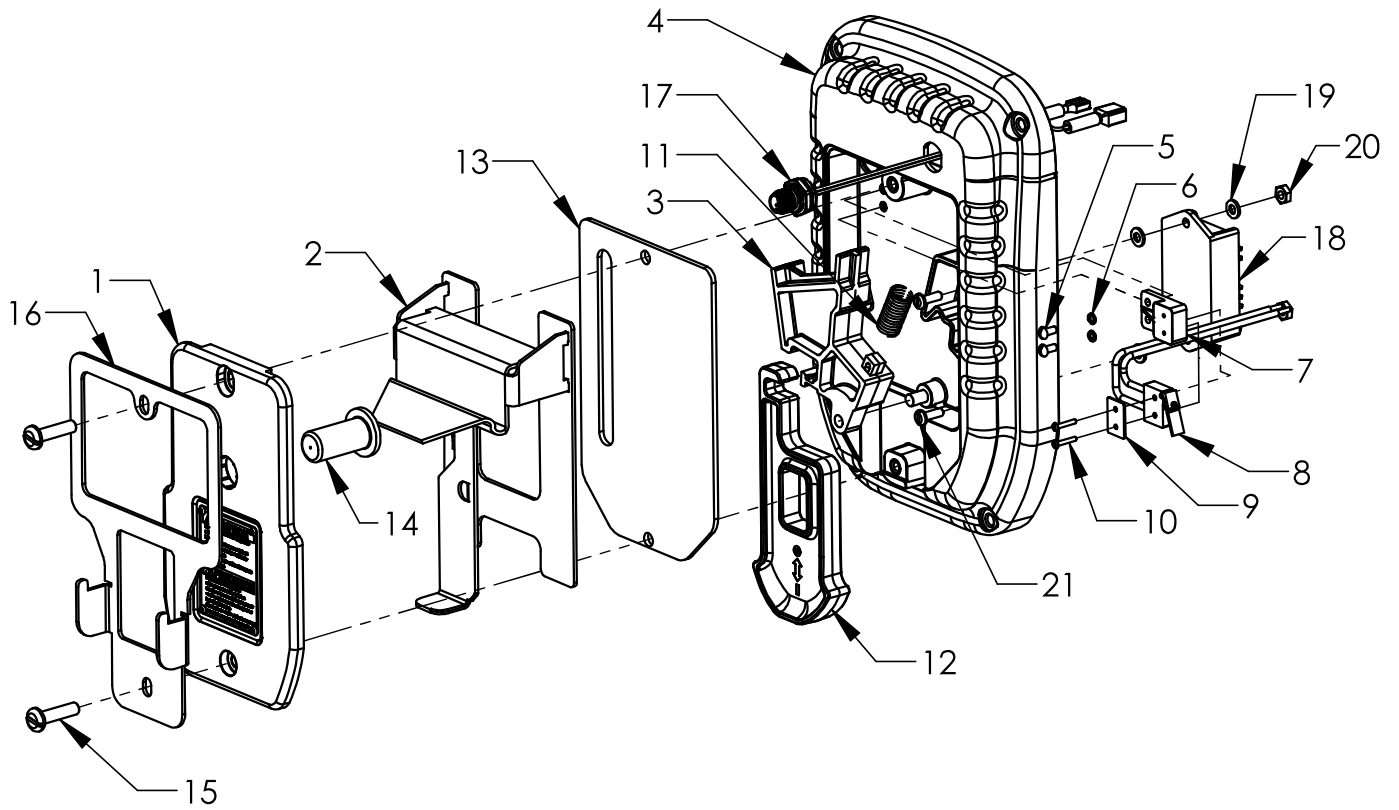


## WHIZARD QUANTUM® DISCONNECT ASSEMBLY (CONTINUED)

---

Item	Description	PART No.	Quantity
1	Upper housing	189054	1
2	Tapered collar	189082	1
3	Lower housing	100638	1
4	Latch	189057	1
5	Latch spring	189058	1
6	Wave spring	189063	1
7	Bottom cap	189076	1
8	Screw	189061	2

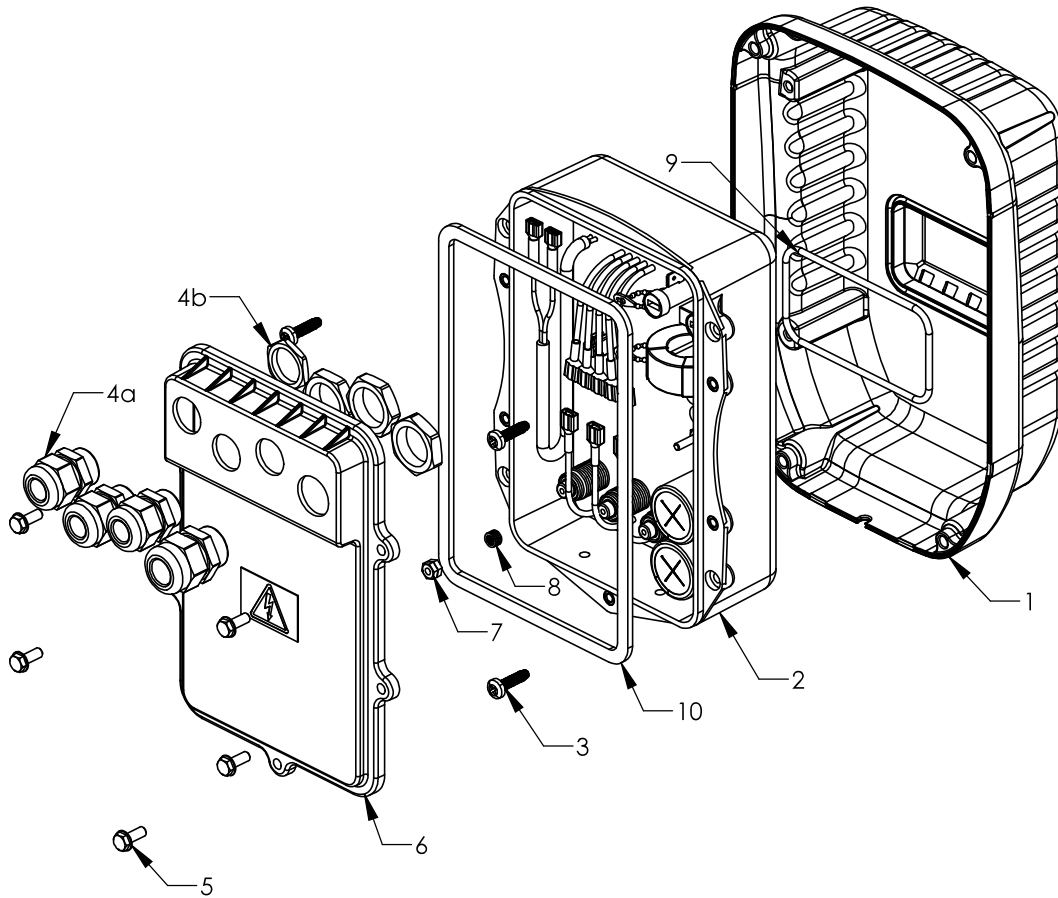
# WHIZARD QUANTUM® SWITCH ASSEMBLY



## WHIZARD QUANTUM® SWITCH ASSEMBLY (CONTINUED)

Item	Description	PART No.	Quantity
1	Striker plate	189010	1
2	Guard assembly	189028	1
3	Actuator	163550	1
4	Front cover, yellow, Whizard Quantum® Drive	119725	1
5	Screw 5/16"	120144	2
6	Lock washer	120233	2
7	Switch mount	163669	1
8	Switch kit (includes terminals)	189038	1
8a	Terminal (not shown)	124967	2
9	Retaining plate	183134	1
10	Screw 1/2"	123260	2
11	Spring	121622	1
12	Switch lever	189008	1
13	Cover plate	189027	1
14	Peg	163418	1
15	Screw 1"	123255	2
16	Skinner hanger	108283	1
17	M12 connector	118927	1
18	Switch isolator module	119668	1
19	#8 washer	120260	4
20	#8-32 hex nut	120301	2
21	#8-32 screw	123109	2
22	Wire assembly	119823	1
23	Wire assembly	119824	1

# WHIZARD QUANTUM® CONTROLLER ASSEMBLY





## WHIZARD QUANTUM® CONTROLLER ASSEMBLY (CONTINUED)

---

Item	Description	PART No.	Quantity
1	Rear cover, yellow, Whizard Quantum Drive	189012	1
2a	Controller, 115v, Whizard Quantum Drive "Skinner"	108421	1
2b	Controller, 230v, Whizard Quantum Drive "Skinner"	108422	1
3	Self tapping screw	189011	4
4a	Strain relief pg11	123002	4
4b	Lock nut (supplied with 123002)	REF	4
5	Washer head screw	123258	5
6	Controller cover	189014	1
7	Nut	120336	2
8	Lock washer	120240	5
9	Seal	189050	1
10	Cover gasket	189086	1
11	Fuse (not shown)	101715	2

### ALSO AVAILABLE

Item	Description	PART No.
1	Extra® heavy duty cleaner (1 case)	184331
2	Extra® heavy duty cleaner (1 gallon)	184332
3	Driver adapter set gauge	103149

THIS PAGE HAS BEEN LEFT  
BLANK INTENTIONALLY

# SECTION 8

# CONTACT AND DOCUMENT INFORMATION

---

Contact address and phone

82

Document identification

83

## CONTACT ADDRESS AND PHONE

---

For additional information, technical support and spare parts, contact your Regional Manager, Distributor, or Bettcher Representative:

### **Bettcher Industries, Inc.**

6801 State Route 60

Birmingham

USA

Tel: +1 440/965-4422

Fax: +1 440/328-4535

### **BETTCHEER GmbH**

Pilatusstrasse 4

CH-6036 Dierikon

Switzerland

Tel: +011-49-32-221-850-896

Fax: +011-41-41-348-0229

### **Bettcher do Brasil Comércio de Máquinas Ltda.**

Av. Fagundes Filho, 145 Cj 101/102 - São Judas São Paulo - SP

CEP 04304-010

Brazil

Tel: +55 11 4083 2516

Fax: +55 11 4083 2515

## DOCUMENT IDENTIFICATION

---

Copies of this Operation Instruction may be ordered by quoting the Document ID as listed below:

Document ID: Manual # 119834

Document Description: Operating Instructions and Spare Parts List  
for the Whizard Quantum® Drive

Re-Issued: Date: August 1, 2022

Operating Instructions for Whizard Quantum® Drive may be requested by quoting the model designation of the tool as shown on the identification plate on the Whizard Quantum® Drive.

## SOFTWARE AND DUPLICATION

For more information, contact your local Representative or:

Bettcher Industries, Inc.

Administrative Assistant/Engineering Department PO Box 336

Vermilion, Ohio 44089 USA

# BETTCHER®

---

MANUAL #119834, RE- ISSUED: AUGUST 1, 2022